

pottery barn kids

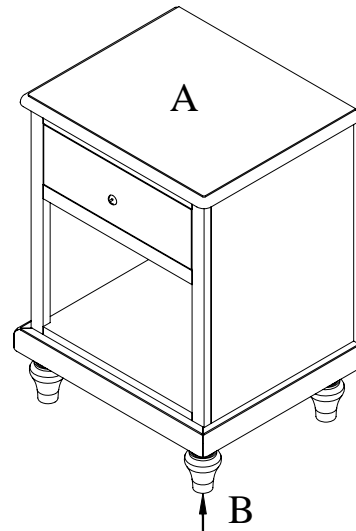
BERKELEY NIGHTSTAND

PRE-ASSEMBLY:

- Read all instructions before beginning assembly. The illustrations provided allow for easier assembly when used in conjunction with the assembly instructions.
- For your safety and ease, assembly by two adults is recommended.
- Remove all parts and hardware from the box and lay out on a clean, carpeted, or scratch-free work surface. Use care as some parts or hardware may have sharp points or edges.
- Do not dispose of any contents until assembly is completed to avoid accidentally discarding small parts or hardware.
- Use the parts and hardware lists to identify and separate each of the pieces included.
- Note: Do not fully tighten all bolts until all parts are in place. Failure to follow these instructions may cause the bolts to misalign during assembly.
- The use of power tools for assembly is not recommended. Power tools can damage hardware or split wood.

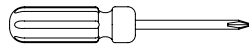
PARTS INCLUDED:

- (A) Nightstand- 1pc
- (B) Leg - 4pcs



TOOLS REQUIRED:

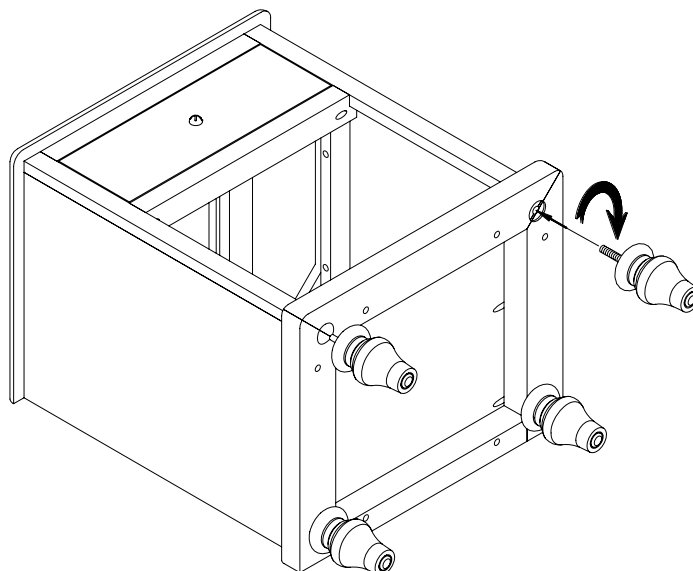
Phillips head screwdriver (not included)



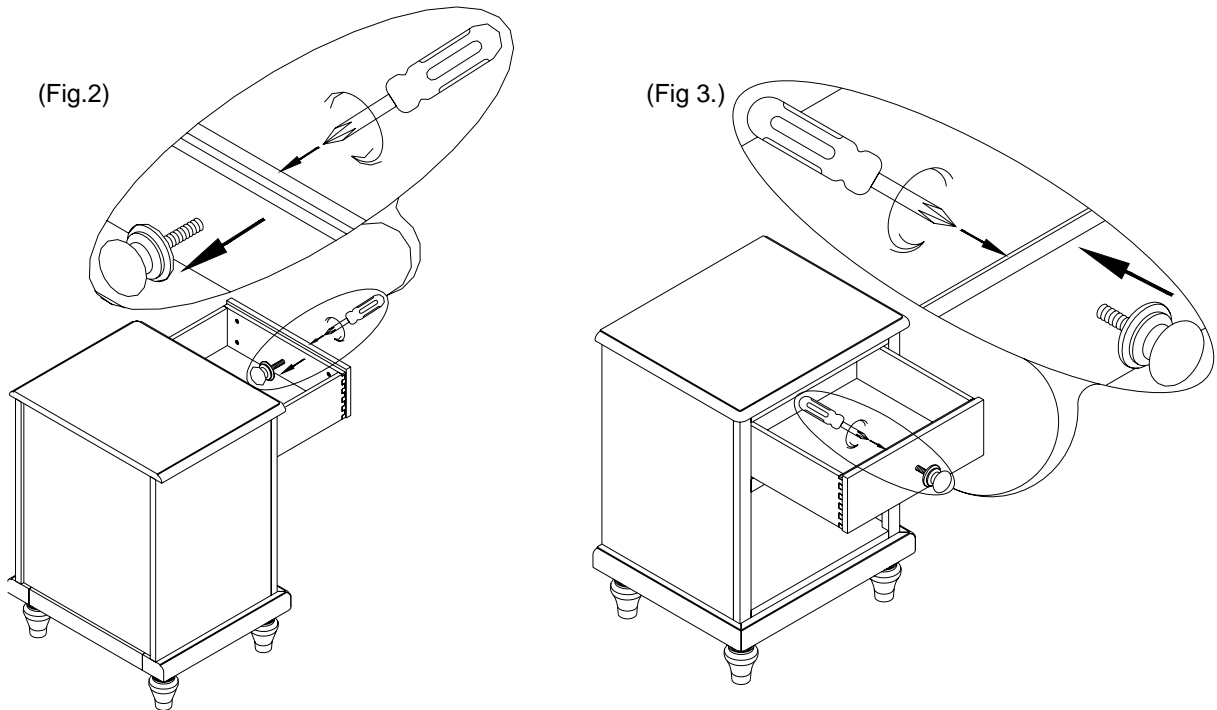
ASSEMBLY INSTRUCTIONS:

1. Lay Nightstand (A) down on a soft surface such as a carpet. Attach the legs (B) to the Nightstand (A) (see Fig. 1).

(Fig.1)

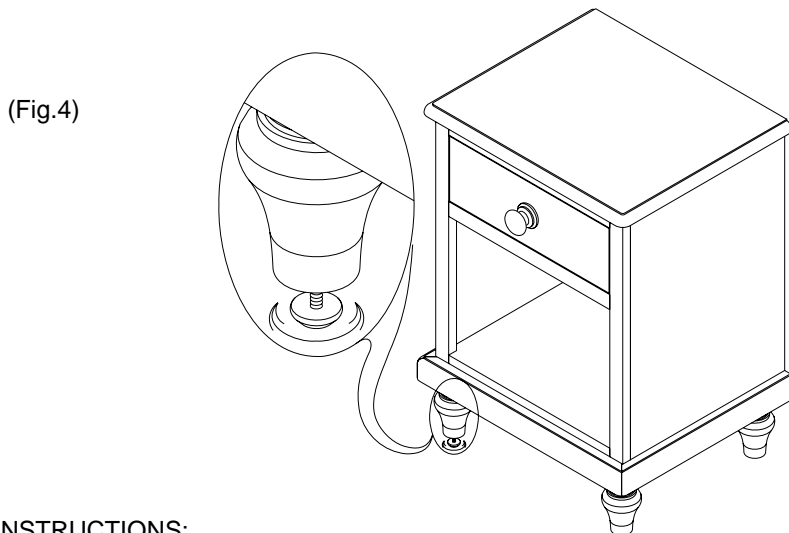


2. Turn the Nightstand (A) upright. Pull out the drawer. The wooden knobs are pre-attached at the back of drawer front. Use Phillips head screwdriver (not included) to turn the screw counter clockwise until remove knob from drawer front (see Fig. 2). Then, replace knob on drawer front, using Philips Head Screwdriver, as shown in Figure 3.



3. If your floor is not perfectly even, the furniture may not sit level. If the piece is not level, determine which corner does not touch the ground correctly. Follow these steps:

- Carefully elevate the item slightly to provide access to the levelers attached to the bottom.
- Turn the levelers in a counter-clockwise direction.
- Gently set down the piece and check stability.
- Repeat steps until the furniture sits firmly on the ground (see Fig. 4).



CARE INSTRUCTIONS:

- Dust often using a clean, soft, dry lint-free cloth.
- Blot spills immediately, and wipe with a clean, damp, cloth.
- We do not recommend the use of chemical cleansers, abrasives, or furniture polish on our lacquered finish.

Thank you for your purchase
stores | catalog | www.potterybarnkids.com
USA 1.800.290.8181