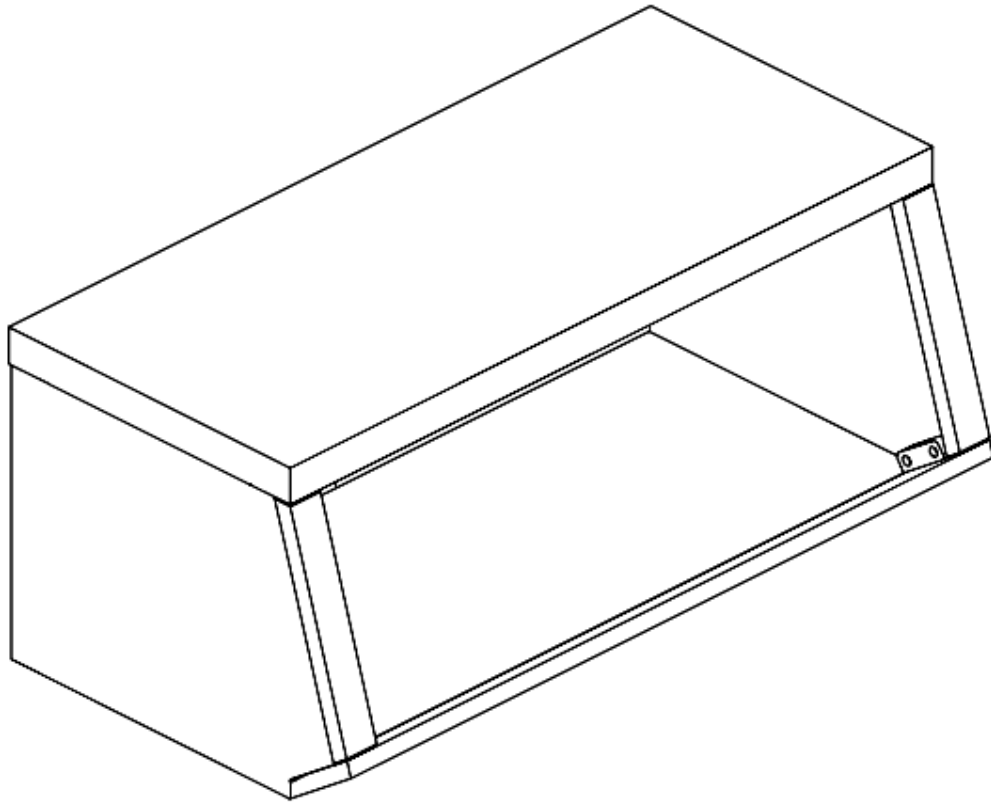


pottery barn kids



DOUBLE MARKET BIN

www.potterybarnkids.com

Important Safety Instructions:

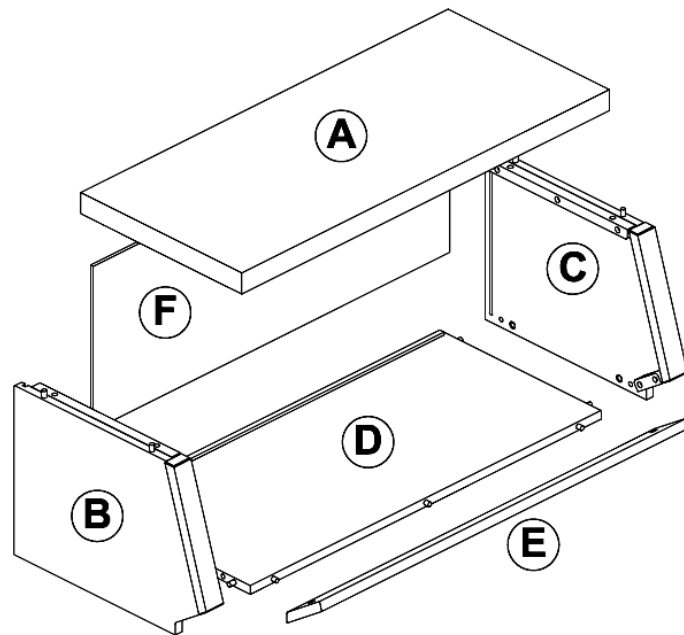
- Please read all instructions carefully before assembling.
- For your safety, assembly by two or more adults is strongly recommended.
- Keep instructions for future use.
- Use only vendor supplied hardware to assemble. Using unauthorized hardware could jeopardize the structural integrity of the item.

Pre-assembly:

- Remove all parts and hardware from the box and lay out on a clear carpeted or scratch-free work surface, as this will avoid damaging parts during assembly. The shipping box provides an ideal work surface.
- Do not dispose of any packaging or contents of the shipping carton until assembly is completed to avoid accidentally discarding small parts or hardware.
- Use the parts and hardware lists below to identify and separate each of the pieces included.
- The illustrations provided allow for easier assembly when used in conjunction with the assembly instructions.
- The use of power tools to aid in assembly is not recommended. Power tools can damage hardware and split wood.
- Note: Do not fully tighten all bolts until all parts are in place. Failure to follow these instructions may cause the bolts to misalign during assembly.

Parts Included:

- (A) Top Panel (1x)
- (B) Left Side Panel (1x)
- (C) Right Side Panel (1x)
- (D) Bottom Panel (1x)
- (E) Front Rail (1x)
- (F) Back Panel (1x)




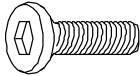




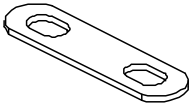
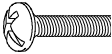
Tools Required:

Phillips Head Screwdriver



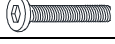



(not included)

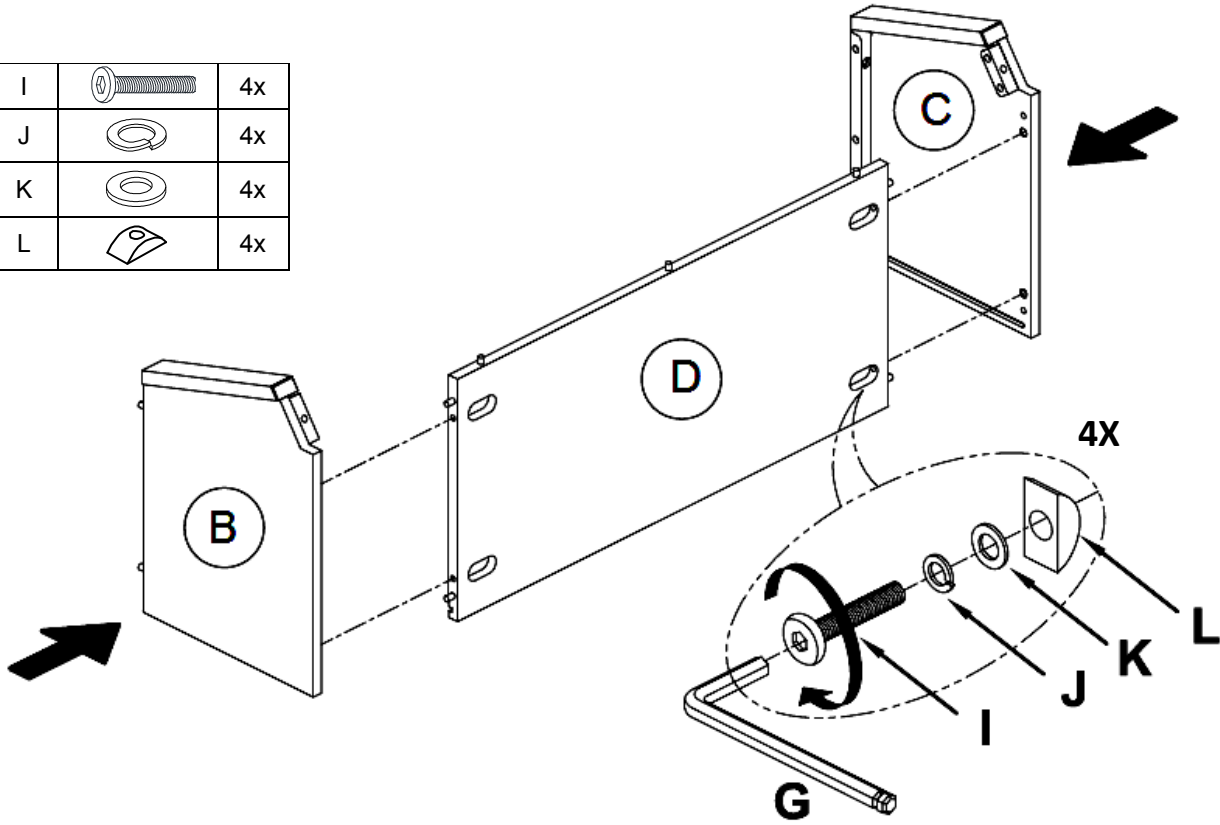
Hardware Included:

 (G) Allen Key – 1x	 (H) Bolt 1/4"x25mm – 6x	 (I) Bolt 1/4"x38mm – 4x
 (J) Spring Washer – 10x	 (K) Flat Washer – 10x	 (L) Half-Moon Metal Block – 4x
 (M) Mending Plate – 2x	 (N) Machine Screw 5/32"x12mm – 4x	

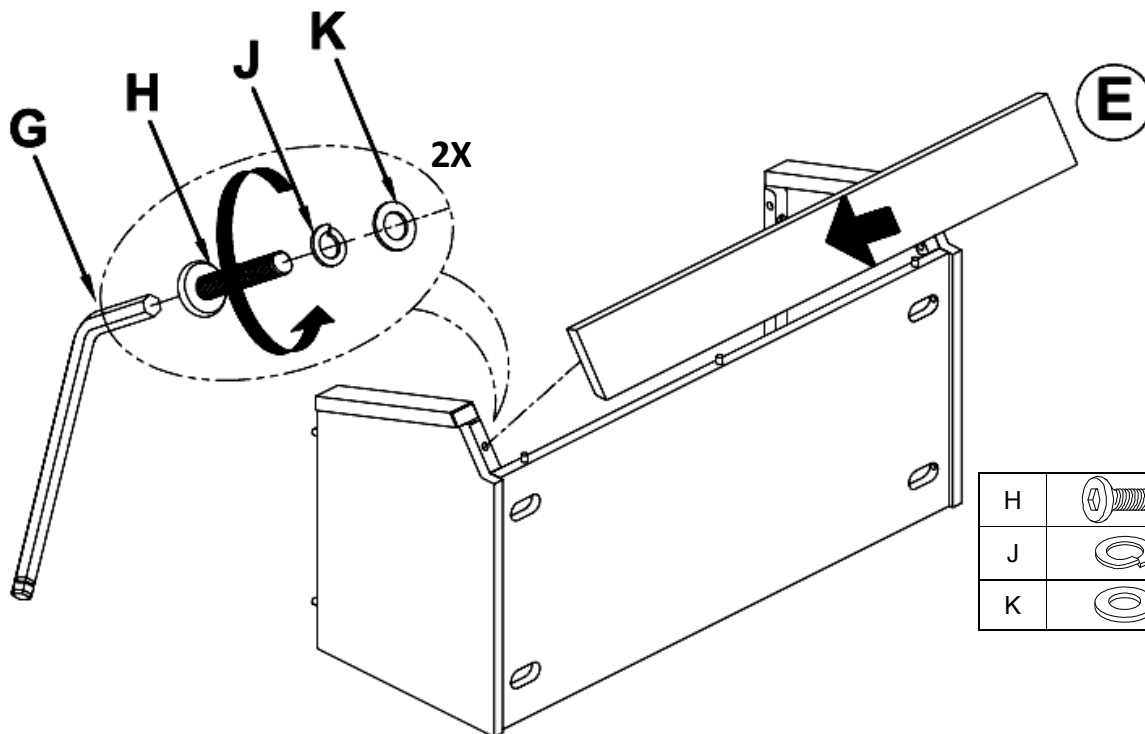
Assembly Instruction Steps:




1. Attach (B) and (C) to (D) as shown below. **Do not fully tighten.**

I		4x
J		4x
K		4x
L		4x

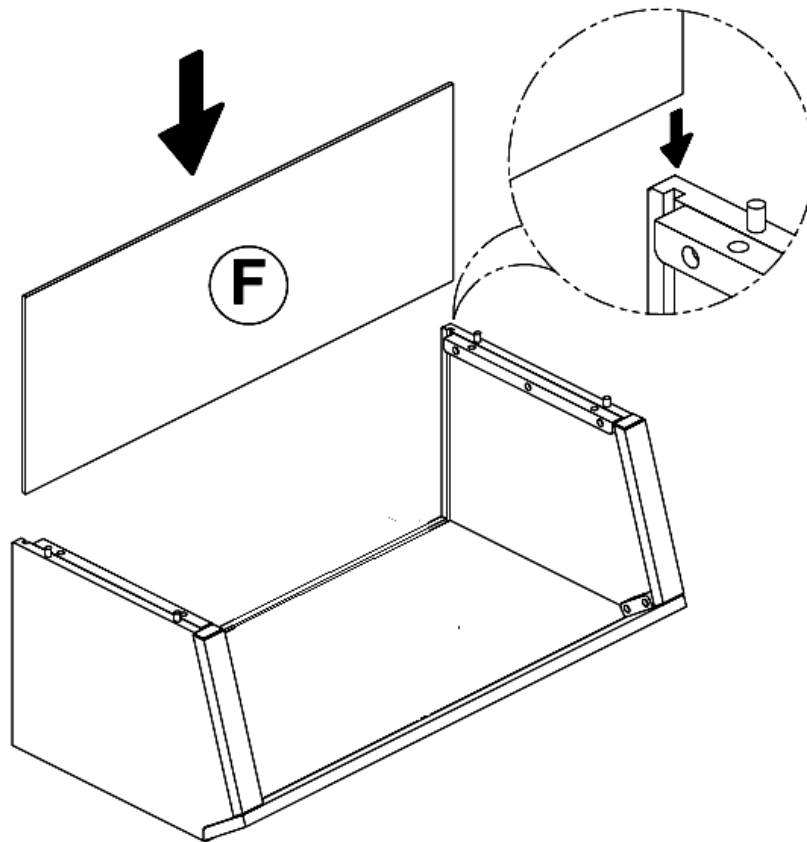


2. Attach (E) to the assembled piece as shown below. **Do not fully tighten.**



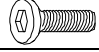


H		2x
J		2x
K		2x

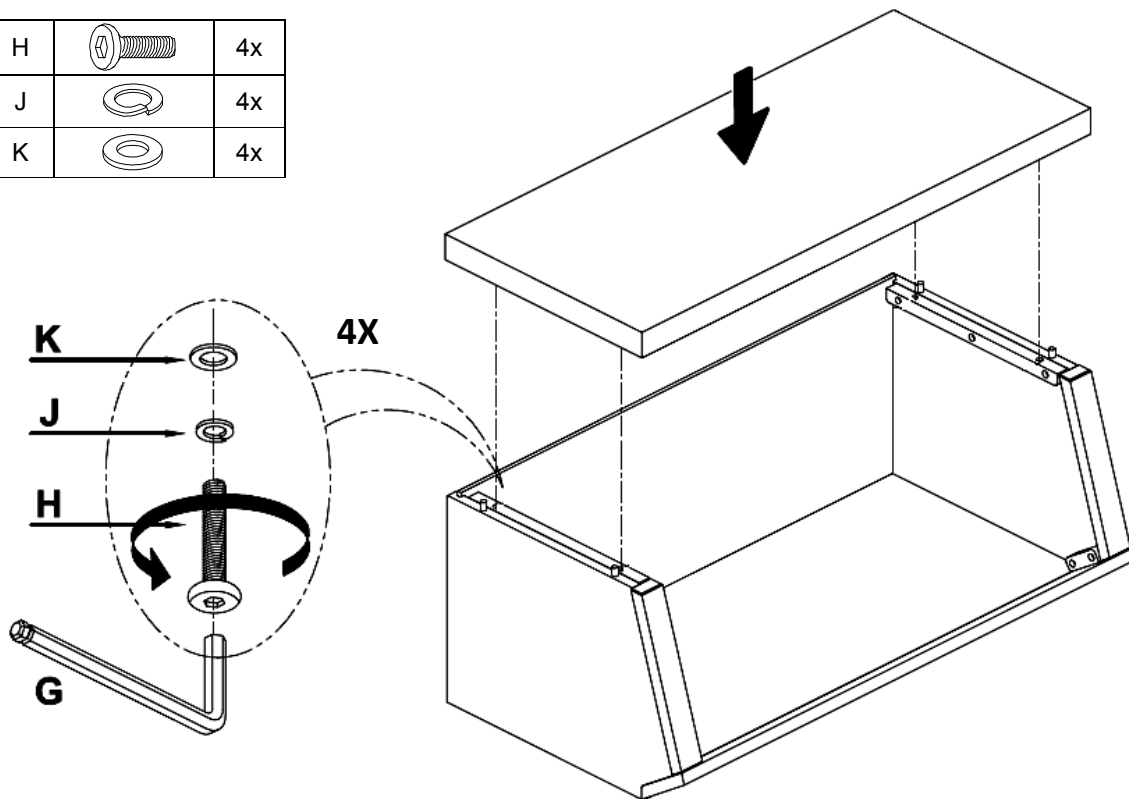
3. Attach (F) to the assembled piece as shown below.



4. Attach (A) to the assembled piece as shown below.

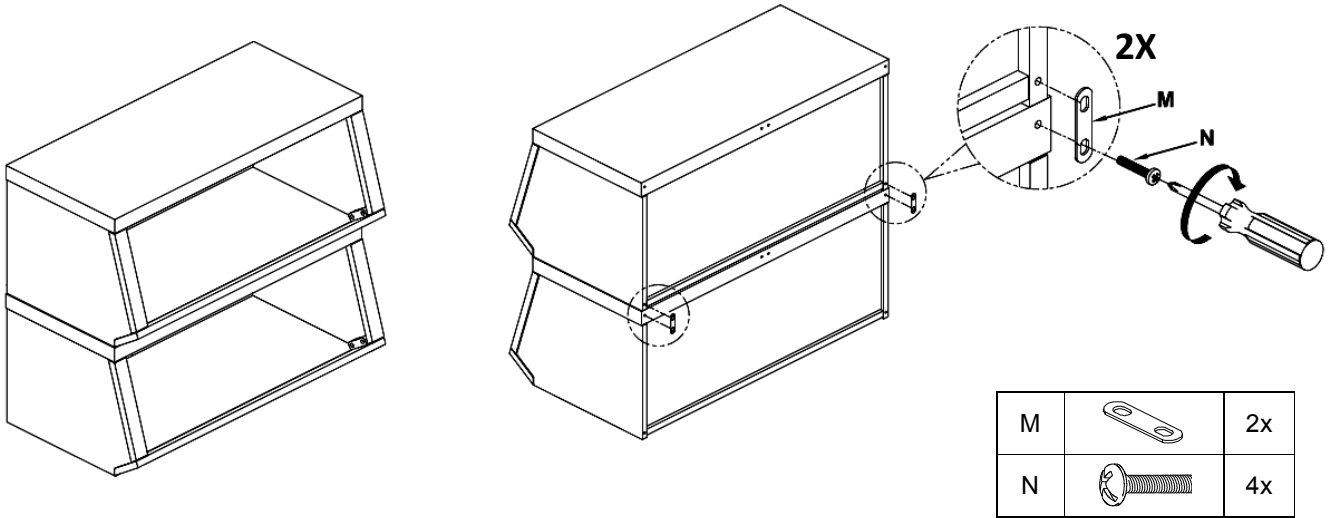
5. Check alignments and tighten all bolts at this time. **Do not over tighten.**

H		4x
J		4x
K		4x

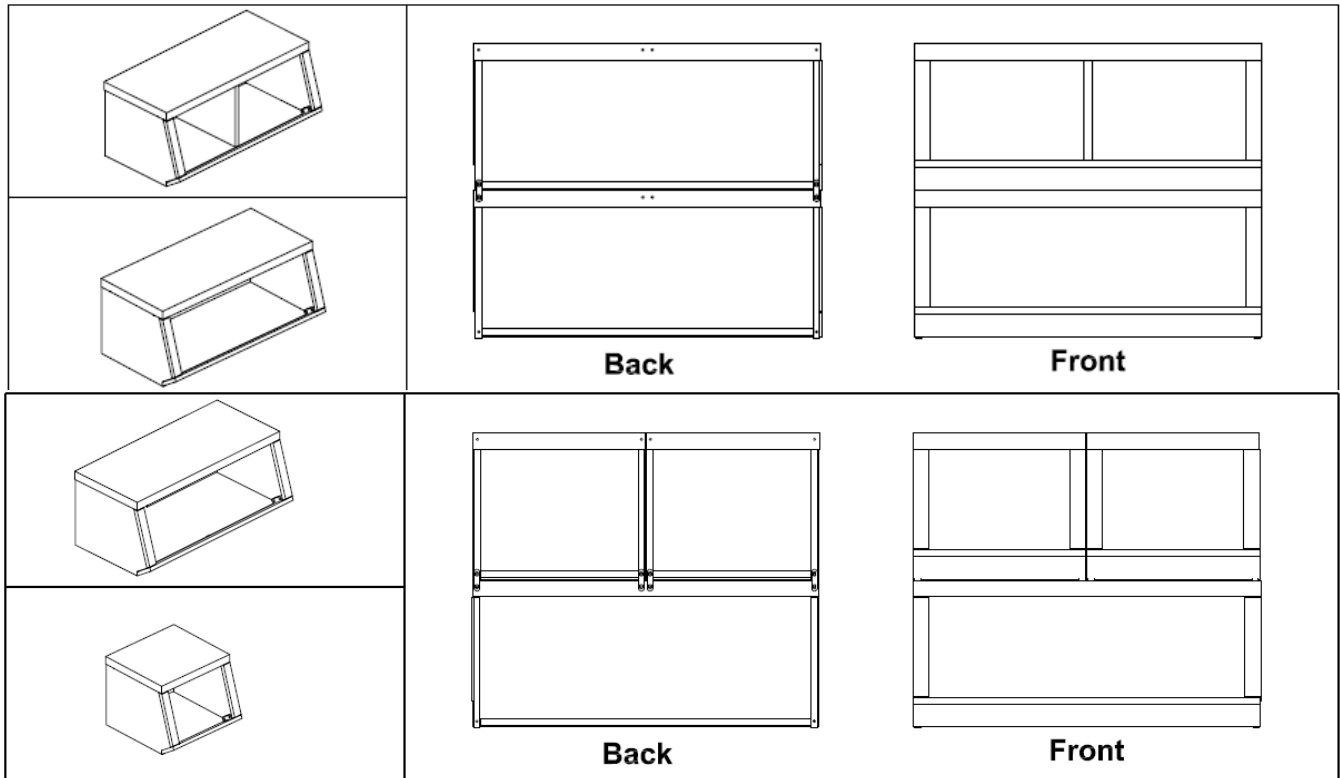


6. **NOTE: Installation of the Anti Tip Kit is REQUIRED.** Please follow the separate instructions to secure the Unit to the wall by using tipping-restraint kit included.

7. When stacking, use Mending Plate (M) and Machine Screw (N) to secure. Using a Philips Head Screw Driver. **Do not over tighten.**



Note: The arrangement of the Market Bin system units can be combined as shown below:



Care Instructions:

- Dust often using a clean, soft, dry and lint-free cloth.
- Blot spills immediately and wipe with a clean, damp, cloth.
- We do not recommend the use of chemical cleansers, abrasives or furniture polish on our lacquered finish.
- Hardware may loosen over time. Periodically check to make sure all connections are tight.
Re-tighten if necessary.

Thank you for your purchase
Stores | catalog | www.potterybarnkids.com
USA 1.800.290.8181