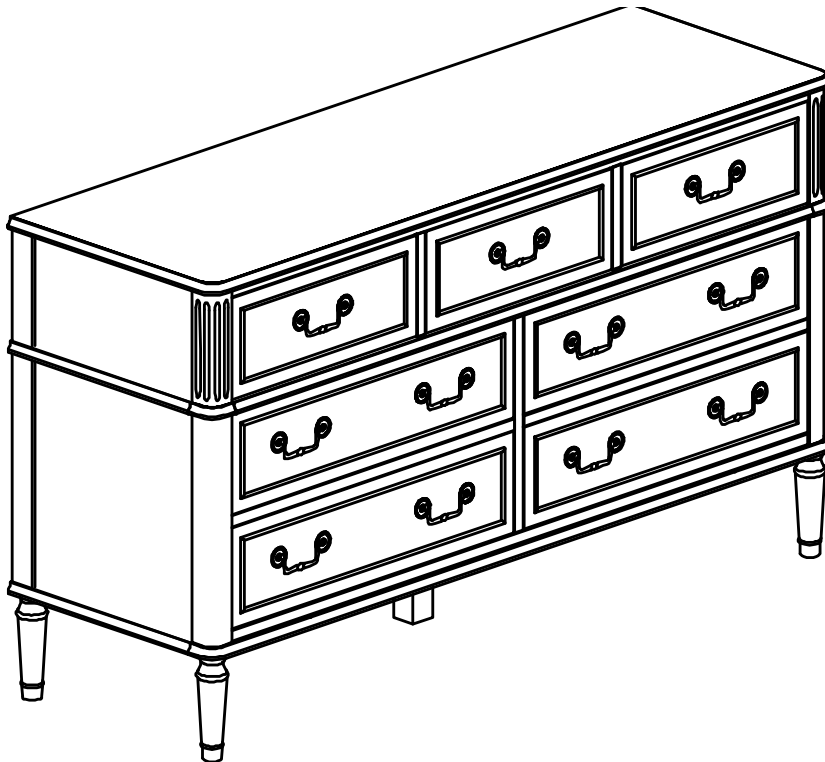


pottery barn kids



ZOEY XW DRESSER

www.potterybarnkids.com

Important Safety Instructions:

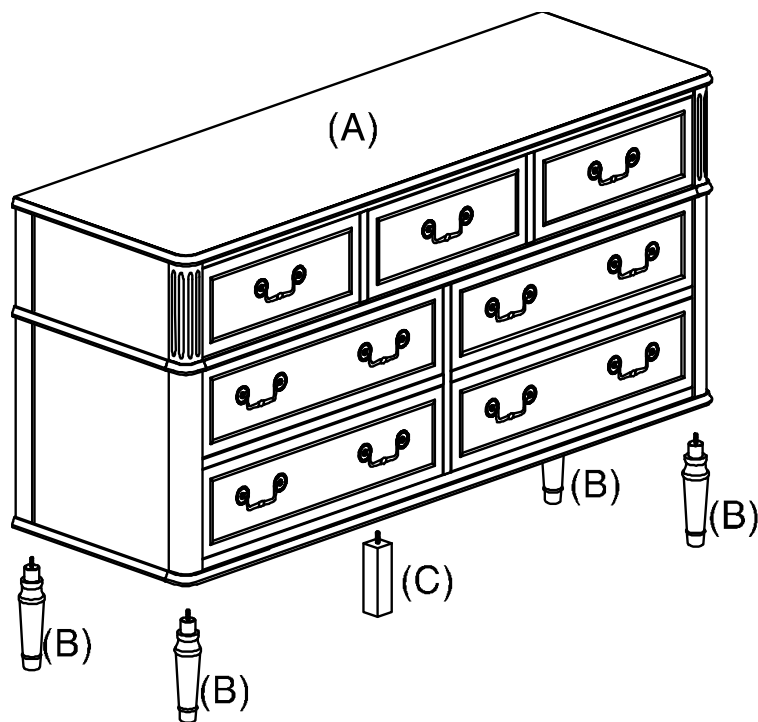
- Please read all instructions carefully before assembling this XW Dresser.
- For your safety, assembly by two or more adults is strongly recommended.
- Keep these instructions for future use.
- Use only vendor-supplied hardware to assemble this item. Using unauthorized hardware could jeopardize the structural integrity of the item.

Pre-assembly:

- Remove all parts and hardware from the box. Place all items on a carpeted or scratch-free work surface, as this will avoid damaging parts during assembly. The shipping box provides an ideal work surface.
- To avoid accidentally discarding small parts or hardware, do not dispose any packaging or contents of the shipping carton until assembly is complete.
- Use the parts and hardware lists below to identify and separate each of the pieces included.
- The illustrations provided allow for easier assembly when used in conjunction with the assembly instructions.
- The use of power tools to aid in assembly is not recommended. Power tools can damage the hardware and split the wood.

Parts Included:

- (A) XW Dresser Case (x1)
- (B) Turned Leg (x4)
- (C) Center Leg (x1)

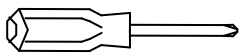


Hardware Included:

(D) Wood Screw
4 x 20mm - 2x



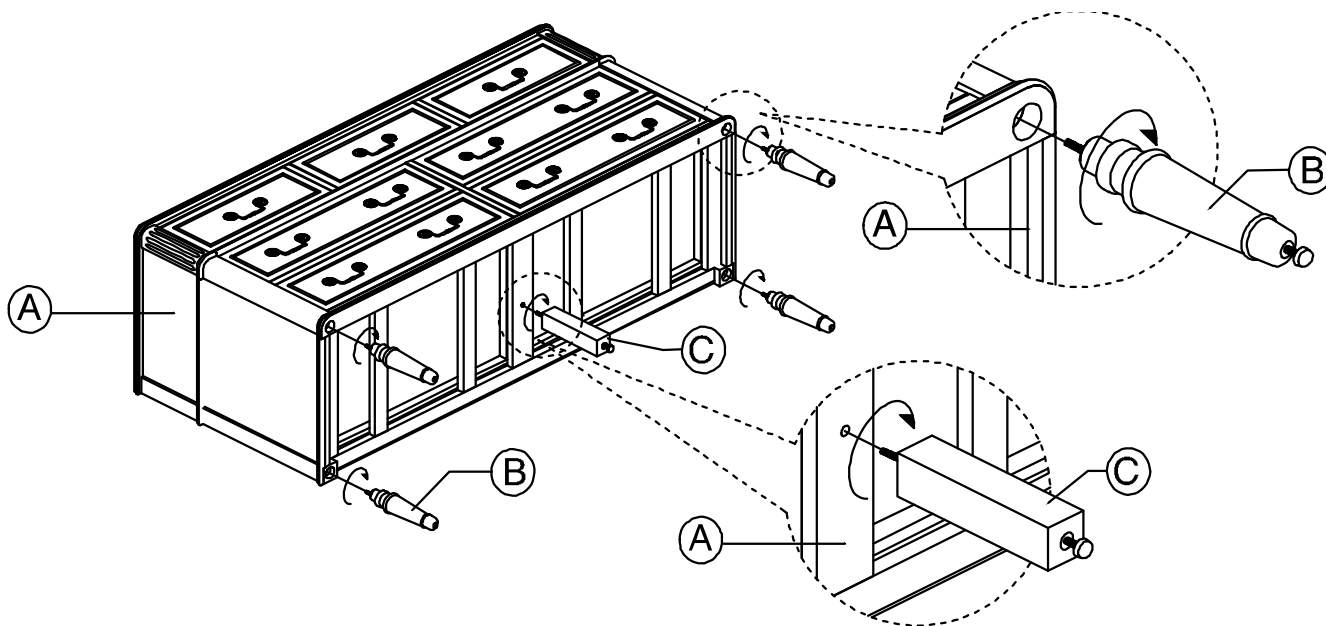
Tools Required (not included):



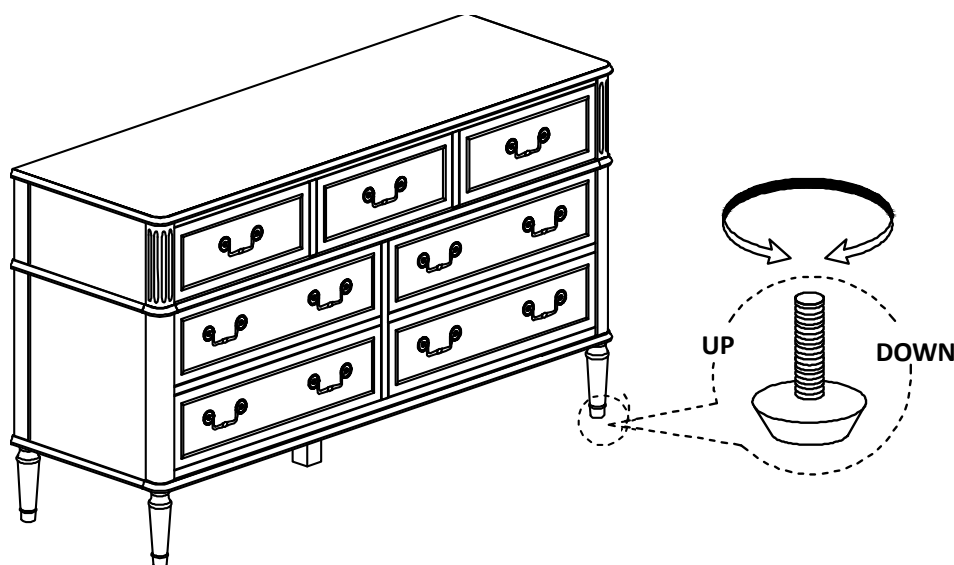
Phillips Head Screwdriver

Assembly Instruction Steps:

1. Place the XW Dresser (A) down onto a soft, flat surface, as seen in the illustration below.
2. Thread the [4] Turned Legs (B) and Center Leg (C) into the cut-outs located on the bottom posts of XW Dresser (A), as seen below.



3. With the help of another person, stand the XW Dresser upright.
4. If the XW Dresser does not sit level, adjust the levelers (up or down) at the bottom of the posts to level the Dresser, as seen in the illustration below.

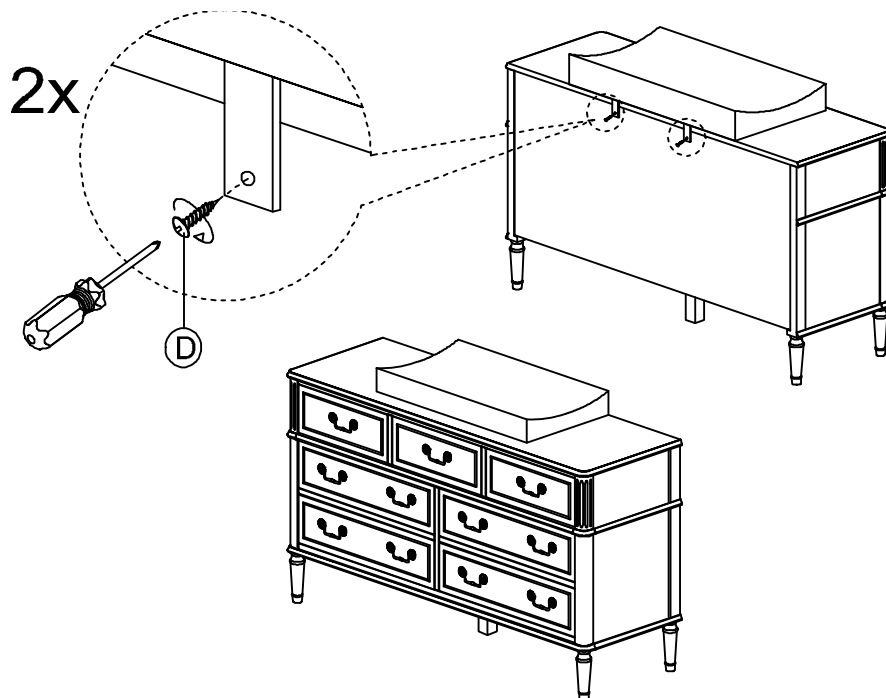


5. **NOTE: Installation of the Anti Tip Kit is REQUIRED.** Please follow the separate instructions to secure the Desk to the Wall, by using the tipping-restraint kit included.

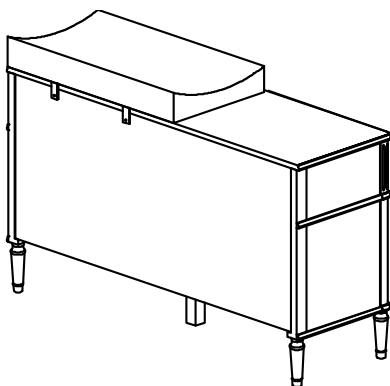
6. For use with changing pad

Place the changing pad directly on top of the dresser. Insert wood screw (D) through each strap, into pre-drilled holes on the back panel and secure as shown below.

Note: The Next page shows 3 different options for the placement of the changing pad.

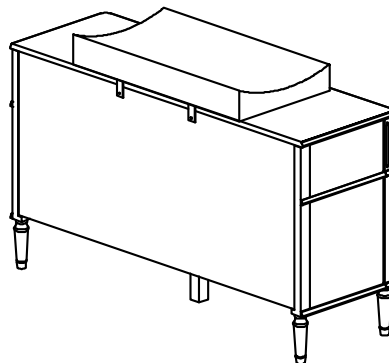


Changing pad to the left



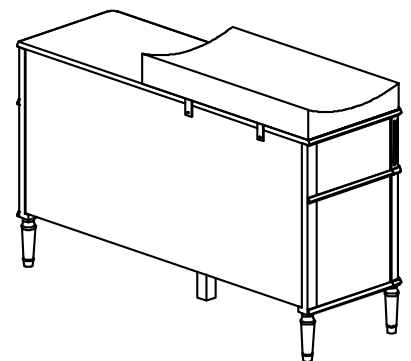
Option 1

Changing pad in the center



Option 2

Changing pad to the right



Option 3

Care Instructions:

- Dust often using a clean, soft, dry, and lint-free cloth.
- Blot spills immediately and wipe with a clean, damp cloth.
- We do not recommend the use of chemical cleansers, abrasives, or furniture polish on our lacquered finish.
- Hardware may loosen over time. Periodically check to make sure all connections are tight. Re-tighten if necessary.

Thank you for your purchase
Stores | catalog | www.potterybarnkids.com
USA 1.800.290.8181