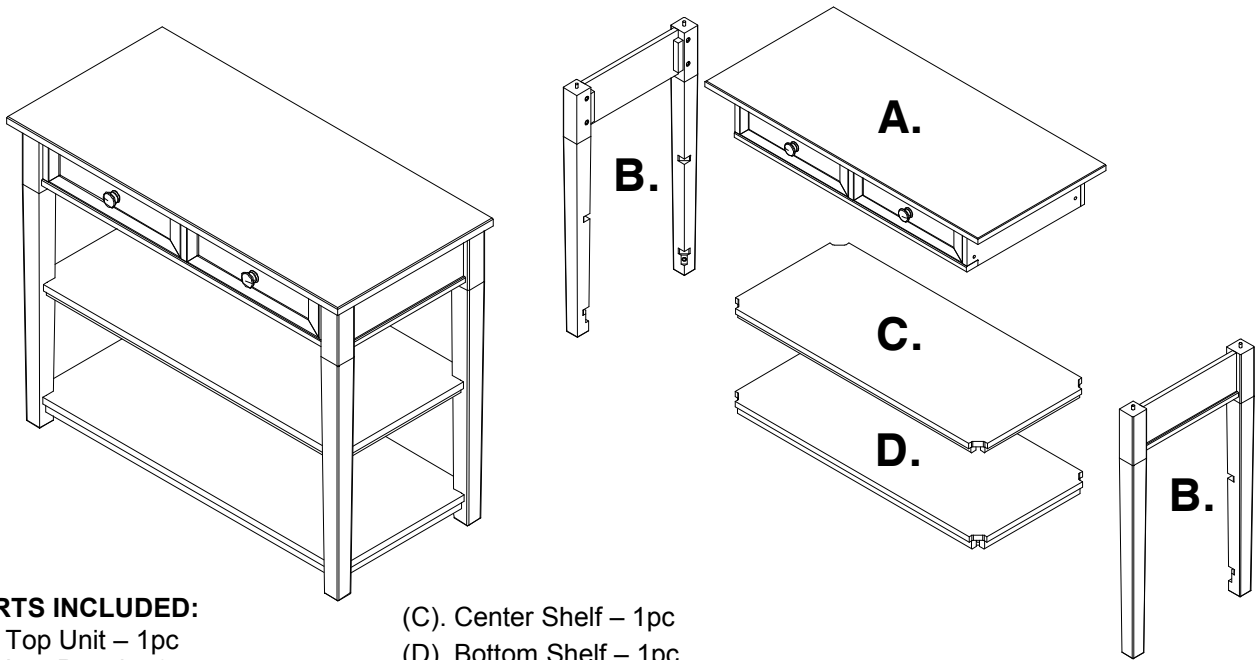


pottery barn kids

Universal Changing Table with Drawer

PRE-ASSEMBLY:

- Please read all instructions before beginning assembly.
- Assembly by two adults is recommended for your safety and ease.
- Remove all parts and hardware from the box and place them on a carpet, or scratch-free work surface. The shipping box provides an ideal work surface.
- To avoid accidentally discarding small parts or hardware, please do not dispose of any contents until assembly is complete.
- Use the parts and hardware lists to identify and separate each of the pieces included.
- Note: Do not fully tighten any of the bolts until all the parts are in place. Failure to follow these instructions may cause the bolts to misalign during assembly.
- The use of power tools is not recommended for this assembly. Power tools can damage the hardware or split the wood.


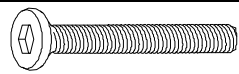
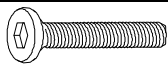

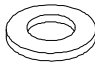
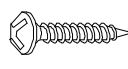


PARTS INCLUDED:

- (A). Top Unit – 1pc
 (B). Leg Panel – 2pcs

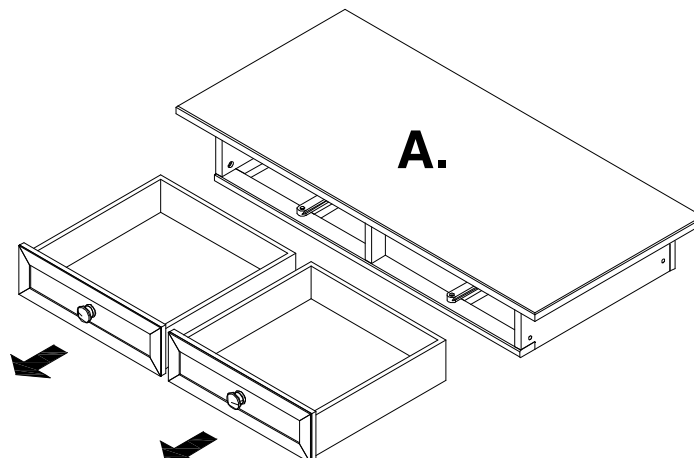
- (C). Center Shelf – 1pc
 (D). Bottom Shelf – 1pc

HARDWARE INCLUDED:

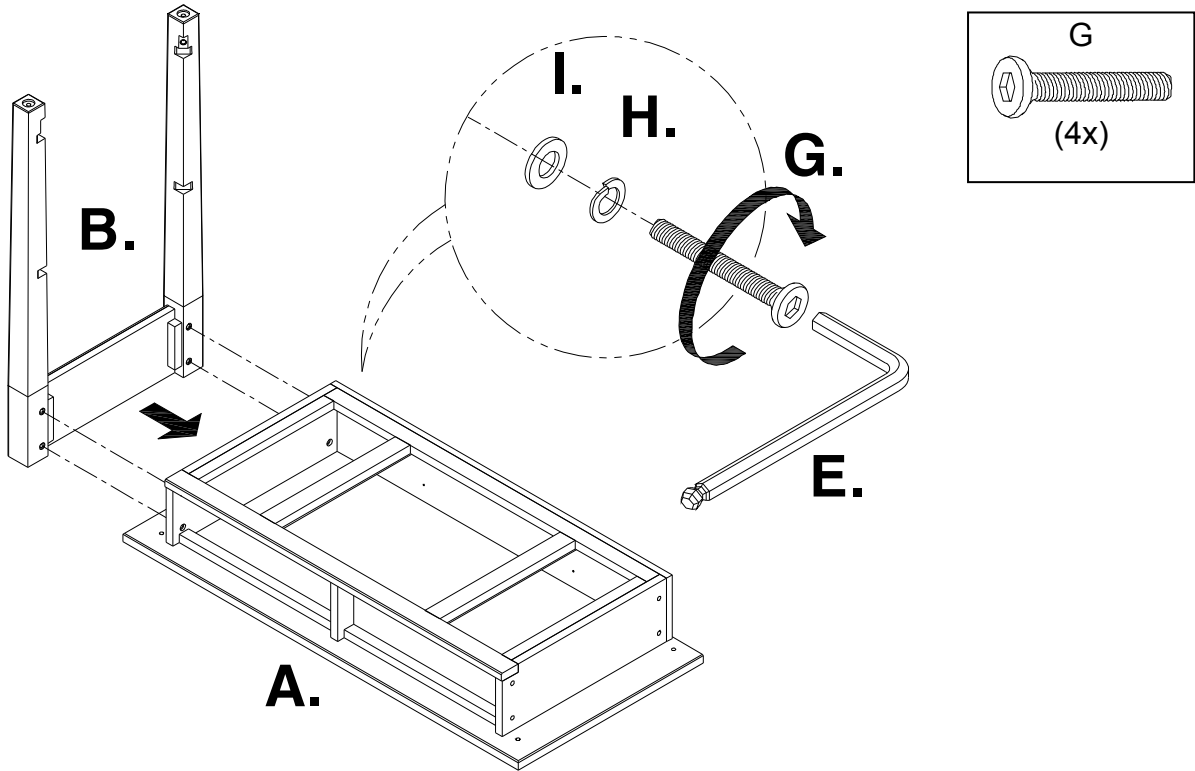
 (E). Allen Key – 1x	 (F). Long Bolt 1/4"x44mm – 4x	 (G). Short Bolt 1/4"x 25mm – 8x
 (H). Spring Washer – 12x	 (I). Flat Washer – 12x	 (J). Wood Screw 4x19mm – 2x

ASSEMBLY INSTRUCTIONS:

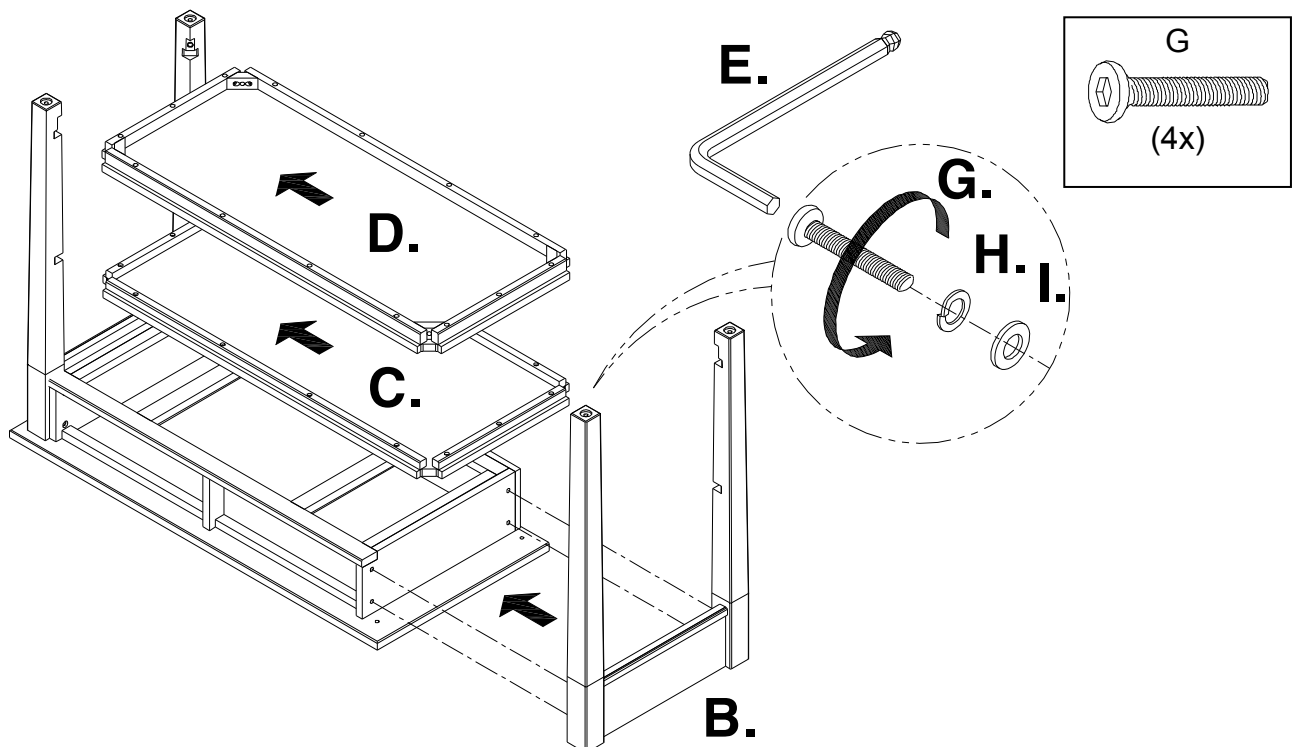
1. Pull the drawers out of Top Unit (A) and place them on a soft, scratch-free surface for later use, as seen in the illustration below.



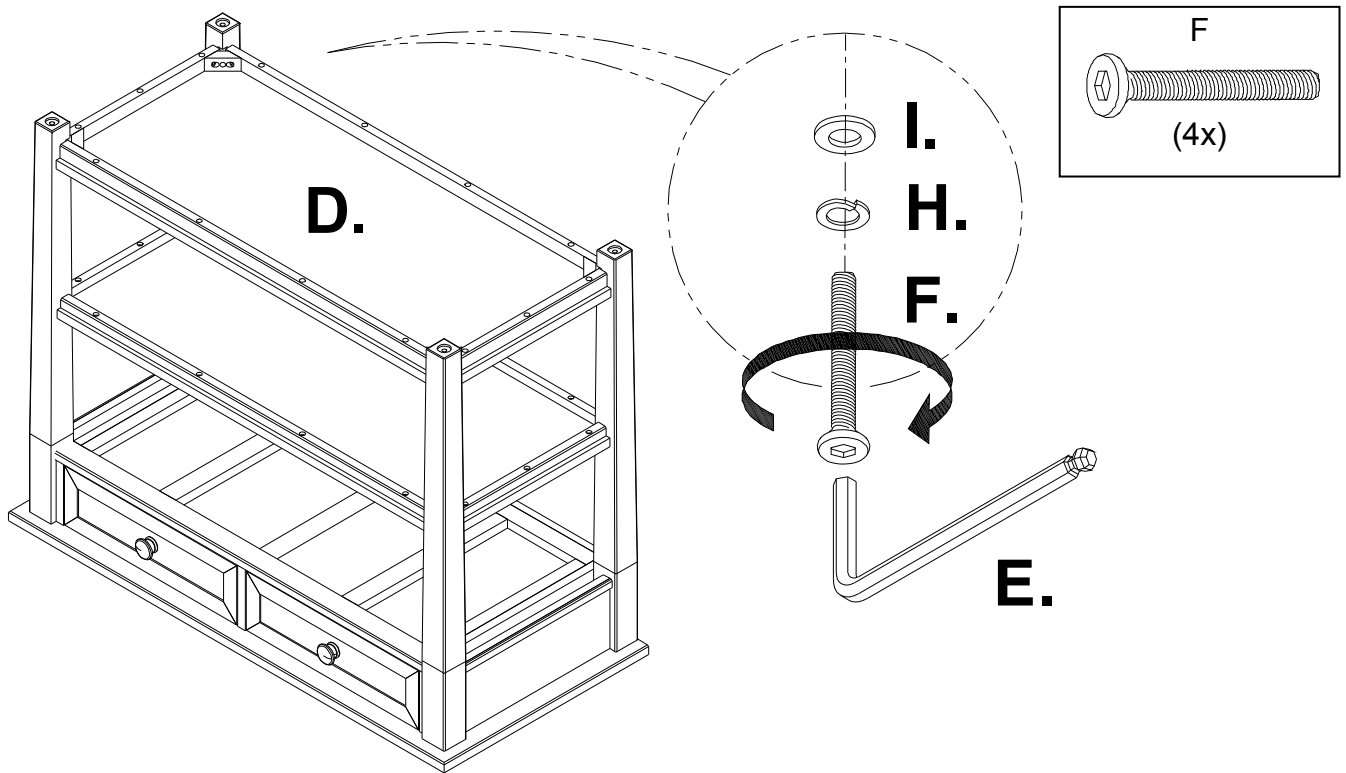
2. Place the Top Unit (A) (now without drawers) upside down on a soft, scratch-free surface.
3. Attach (1) Leg Panel (B) to Top Unit (A) as shown in the illustration below.
4. Slide the Spring Washer (H) and a Flat Washer (I) onto each Short Bolt (G), as shown in the illustration below.
5. Insert (4) Short Bolts (G) with washers (H&I) from the interior of Top Unit (A) into the metal inserts located on the leg posts.
6. Secure using Allen Key (E). Do not fully tighten the bolts at this time.



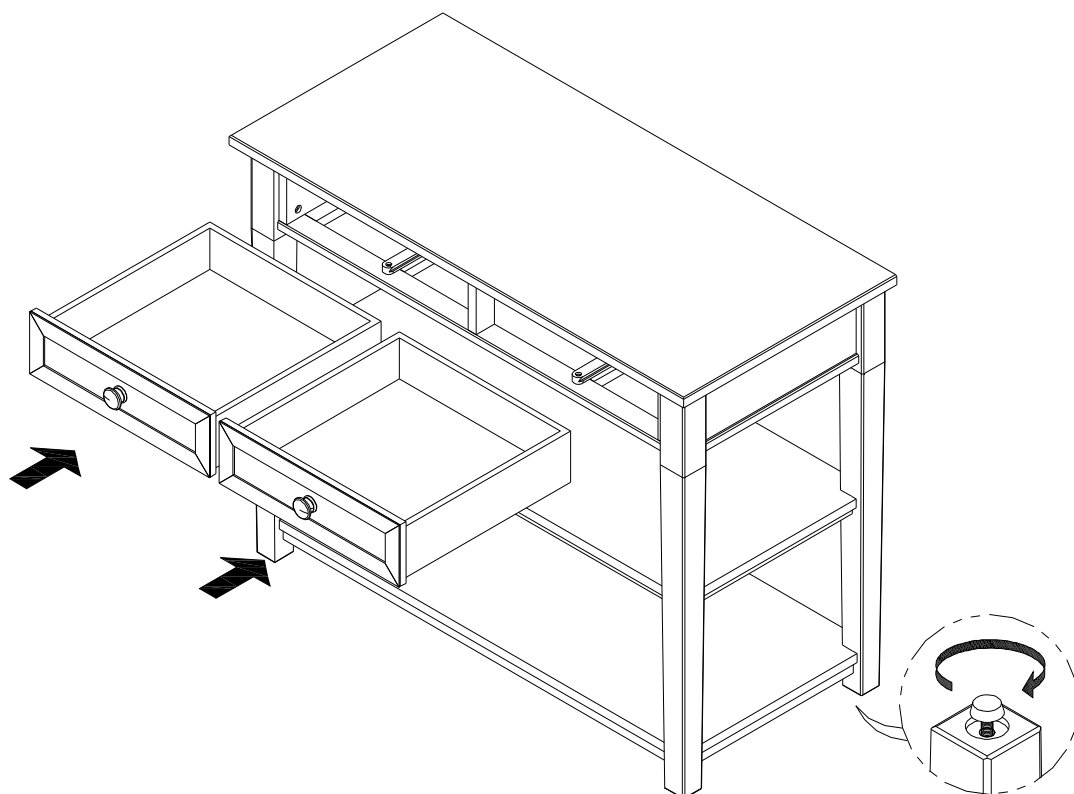
7. Connect Center Shelf (C) and Bottom Shelf (D) to the cut-outs of the assembled Leg Panel posts.
8. Attach the remaining Leg Panel (B) to Top Unit (A). Make sure the Center Shelf (C) and Bottom Shelf (D) sit well on the cut-outs of the Leg Panel posts.
9. Insert the remaining (4) Short Bolts (G) with washers from the interior of the Top Unit into the metal inserts located on the leg posts.
10. Secure using Allen Key (E).
11. Check all of the alignments and tighten the leg connections at this time.



12. Slide a Spring Washer (H) and a Flat Washer (I) onto each Long Bolt (F), as shown in the illustration below.
13. Insert (4) Long Bolts with washers through the pre-drilled holes and (located on triangle blocks under Bottom Shelf (D)) into the metal inserts pre-installed in each leg post.
14. Check all alignments and tighten with Allen Key (E).

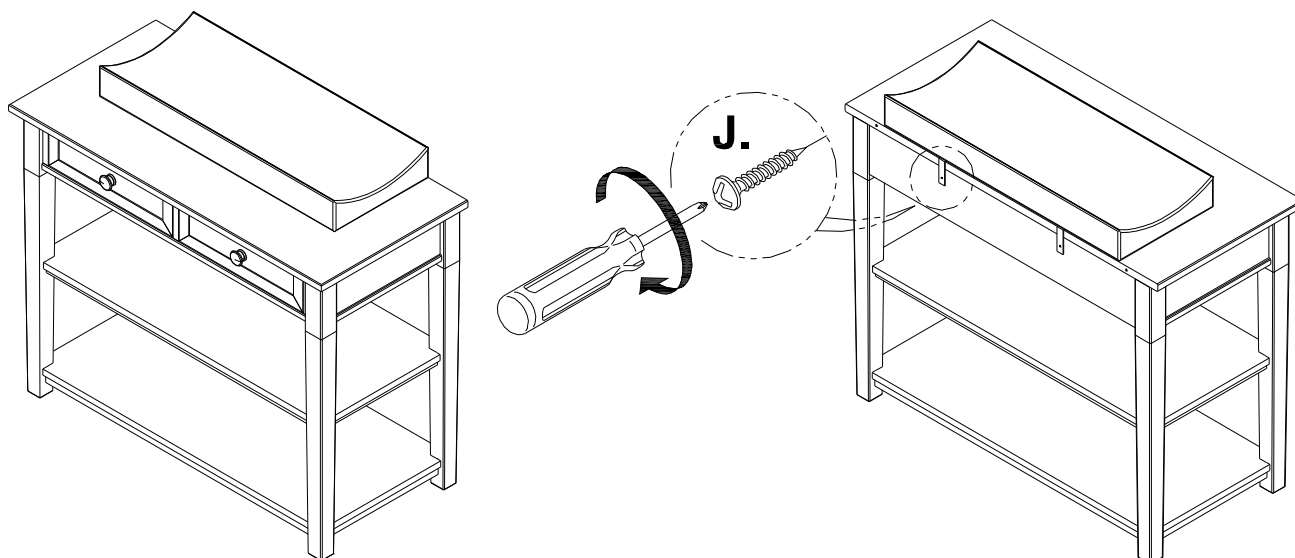


15. Place the assembled unit in the upright position.
16. Place the drawers (removed from Step #1) back into the assembled unit.
17. Adjust the levelers located on the bottom of the leg posts to level the unit, as shown in the illustration below.



Note: To use a Changing Pad (sold separately) directly with the changing table, thread a Wood Screw (J) through each strap of the changing pad and into pre-drilled pilot holes (on the back panel) using a Philips head Screw Driver (not included), as shown in the illustration below.

If you would like to use a Changing Table Topper (sold separately) with the changing table, please follow the instructions and hardware shipped with the topper.



CARE INSTRUCTIONS:

- Dust often using a clean, soft, dry lint-free cloth.
- Blot spills immediately, and wipe with a clean, damp cloth.
- We do not recommend the use of chemical cleansers, abrasives or furniture polish

Thank you for your purchase.
stores | catalog | www.potterybarnkids.com
USA 1.800.290.8181

pottery barn kids

FURNITURE TIPPING RESTRAINT

WARNING: This product is only a deterrent. It is not a substitute for proper adult supervision. Manufacturer assumes no liability for improper installation or excessive loads placed on screws, brackets or straps.

Young children may be injured by tipping furniture and the use of a tipping restraint is highly recommended.

When properly installed, this restraint will provide protection against tipping of furniture. This tipping restraint **MUST** be secured to a wall-stud or wall structure of similar strength.

Hardware included: (2) Brackets (1) Nylon Strap
(2) Long Stud Mounting Screws (2) Short Furniture-Side Mounting Screws

Note: For safe mounting it is essential to use the proper hardware for your wall type. The included hardware is for drywall or stud mounting only. For other wall types (e.g., plaster, concrete and brick) please consult your local hardware store for fastener advice.

To install:

1) LOCATING THE STUDS: Use a stud finder to locate the vertical wooden studs within your wall located behind the final position of the furniture item. Mark the stud locations with a light pencil-mark.

2) MOUNTING THE FURNITURE-SIDE BRACKET: Move the furniture item close to the wall to its final position. Use pieces of tape or a pencil to transcribe the stud locations of the wall onto the furniture item. Move the furniture item again so you can access its back and use the marks to locate a suitable mounting point for the furniture-side bracket. Make sure that the bracket is secured to a firm portion of the furniture frame and as high as possible. Remember: The furniture-side bracket must be positioned near a wall stud. Using a pencil, and the bracket as a guide, mark "screw marks" on the furniture item through the bracket holes.

Use a 3/32" drill bit to drill pilot holes into the furniture item at the "screw marks". Use the TWO Short screws to secure the furniture-side bracket. This bracket can be positioned either vertically or horizontal as necessary (See Figure 1).

3) MOUNTING THE WALL-SIDE BRACKET: Position the wall-side bracket along the selected stud mark so that it will be adjacent the furniture-side bracket when the furniture item is moved to its final position. The wall-side bracket should be about ONE inch lower than the furniture-side bracket (See Figure 3). Use the TWO Long screws to secure the wall-side bracket to the wall. Remember to position the wall-side bracket vertically so that both screws will engage the selected wall stud (See Figure 2).

4) ATTACHING THE STRAP: When both brackets are securely attached, move the furniture to its final desired position and thread the strap through the openings of each bracket and also through the ratcheting "buckle". Tighten the strap until several "clicks" are heard. The furniture item is now securely tethered to the wall.

Note: If you must move the furniture item, you can release the strap by depressing the lever arm located at its buckle and simultaneously withdrawing the strap from the buckle. Make sure to reconnect the strap once the furniture item is returned to its previous position.

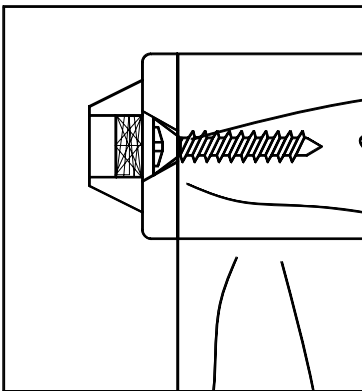


Figure 1

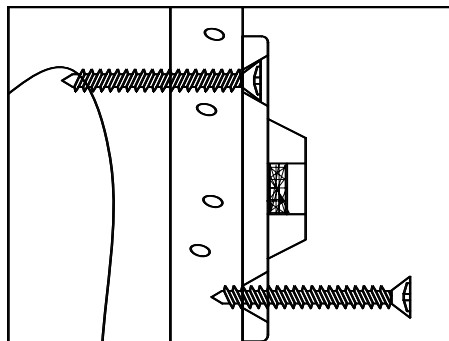


Figure 2

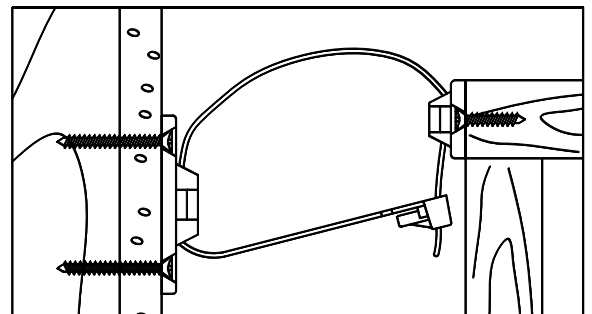


Figure 3