

pottery barn kids

THOMAS HEADBOARD

PRE-ASSEMBLY:

Please read all instruction before beginning assembly. For your safety and ease, assembly by two-person assembly is recommended. Save all packing materials until assembly is complete to avoid accidentally discarding smaller parts or hardware. Use caution when using power tools to aid in assembly. Power tools can split wood or strip hardware if not used carefully.

PARTS INCLUDED:

- Headboard (1)
- Top Finials (2)
- Pre-assembled bed frame (not included)

TOOLS & HARDWARE INCLUDED:

A – Allen Screws (x4)



B – Flat Washer (x8)



C – Spring Washer (x4)



D – Nuts (x4)



E – Allen Key (x1)

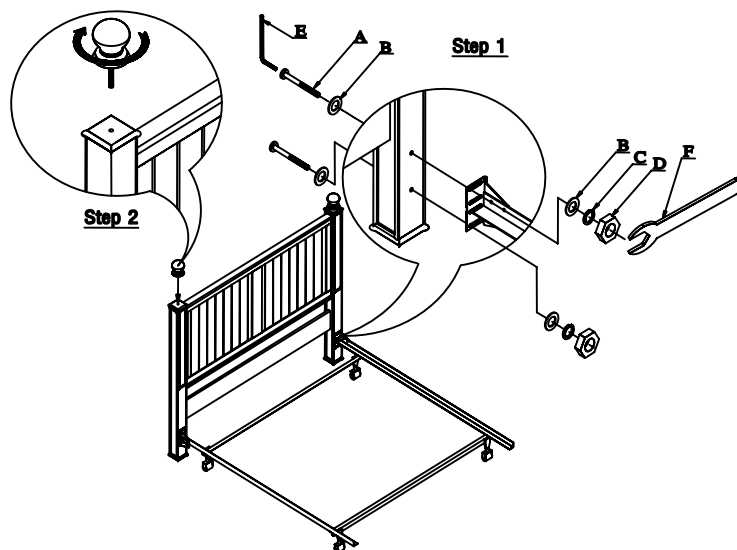


F – Wrench (x1)



ASSEMBLY:

1. Hold headboard upright and titled slightly towards the faceplates of the pre-assembled bed frame.
2. Align the slot in the faceplate with the pre-drilled holes in the legs of the headboard.
3. Insert an (A) Allen screw into (B) flat washer and then trough(C) spring washer. Continue the screw through the top hole in the back of the leg.
4. As the (A) Allen screw exits the leg and enters the corresponding slot in the faceplate. Add a flat washer, a spring washer and a nut. Repeat for all pre-drilled holes.
5. Tighten (D) nuts by using enclosed (E) Allen key and (F) wrench. Periodically tighten all connections.
6. Install the top finials in the headboard.



Thank you for your purchase

stores | catalog | www.potterybarnkids.com

USA 1.800.290.8181

