

pottery barn kids

THOMAS EXTRA WIDE CHANGING TABLE TOPPER

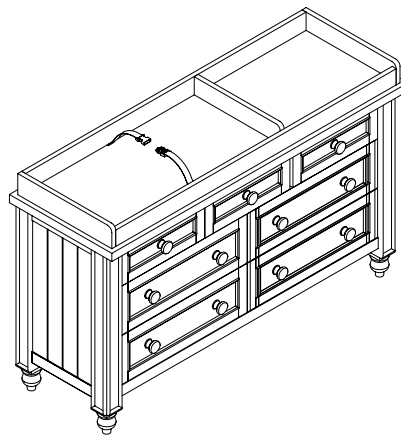


WARNING

FALL HAZARD - To prevent death or serious injury from falls, always keep child within arm's reach.

- Read all instructions before use of the changing table. KEEP INSTRUCTIONS FOR FUTURE USE.
- Before each use check the changing table for damage, loose parts, or sharp edges. DO NOT use the changing table if it is damaged or broken.
- Set up this table to be level, stable, and structurally sound.
- This changing table may be used with or without a pad. The only pad approved for use with it is the Contour Changing Pad available for purchase from pottery barn kids. This pad is designed to be used in a space of at least 810mmx400mm (32inches x 16inches). If used, place it within the rail-bounded changing area of the changing table.
- NEVER LEAVE THE CHILD UNATTENDED and always use the restraining system.

This changing table is intended for use with children weighing up to 50 pounds.

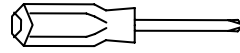


PRE-ASSEMBLY

- Please all the instructions before beginning assembly. The illustration provided allow for easier assembly when used in conjunction with the assembly instructions.
- For your safety, assembly by two adults is required.
- Remove all parts and hardware from box and lay out on a carpeted or scratch-free work surface, as this will avoid damaging any parts during assembly. The shipping box provides and ideal work surface. Do not dispose of any contents until assembly is completed to avoid accidentally discarding email parts or hardware.
- Use the parts and hardware lists to identify and separate each of the piece included.
- Note: do not fully tighten all bolts until all parts are in place. Failure to follow these instructions may cause the bolts to misalign during assembly.
- If using power tools to aid in assembly please use caution. Power tools can damage hardware or split wood.

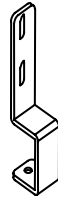
TOOLS REQUIRED:

Phillips head screwdriver (not included)

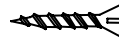


HARDWARE:

A – Metal plate (x2)

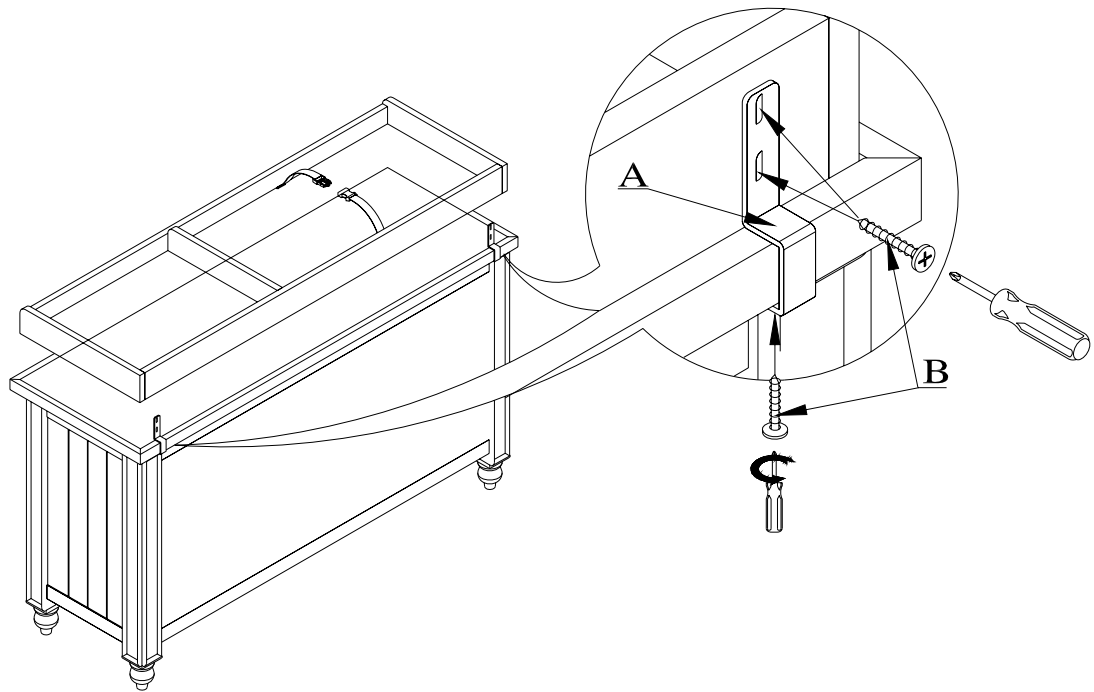


B – Small Phillips head screws 8x19mm (x6)



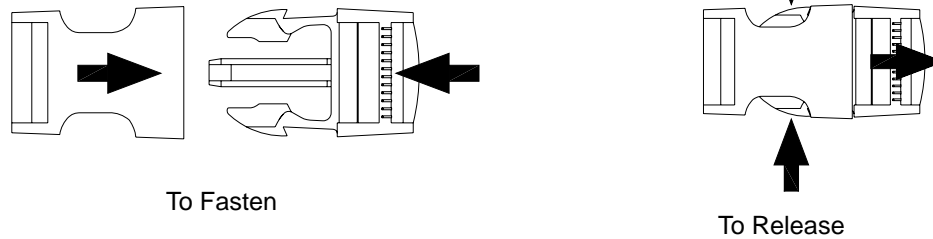
ASSEMBLY:

1. Place the Extra wide changing table topper on extra wide dresser in upright position, as shown.
2. Using the Philips head screwdriver, attach the Metal plates (A) to the back edge of the changing table by inserting the Small Phillips head screws (B).
3. Hardware should be checked periodically for tightness.



- Adjust the restraint strap to fit baby's body. To fasten restraint strap, insert the buckle as shown in Figure 2. To release, press inward on tabs.

(Fig. 2)



5. As a safety precaution, please follow the instructions enclosed to secure the changing table to the wall using tipping-restraint kit included.

- If you purchase the Pottery Barn Kids Contoured Changing Pad, place it in the large bounded area of the Changing Table for use.

CARE INSTRUCTIONS:

- Dust often using a clean, soft, dry lint-free cloth.
- Blot spills immediately, and wipe with a clean, damp, cloth.
- We do not recommend the use of chemical cleansers, abrasives, or furniture polish on our lacquered finish.
- Check fasteners periodically for tightness. **DO NOT over tighten.** This may cause distortion or breakage.
- Parents should ensure a safe environment for the child by checking regularly, before placing the child in the product, that every component is properly and securely in place.

Thank you for your purchase
stores | catalog | www.potterybarnkids.com
USA 1.800.290.8181