

# pottery barn kids

## thomas bench cushion

### PRE-ASSEMBLY:

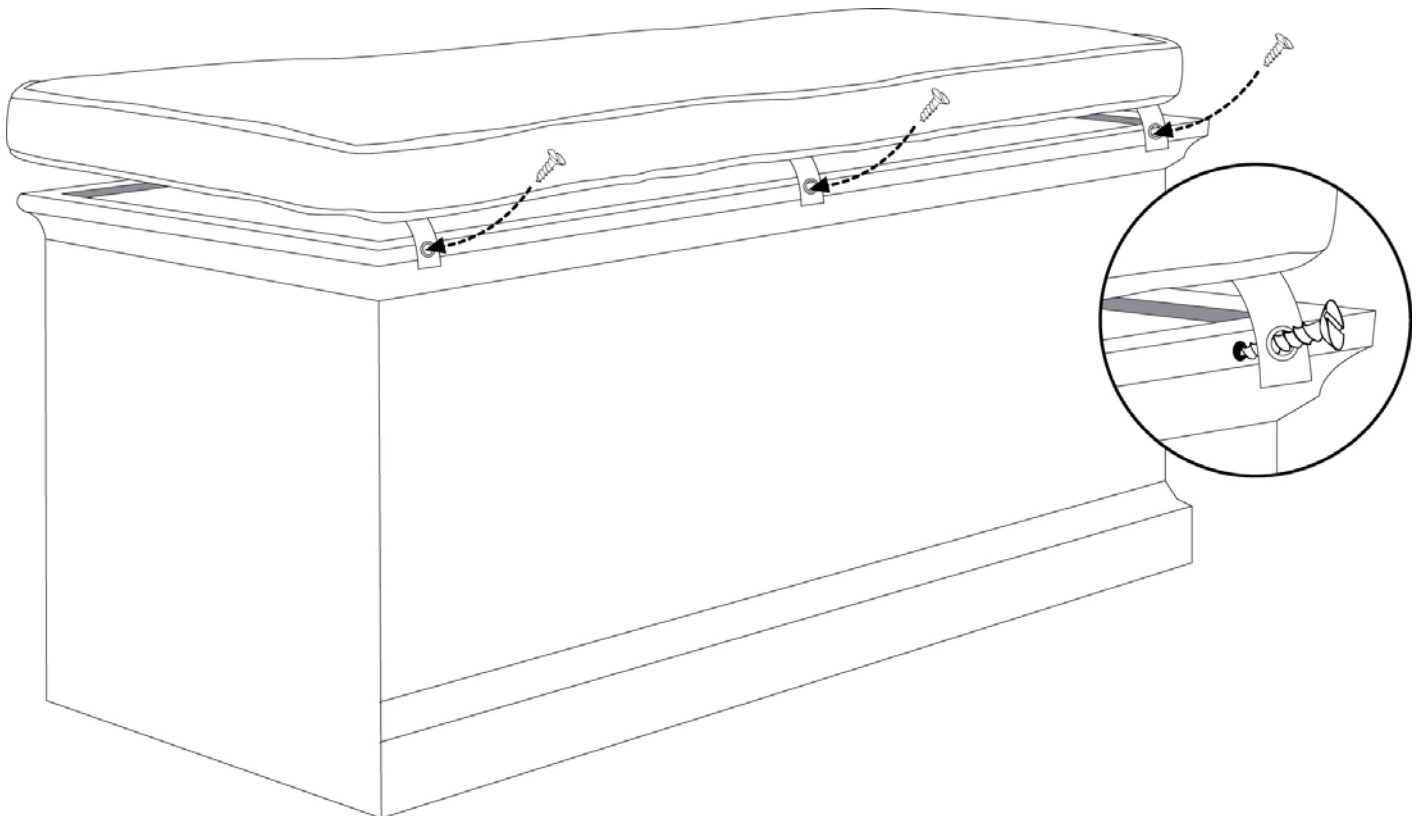
- Please read all instructions carefully before assembling.
- Save all packing materials until assembly is complete to avoid accidentally discarding smaller parts or hardware.
- The use of power tools during the assembly of this item can cause the hardware to strip or the wood to split. Please proceed with extreme care.

### PARTS INCLUDED:

(A) Screw ---3 pcs

### ASSEMBLY INSTRUCTIONS:

1. Place the bench cushion on the bench and place the grommets of the 3 webbing tabs over the holes on the back of the bench.
2. Insert and fasten the PHS screws to secure the cushion to the bench.
3. Assembly is complete.



### CARE INSTRUCTIONS:

- Cushion: Spot clean with a damp white cloth, blot to remove excess water, air dry.

Thank you for your purchase  
stores | catalog | [www.potterybarnkids.com](http://www.potterybarnkids.com)  
USA 1.800.290.8181