

pottery barn kids

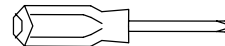
THOMAS ARMOIRE

PRE-ASSEMBLY:

- Please read all instruction before beginning assembly.
- We recommend adult assembly with (2) people for maximum safety.
- On a soft, scratch-free surface, such as a carpet or rug, remove the armoire from box.
- Save all packing materials until assembly is complete to avoid accidentally discarding smaller parts or hardware. One extra knob is included for your convenience.

TOOLS NEEDED:

Phillips head screwdriver (not included)



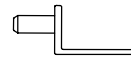
PARTS INCLUDED:

A – Turning Feet (x4)

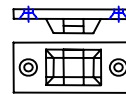


HARDWARE:

B - Shelf support pegs (x12)



C – Bracket 48x21x10mm (x2)



D – Long screw 6x32mm (x2)



E –Short screw 6x19mm (x2)

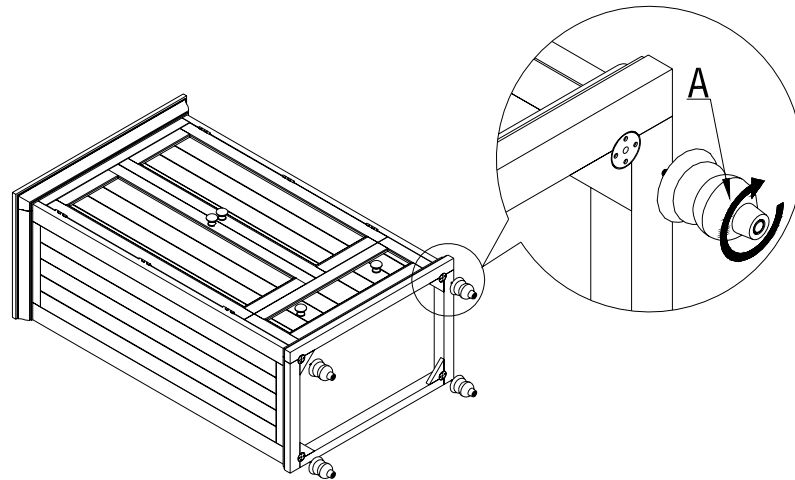


F – Nylon strap 300x12x8mm (x1)

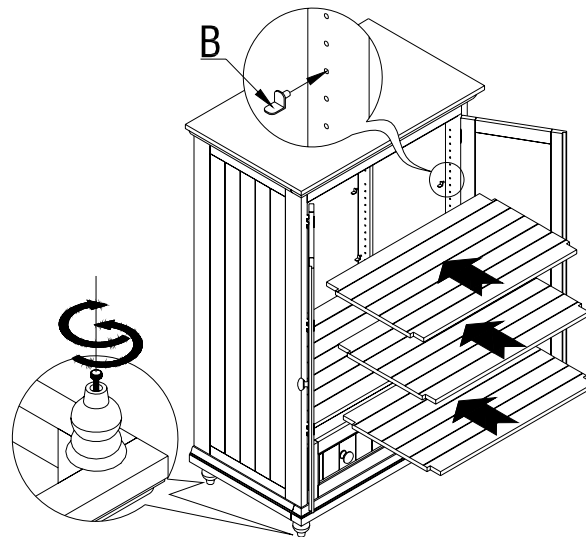


ASSEMBLY:

1. Thread the Feet (A) into the pre-drilled holes at the bottom of Armoire and tighten firmly.
2. Carefully raise the Armoire upright onto its feet.



3. Determine the desired height for the shelves using the corresponding peg holes on the interior of the Armoire walls.
4. Insert the Shelf support pegs (B) into the pre-drilled holes until fully secure. Place shelf on the support pegs ensuring the shelf is stable.



FURNITURE TIPPING RESTRAINT

Young children may be injured by tipping furniture. The use of a tipping restraint is highly recommended. When properly installed, this restraint could provide protection against the unexpected tipping of furniture due to small tremors, bumping or climbing. We recommend mounting this restraint to a wall stud.

WARNING: This product is only a deterrent. It is not a substitute for proper adult supervision.

Hardware Included:

C – Brackets (x2)

D - Long screws (x2)

E - Short screws (x2)

F - Nylon strap (x1)

INSTALLATION INSTRUCTIONS:

1. Locate a wall stud behind your furniture, Position a Bracket (C) on the stud approximately 1" below the top of the furniture. Mark and drill pilot hole into the center of the stud with a 3/32" drill bit. Attach a Bracket (C) to the stud with the Long screws (D) provided.
2. On the back of the furniture, a Bracket (C) will need to be attached to the furniture frame at the top. To do this, temporarily move the furniture into its final position and mark the location of the wall bracket on the furniture frame. Move the furniture away from the wall and place a bracket on the mark. Mark and drill holes for screws with a 3/32" drill bit. Attach the bracket to the furniture with the Short screws (E) provided.
3. Move the furniture into its final position, taking care to line up the wall bracket with the furniture bracket. Thread strap through the bracket as shown in the illustration. Tighten Strap (F) until snug. Do not over tighten.

