

pottery barn kids

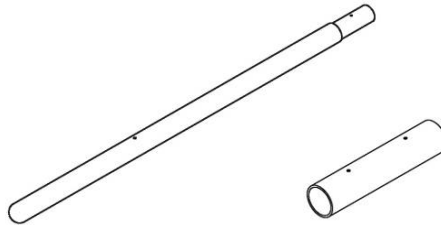
TEEPEE

PRE-ASSEMBLY:

- Read all instructions before beginning assembly. The illustrations provided allow for easier assembly when used in conjunction with the assembly instructions.
- For your safety and ease, assembly by two adults is recommended.
- Remove all part and hardware from the box and lay out on a clean, carpeted, or scratch-free work surface. Use care as some parts or hardware may have sharp points or edges.
- Do not dispose of any contents until assembly is completed to avoid accidentally discarding small parts and hardware.
- Use the parts and hardware lists to identify and separate each of the pieces included.
- Note: Do not fully tighten all bolts until all parts are in place. Failure to follow these instructions may cause the bolts misalign during assembly.
- The use of power tools for assembly is not recommended. Power tools can damage hardware or split wood.

PARTS INCLUDED:

- A** Posts (10)
- B** Plastic Connectors (5)



PARTS REQUIRED (packaged separately):

- C** Teepee Fabric Cover (1)
- D** Fabric Tie (1)

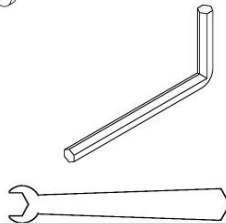
HARDWARE INCLUDED:

- E** Bolt and Nut Set (10)



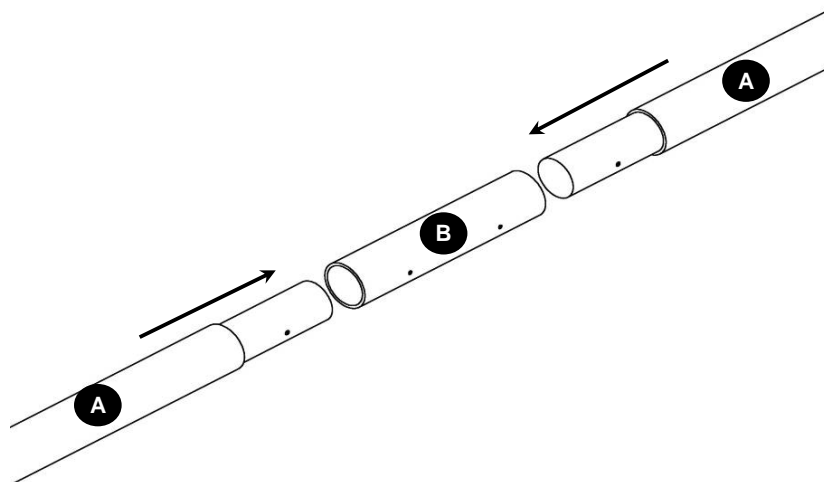
TOOLS REQUIRED:

- F** Allen Key (included) (1)
- G** Wrench (included) (1)

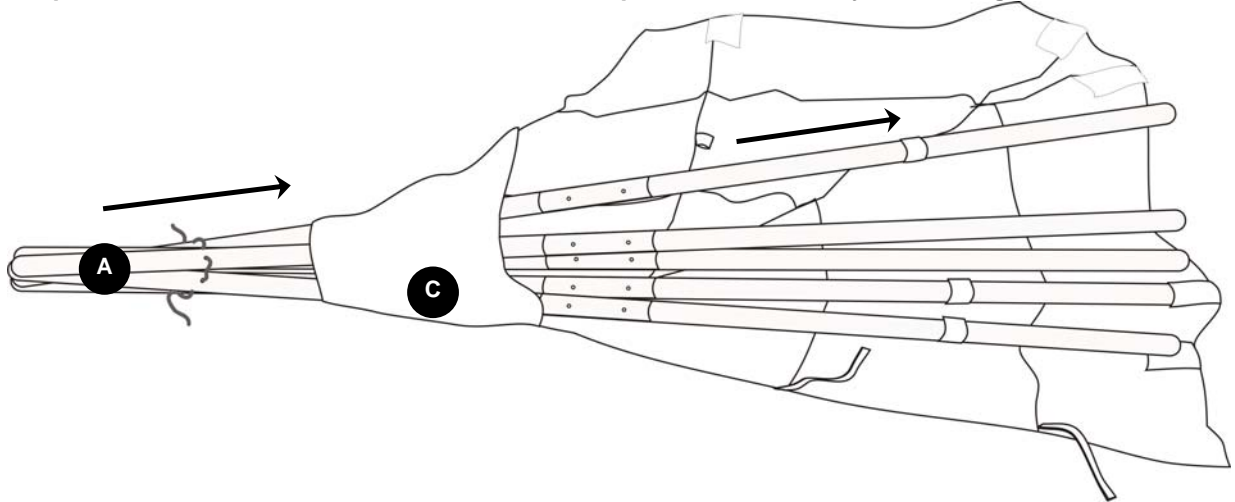


ASSEMBLY INSTRUCTIONS:

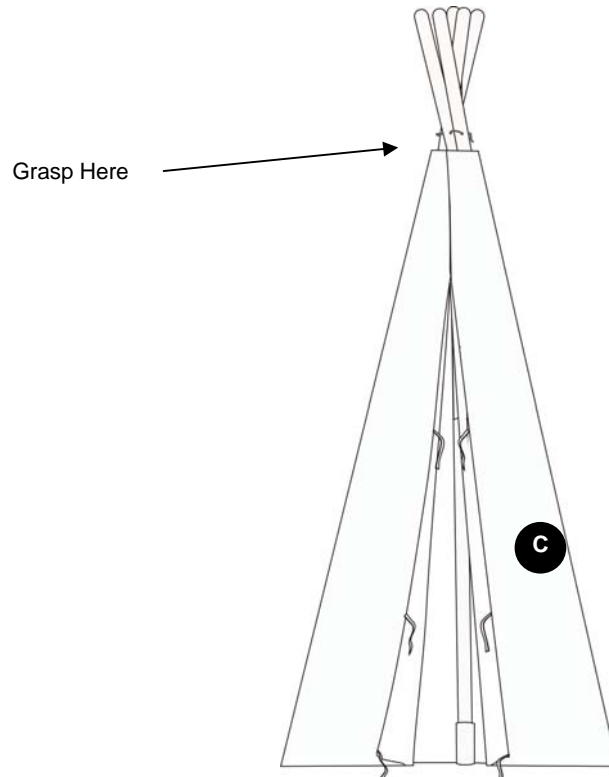
1. Connect (2) Posts (A) to one Plastic Connector (B), (Figure 1). Repeat until all (5) Teepee Poles are assembled.



5. Insert the assembled poles through the top of the Fabric Cover. Then, insert each pole through the middle cuff and into the bottom cuff on the interior of the Teepee Fabric, as shown. **Ensure that the poles are inserted into the cuffs in the same sequence in which they are tied together.**



6. Turn the Teepee upright and spread posts apart. For best results, follow these steps to adjust the Teepee: First, pull the fabric cover upward with two hands. Second, grasp all 5 poles near the fabric ties and push downward on the posts. On carpeted floors, you may need to spread the poles by hand. Repeat this process until the poles are aligned and the fabric is stretched evenly over the Teepee.



CARE INSTRUCTIONS :

- Dust often using a clean, soft, dry lint-free cloth.
- Blot spills immediately, and wipe with a clean, damp, cloth.
- We do not recommend the use of chemical cleansers, abrasives, or furniture polish.
- For fabric: spot clean only with a damp white cloth. Blot to remove excess water. Air dry.

Thank you for your purchase
stores / catalog / www.potterybarnkids.com
1.800.290.8181