

pottery barn kids

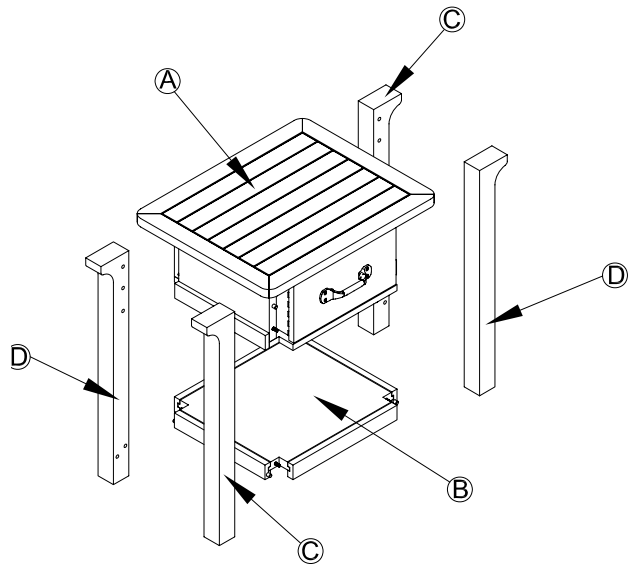
SPEED BOAT NIGHTSTAND

PRE-ASSEMBLY:

- Remove all parts and hardware from box and lay out on a carpeted or scratch-free work surface (The shipping box provides an ideal work surface), as this will avoid damaging any parts during assembly. Do not dispose of any contents until assembly is completed to avoid accidentally discarding small parts or hardware.
- Two people are recommended for ease of assembly.
- Use the parts and hardware lists to identify and separate each of the pieces included prior to starting assembly.
- The illustrations provided allow for easier assembly when used in conjunction with the assembly instructions.
- Note: Do not fully tighten all bolts until all parts are in place. Failure to follow these instructions may cause the bolts to misalign during assembly.
- If using power tools to aid in assembly please use caution. Power tools can damage hardware of split wood.

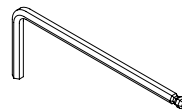
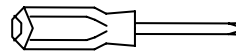
PARTS INCLUDED:

- A – Top panel with drawer (x1)
- B – Bottom panel(x1)
- C – Front left leg & Rear right leg (x2)
- D – Front right leg & Rear left leg (x2)



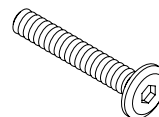
TOOLS REQUIRED:

- Phillips head screwdriver (not included)
- E – Ball Tip Allen Key (included)

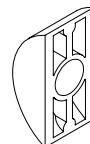


HARDWARE:

- F – Allen bolt 1/4"x38x11.5mm (x12)

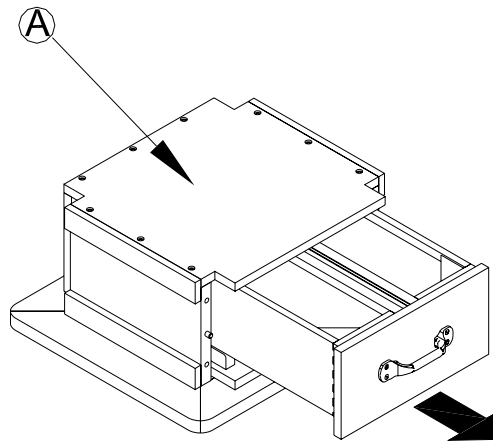


- G – Half moon washer 1/4"x24x8mm (x12)

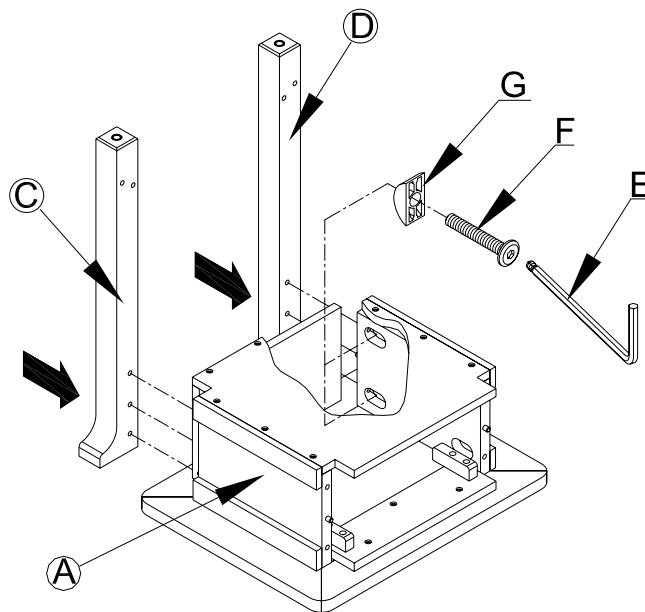


ASSEMBLY:

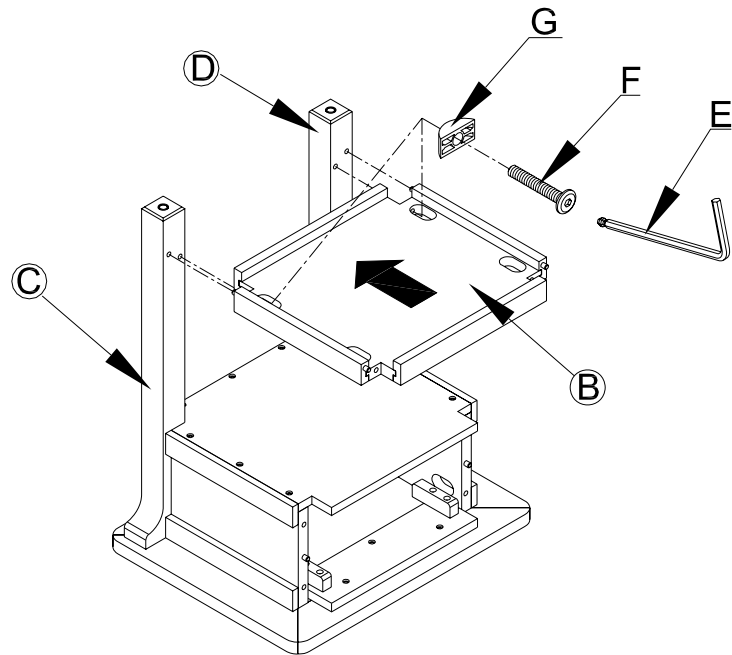
1. Lay the Top panel with drawer (A) down in the illustration below. Take away the drawer box as shown.



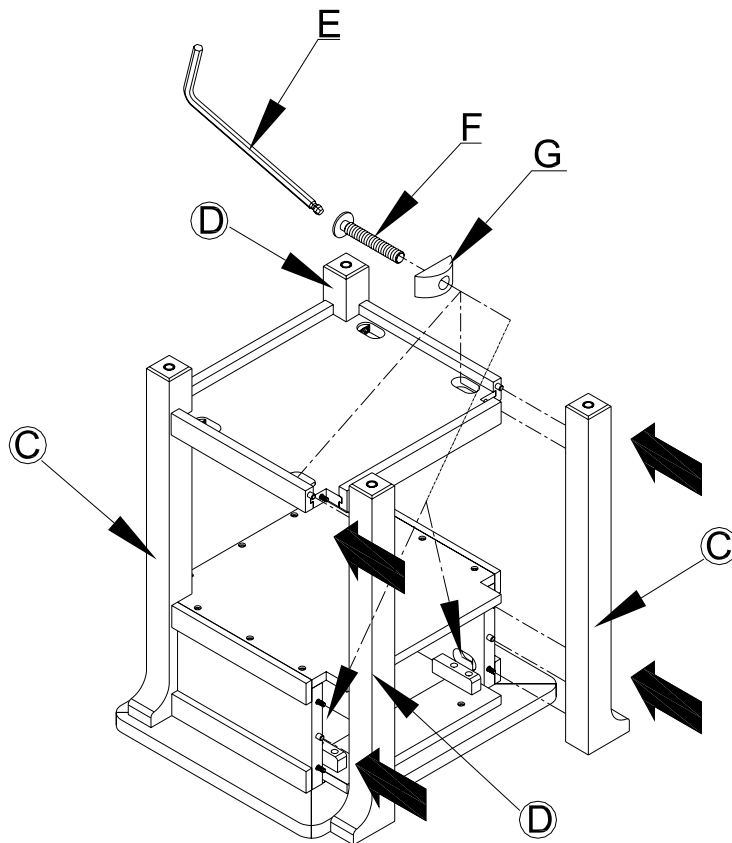
2. Fix the Leg (C) and (D) 1pcs each to the Top Panel (A) using 4pcs Allen bolt 1/4"x38x11.5mm (F) and 4pcs Half moon washer 1/4"x24x8mm (G), tighten with Allen key (E).



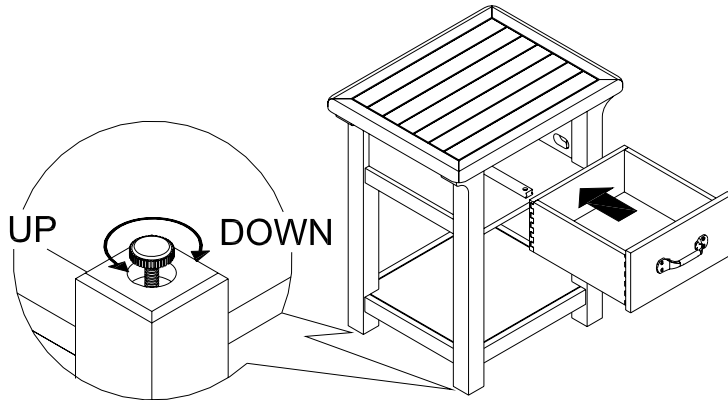
3. Attach the Bottom panel (B) to the Leg (C) and (D) using 2pcs Allen bolt 1/4"x38x11.5mm (F) and 2pcs Half moon washer 1/4"x24x8mm (G), tighten with Allen key (E).



4. Repeat the same steps to remain Leg (C) and (D) as shown.



5. Put the drawer back to the Top panel. **Caution:** Adjust levers on the feet of the unit in or out to ensure that it stands secure and does not rock



Thank you for your purchase

stores | catalog | www.potterybarnkids.com