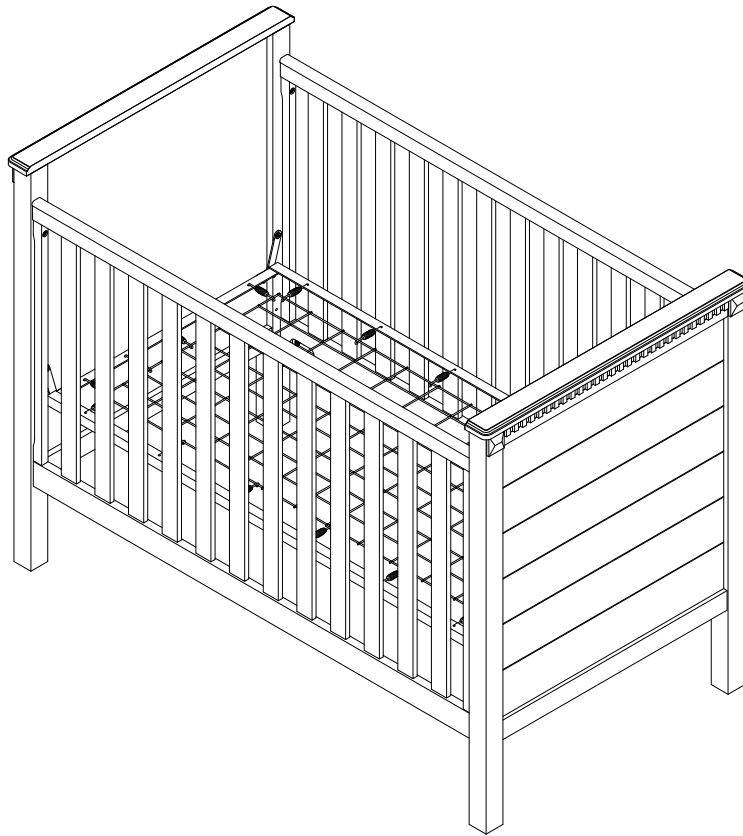


# pottery barn kids



**RORY CRIB**

[www.potterybarnkids.com](http://www.potterybarnkids.com)



## WARNING

- Do not use this crib if you cannot exactly follow the accompanying instructions.
- Do not use this crib for a child who can climb out of it, or who is taller than 89 cm.
- Do not place in or near this crib any cord, strap or similar item that could become wrapped around a child's neck.
- Do not place this crib near a window or a patio door where a child could reach the cord of a blind or curtain and be strangled.
- Ensure that the crib is safe by checking regularly that every part is properly and securely in place before placing the child in it. Do not use it if any parts are loose or missing or if there are any signs of damage. Do not substitute parts. Contact Pottery Barn Kids if replacement parts or additional instructions are needed.
- Use a crib mattress that is no thicker than 15 cm and is of such a size that, when it is pushed firmly against any side of the crib, it does not leave a gap of more than 3 cm between the mattress and any part of the sides of the crib.
- Children can suffocate on soft bedding. Do not place pillows, comforters or soft mattresses in this crib.

04-000052-8



## WARNING: Failure to follow these warnings and assembly instructions

could result in serious injury or death.

- Read all instructions before assembling crib. KEEP INSTRUCTIONS FOR FUTURE USE.
- Never use plastic shipping bags or other plastic film as mattress covers because they can cause suffocation.
- Infants can suffocate in gaps between the crib sides and a mattress that is too small.
- Infants can suffocate on soft bedding. Never add a pillow or comforter. Never place additional padding under an infant.
- To reduce the risk of SIDS, pediatricians recommend healthy infants be placed on their backs to sleep, unless otherwise advised by your physician.
- STRANGULATION HAZARD: Strings can cause strangulation! Do not place items with a string around a child's neck, such as hood strings or pacifier cords. Do not suspend strings over a crib or attach strings to toys.
- To help prevent strangulation tighten all fasteners. A child can trap parts of the body or clothing on loose fasteners.
- DO NOT place crib near window where cords from blinds or drapes may strangle a child
- FALL HAZARD: When child is able to pull to a standing position, set mattress to lowest position and remove bumper pads, large toys and other objects that could serve as steps for climbing out.
- Stop using crib when child begins to climb out or reaches the height of 35 in. (89cm).
- Check this product for damaged hardware, loose joints, loose bolts or other fasteners, missing parts or sharp edges before and after assembly and frequently during use. Securely tighten loose bolts and other fasteners. DO NOT use crib if any parts are missing, damaged or broken. Contact Pottery Barn Kids for replacement parts and instructional literature if needed. DO NOT substitute parts.
- DO NOT use a water mattress with this crib.
- Replace teething rail if damaged, cracked, or loose. NOTE: This is only for cribs with teething rails
- If refinishing, use a non-toxic finish specified for children's products.
- Do not remove the metal brackets from the mattress base after installation. NOTE: This is only for cribs supplied with a wooden mattress base.
- Follow warnings on all products in a crib.

04-000056-7



# CAUTION: ANY MATTRESS USED IN THIS CRIB MUST BE AT LEAST 27 1/4" (69 CENTIMETERS) BY 51 5/8" (131 CENTIMETERS) WITH A THICKNESS NOT EXCEEDING 6" (15 CENTIMETERS)

THIS CRIB CONFORMS TO APPLICABLE REGULATIONS PROMULGATED BY THE CONSUMER PRODUCT SAFETY COMMISSION.

04-000094-3

## IMPORTANT SAFETY INSTRUCTIONS:

- Please read all instructions carefully before assembling.
- For your safety, assembly by two or more adults is recommended.
- Keep instructions for future use.
- Use only vendor supplied hardware to assemble. Using unauthorized hardware could jeopardize the structural integrity of the item.
- Do not remove warning labels from the crib. Labels are permanent and not designed to be removed.

## PRE-ASSEMBLY:

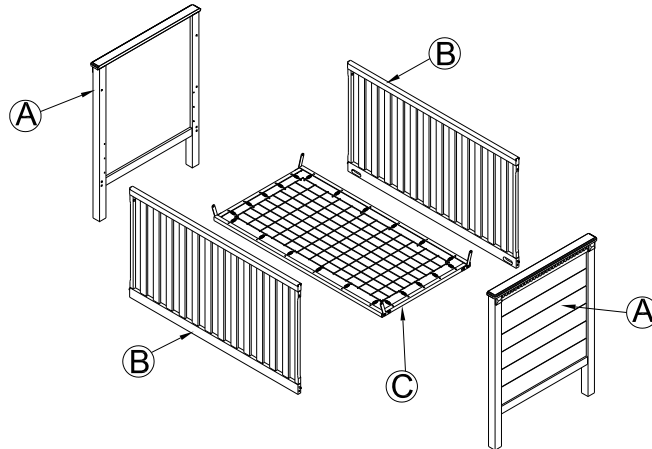
- Remove all parts and hardware from the box and place them on a carpet, or scratch-free work surface, as this will avoid damaging parts during assembly. The shipping box provides an ideal work surface.
- To avoid accidentally discarding small parts or hardware, do not dispose of any packaging or contents of the shipping carton until assembly is complete.
- Use the parts and hardware lists below to identify and separate each of the pieces included.
- The illustrations provided allow for easier assembly when used in conjunction with the assembly instructions.
- The use of power tools to aid in assembly is not recommended. Power tools can damage hardware and split wood.

## PARTS INCLUDED:

(A) CRIB END (2x)

(B) CRIB STATIONARY SIDE (2x)

(C) MATTRESS BASE (1x)

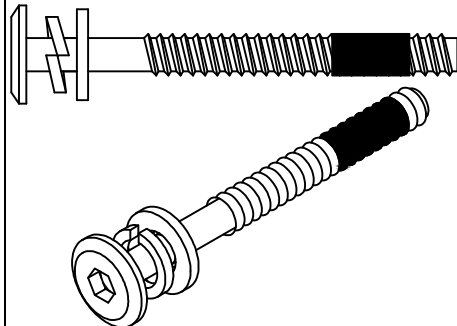


## HARDWARE INCLUDED :

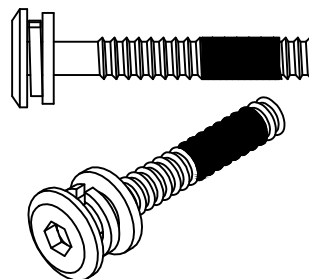
( D ) Allen Key - (1x)



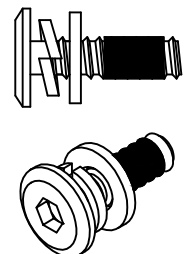
(E) Bolt M6 x 57 - (4x)



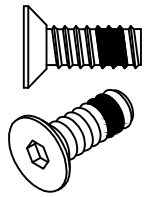
(F) Bolt M6 x 38 - (4x)



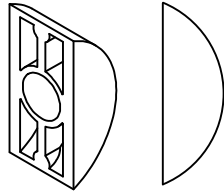
( G ) Bolt M6 x 19 - (4x)



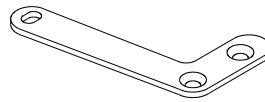
(H) Bolt M6 x 15 – (8x)



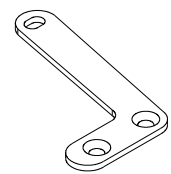
(I) Half moon Washer 1/4" x 24 – (4x)



(J) Left Bracket – (2x)



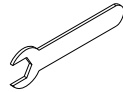
(K) Right Bracket – (2x)



(L) Acorn Nut M6x10 – (8x)



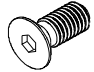

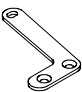
(M) Open Wrench – (1x)

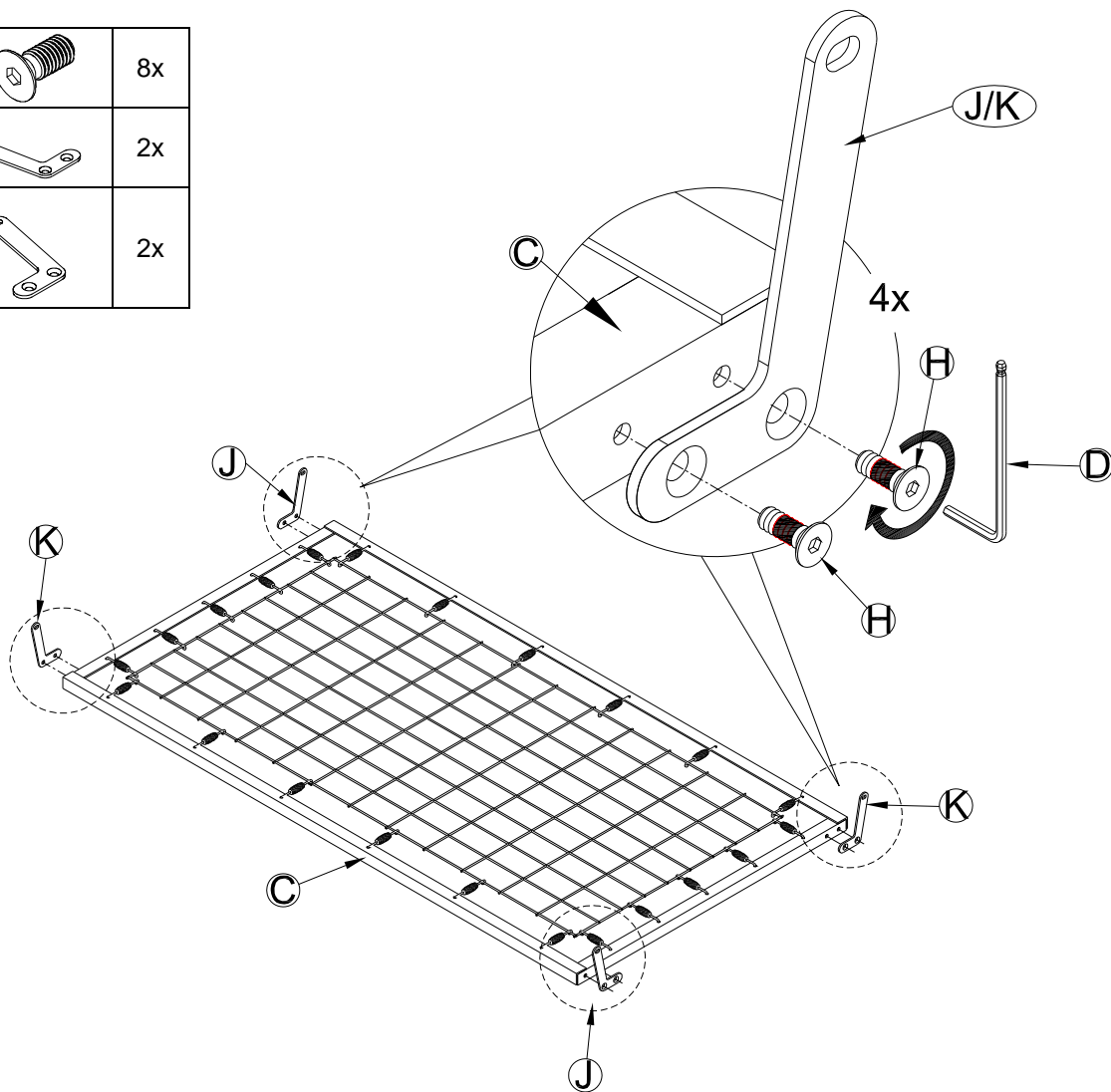


**ASSEMBLY INSTRUCTIONS:**



1. Attach (J&K) to (C). Use Allen Key (D) to tighten as shown below.

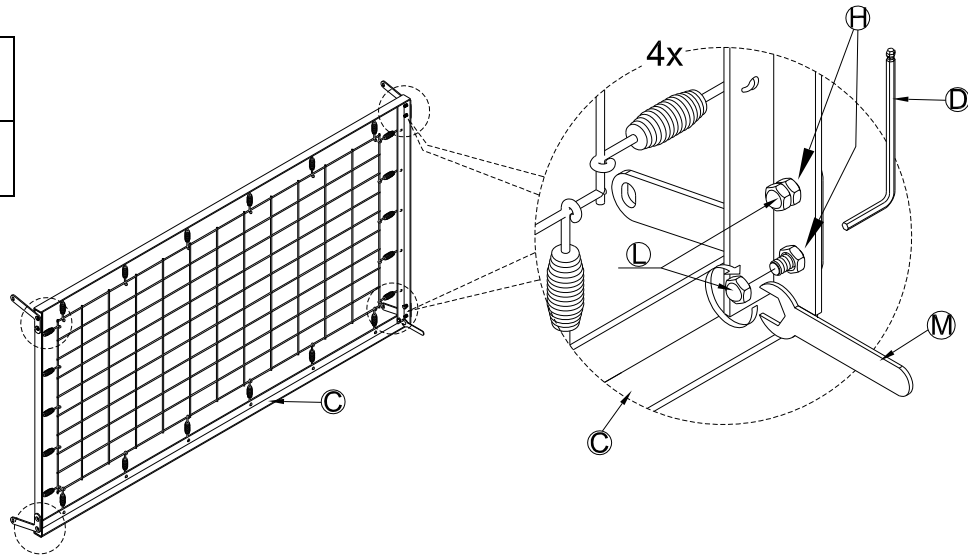
**Note:** Make sure the brackets (J&K) point outwards as shown below

H		8x
J		2x
K		2x



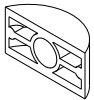


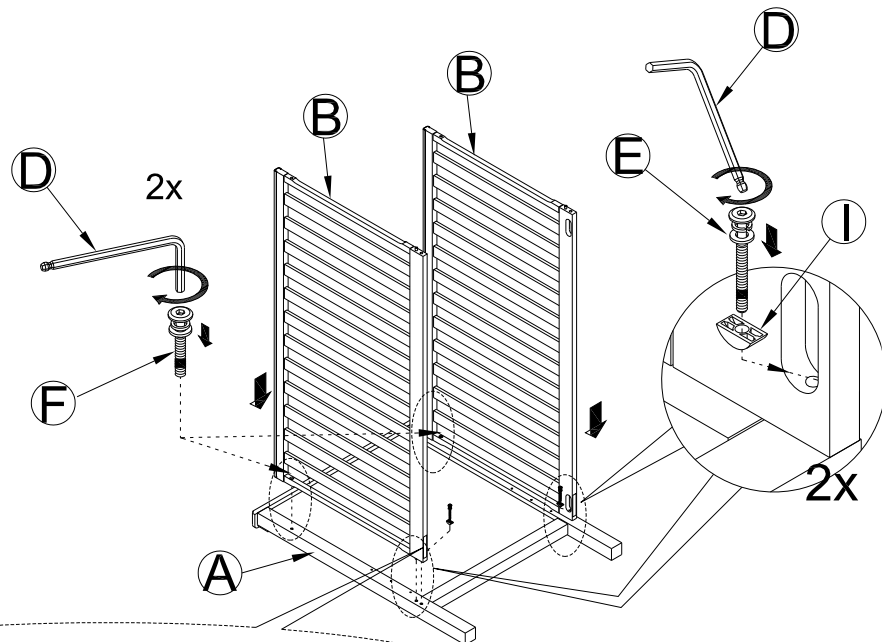
2. Attach (L) to (H). Use Open Wrench (M) and Allen Key (D) to tighten as shown below.

L		8x
M		1x



3. Attach (B) to (A) by aligning pre-drill holes with wooden dowels as shown below. Do not fully tighten bolts (E & F) at this time.

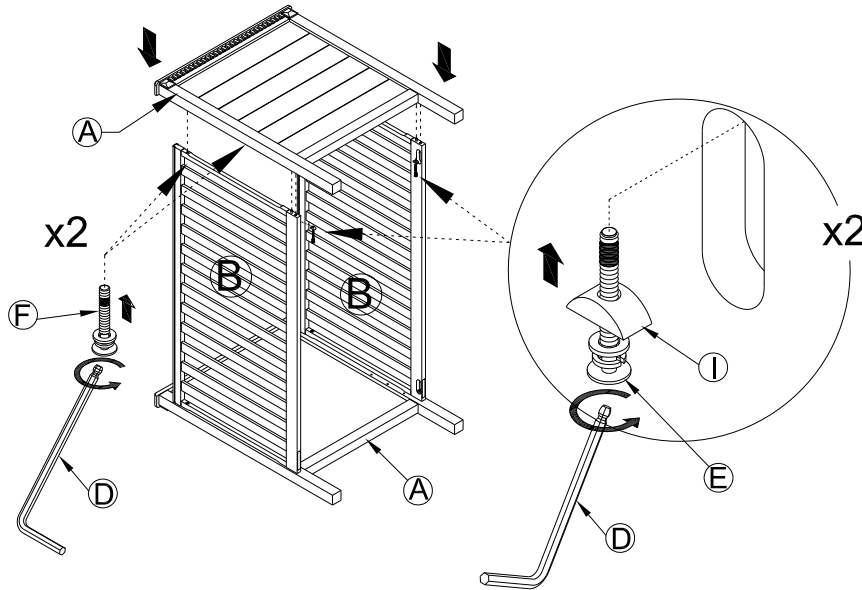
E		2x
F		2x
I		2x



THIS SIDE DOWN / CECOÂTEÙ VERS LE BAS  
 THIS SIDE IN ↓ CE COÂTEÙ VERS L'INTEÙRIEUR  
04-000142

**Arrow sticker side up. Arrow points inside.**

4. Attach (A) to (B) by aligning pre-drill holes with wooden dowels as shown below. Do not fully tighten bolts (E & F) at this time.



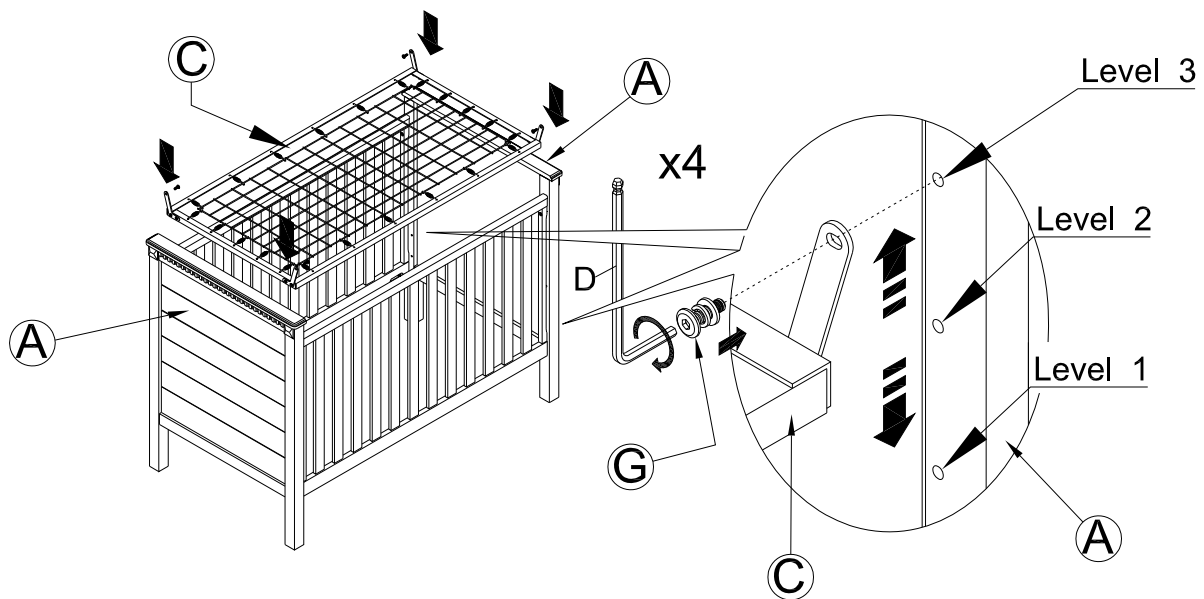
E		2x
F		2x
I		2x

**\*Note: The mattress base (C) should be at the highest level (Level 3) when the child is born. It must be at the lowest level (Level 1) before the child can stand up. Before installing the mattress base (C), please ask the customer at which height they want it installed.**

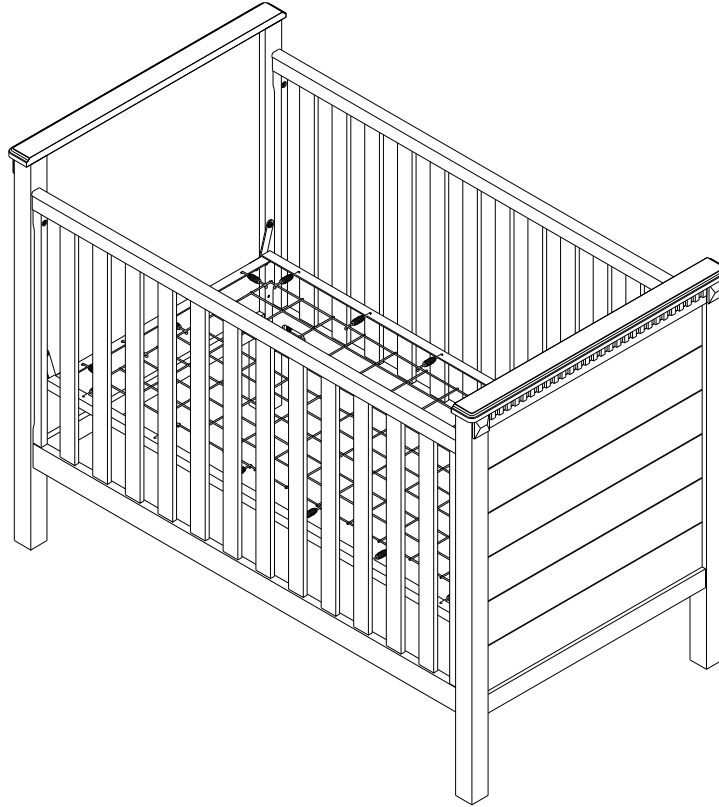
5. Determine the desired height of the Mattress Base (C). With the help of an adult, place the Mattress Base into the crib by carefully not to scratch the finish. Attach (C) to (A) as shown below. Do not fully tighten (G) at this time.

**\*Note: To change the position of the Mattress Base (C), remove bolts (G), line up the Mattress Base (C) with the holes at the desired height (Level 1, 2 or 3) and re-attach the Mattress Base (C) with bolts (G).**

G		4x
---	--	----



6. Check alignments and fully tighten all connections at this time.
7. Assembly is now complete.
8. Place the assembly instructions back into the envelope mounted on the mattress base for future reference.



#### **CARE INSTRUCTIONS**

- Dust often using a clean, soft, dry, lint-free cloth.
- Blot spills immediately, and wipe with a clean, damp cloth.
- We do not recommend the use of chemical cleansers, abrasives, or furniture polish on our lacquered finish.
- If the crib is to be stored, store in cool dry place and carefully package all original hardware to protect from loss or damage.
- Check fasteners periodically for tightness. **DO NOT** over tighten, as this may cause distortion or breakage.
- Parents should ensure a safe environment for the child by checking the crib regularly that every component is properly and securely in place, before placing the child in the product.

Thank you for your purchase.  
stores | catalog | [www.potterybarnkids.com](http://www.potterybarnkids.com)  
USA 1.800.290.8181