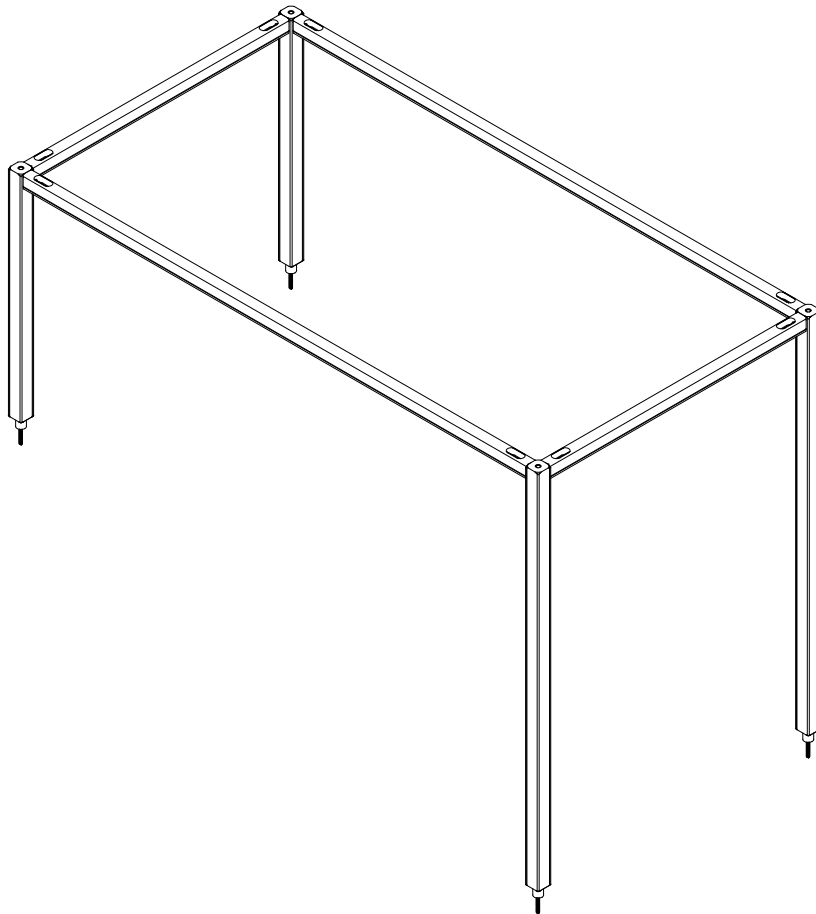


pottery barn kids



REMY CANOPY

www.potterybarnkids.com

Date: 2015-Mar.-03

Rev:

Page 1 of 6

Important Safety Instructions:

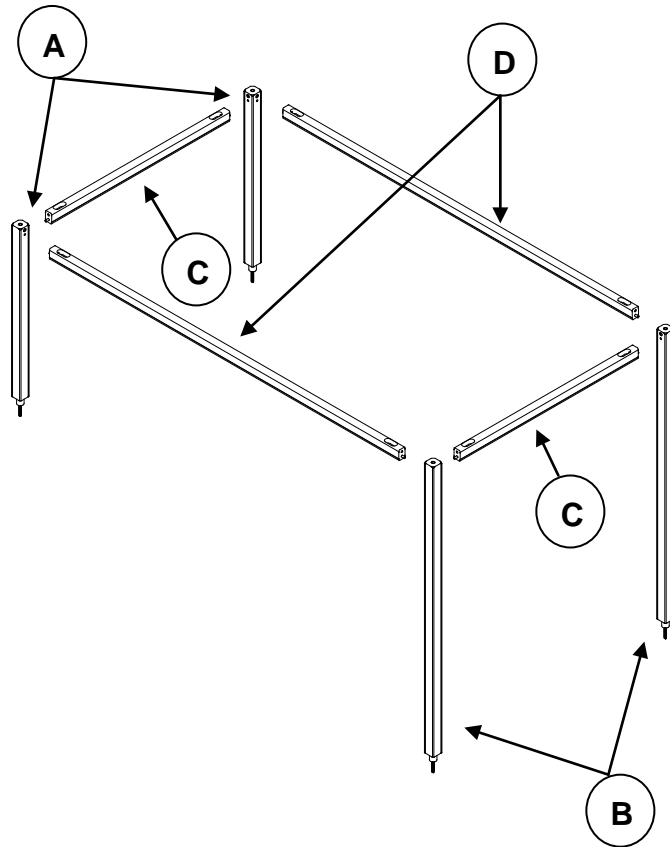
- Please read all instructions carefully before assembling.
- For your safety, assembly by two or more adults is strongly recommended.
- Keep instructions for future use.
- Use only vendor supplied hardware to assemble. Using unauthorized hardware could jeopardize the structural integrity of the item.

Pre-assembly:

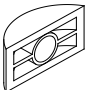


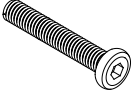

- Remove all parts and hardware from the box and lay out on a clear carpeted or scratch-free work surface, as this will avoid damaging parts during assembly. The shipping box provides an ideal work surface.
- Do not dispose of any packaging or contents of the shipping carton until assembly is completed to avoid accidentally discarding small parts or hardware.
- Use the parts and hardware lists below to identify and separate each of the pieces included.
- The illustrations provided allow for easier assembly when used in conjunction with the assembly instructions.
- The use of power tools to aid in assembly is not recommended. Power tools can damage hardware and split wood.

Parts Included:

- (A) Short canopy post (2x)
- (B) Long canopy post (2x)
- (C) Short canopy rail (2x)
- (D) Long canopy rail (2x)

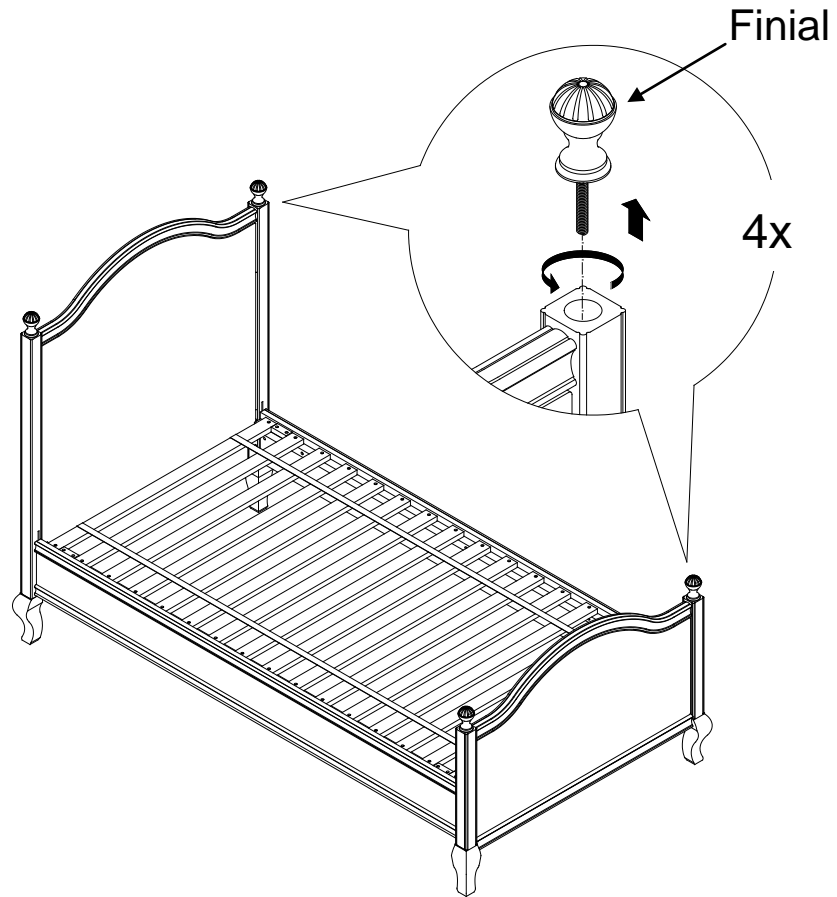


Hardware Included:

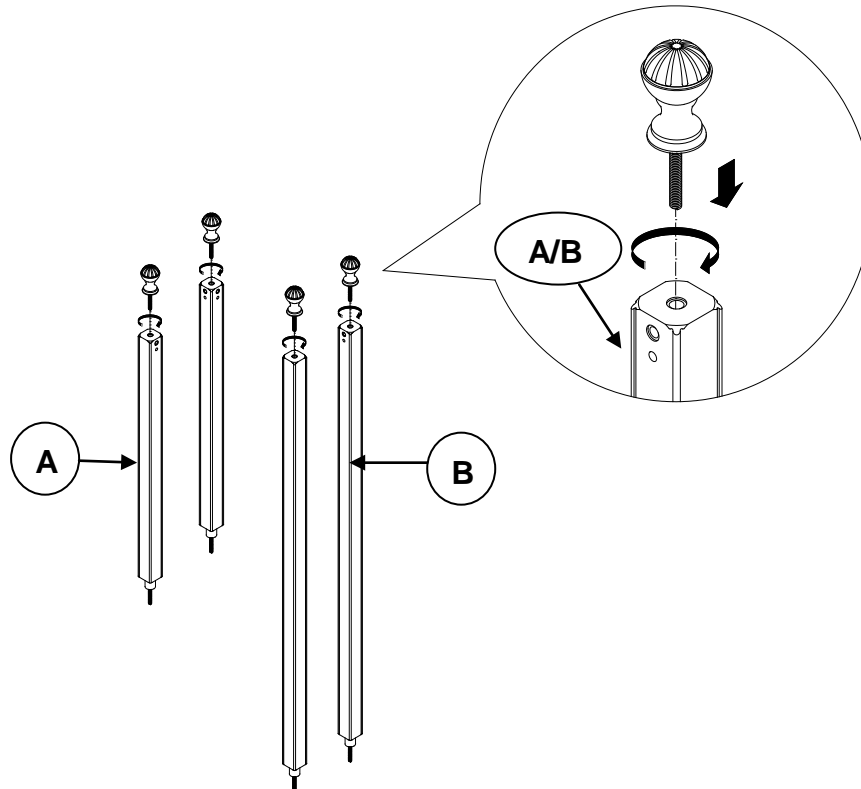
<p>(E) Half-moon washer M6 x 24mm - 8x</p> 	<p>(F) Flat washer M6 -8x</p> 	<p>(G) Lock washer M6 -8x</p> 	<p>(H) Allen bolt M6 x 55mm -8x</p> 
<p>(I) Allen key with ball tip - 1x</p> 			

Assembly Instruction Steps:

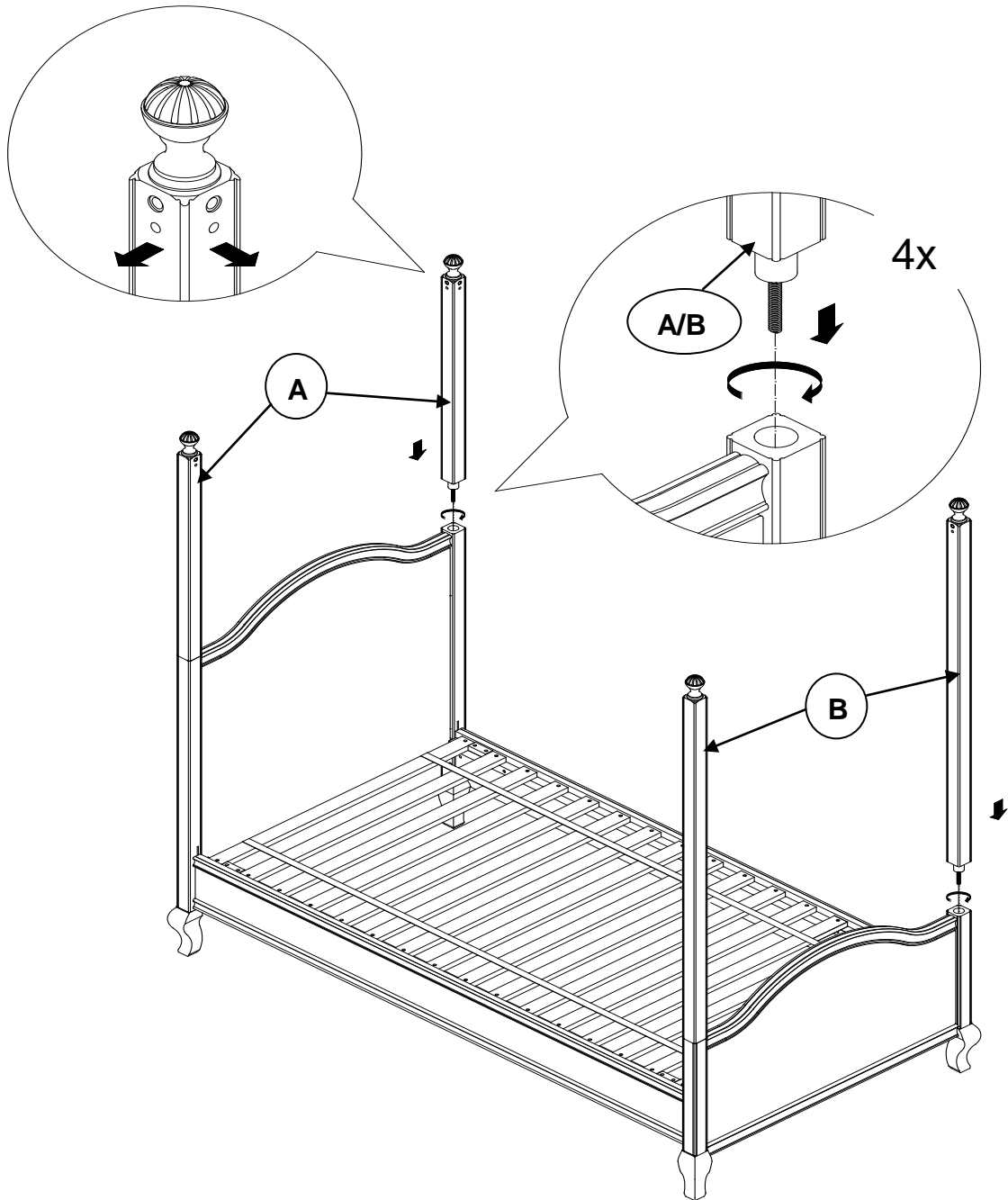
1. Remove finials from bed posts as shown below.



2. Attach the finials, that has just been removed above, onto the top of (A) and (B) as shown below.

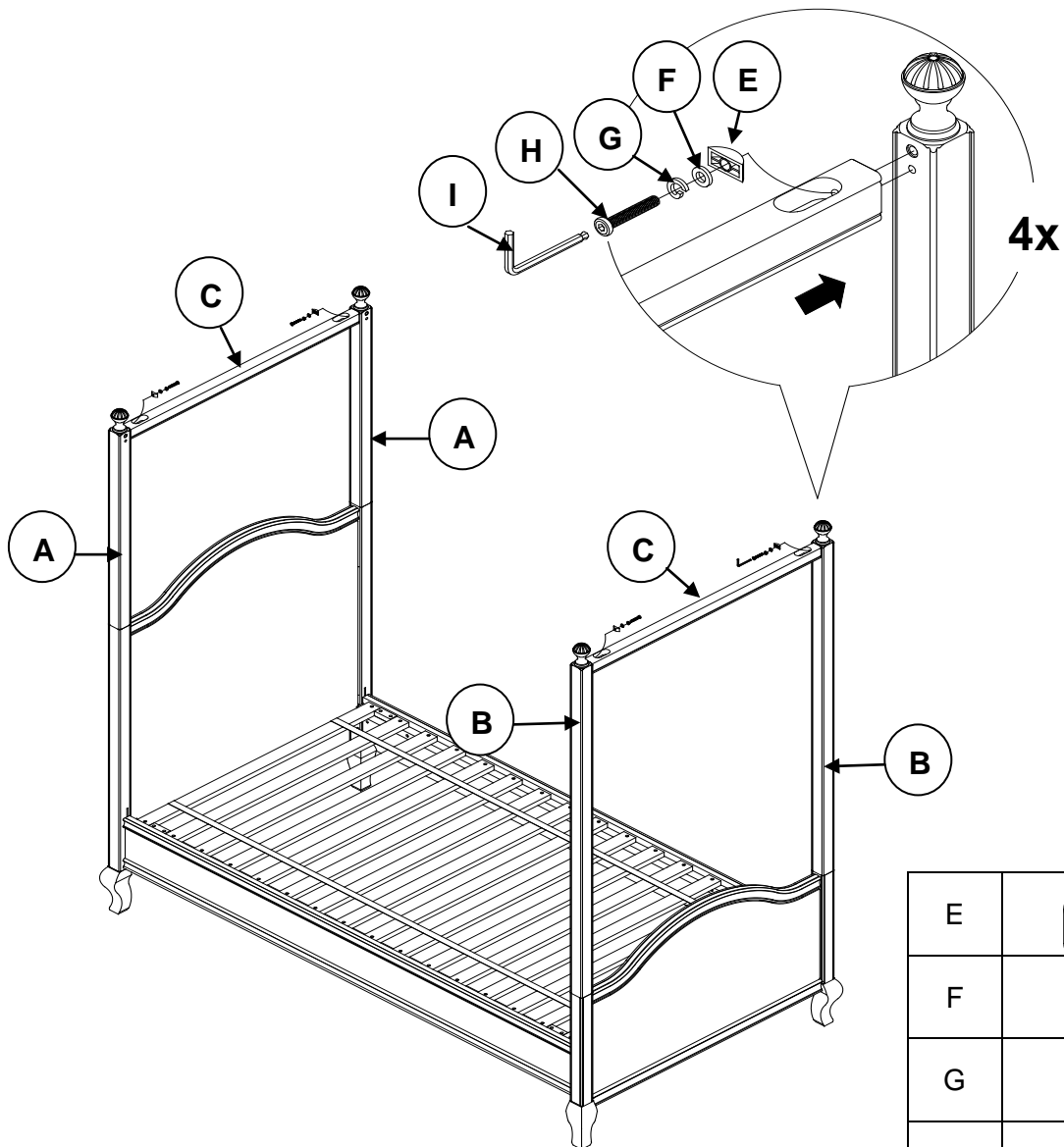


3. Thread (A) onto headboard posts and (B) onto footboard posts with holes facing inwards as shown below.



4. Attach (C) to (A&B) by aligning pre-fixed wooden dowels as shown below.

***Tip: See Image A for ease of assembly.**



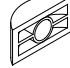



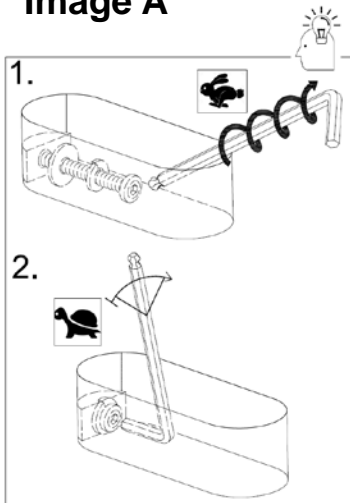
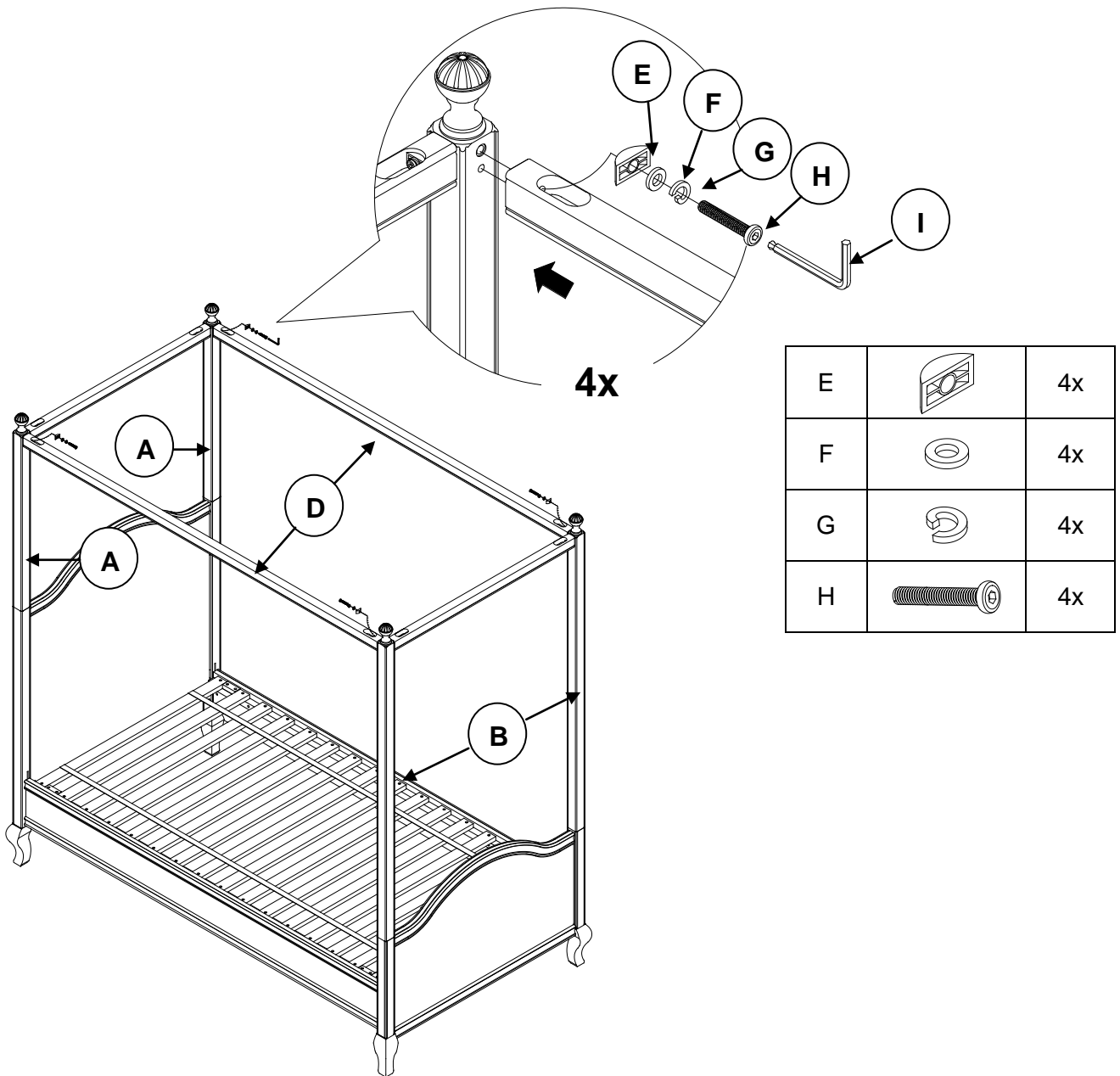
E		4x
F		4x
G		4x
H		4x

Image A



5. Attach (D) to (A&B) by aligning pre-fixed wooden dowels as shown below.

***Tip: See Image A (Page 5) for ease of assembly.**



6. Assembly is completed.

Care Instructions:

- Dust often using a clean, soft, dry and lint-free cloth.
- Blot spills immediately and wipe with a clean, damp, cloth.
- We do not recommend the use of chemical cleansers, abrasives or furniture polish on our lacquered finish.
- Hardware may loosen over time. Periodically check to make sure all connections are tight.
Re-tighten if necessary.

Thank you for your purchase
Stores | catalog | www.potterybarnkids.com
USA 1.800.290.8181