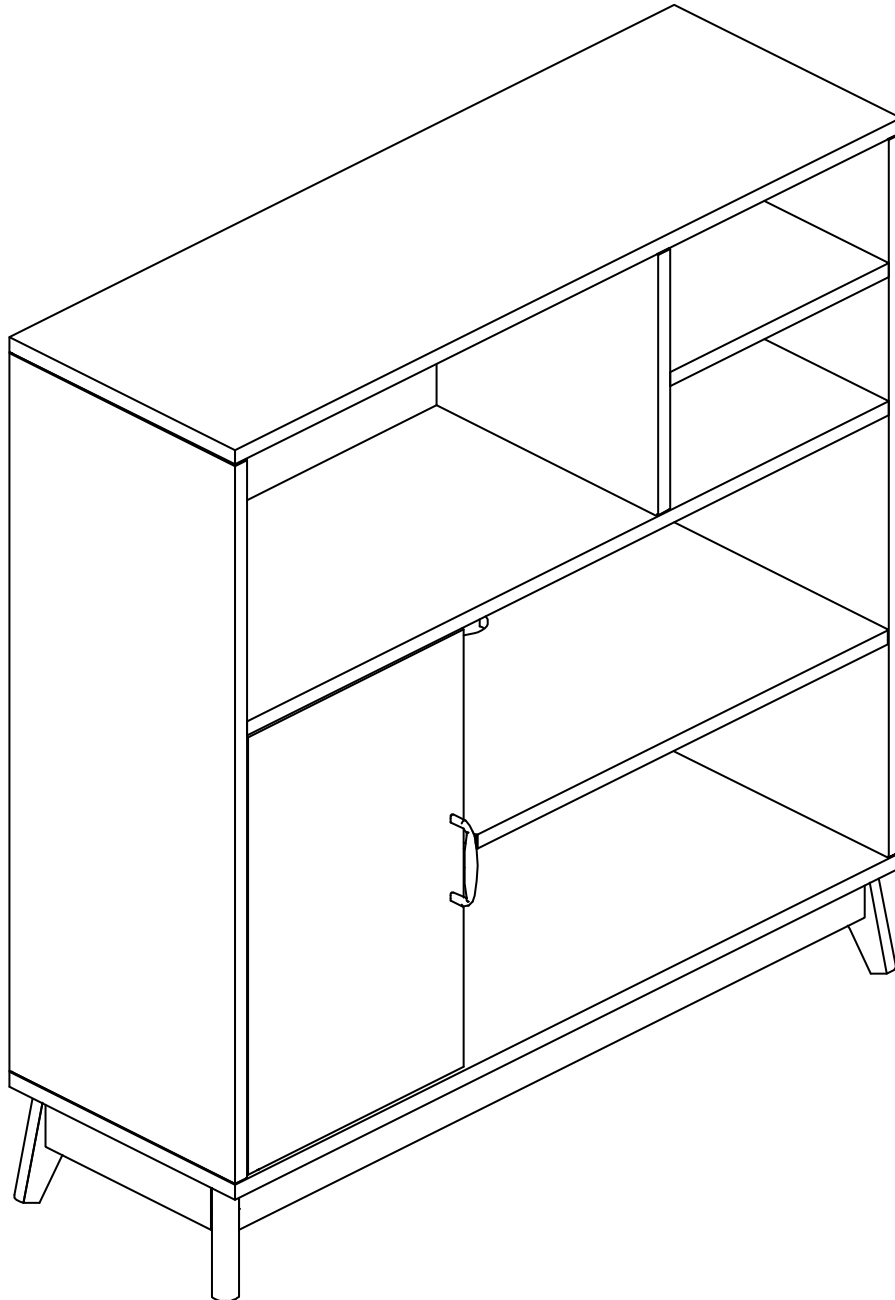


pottery barn kids



REESE STOARGE

www.potterybarnkids.com

Important Safety Instructions:

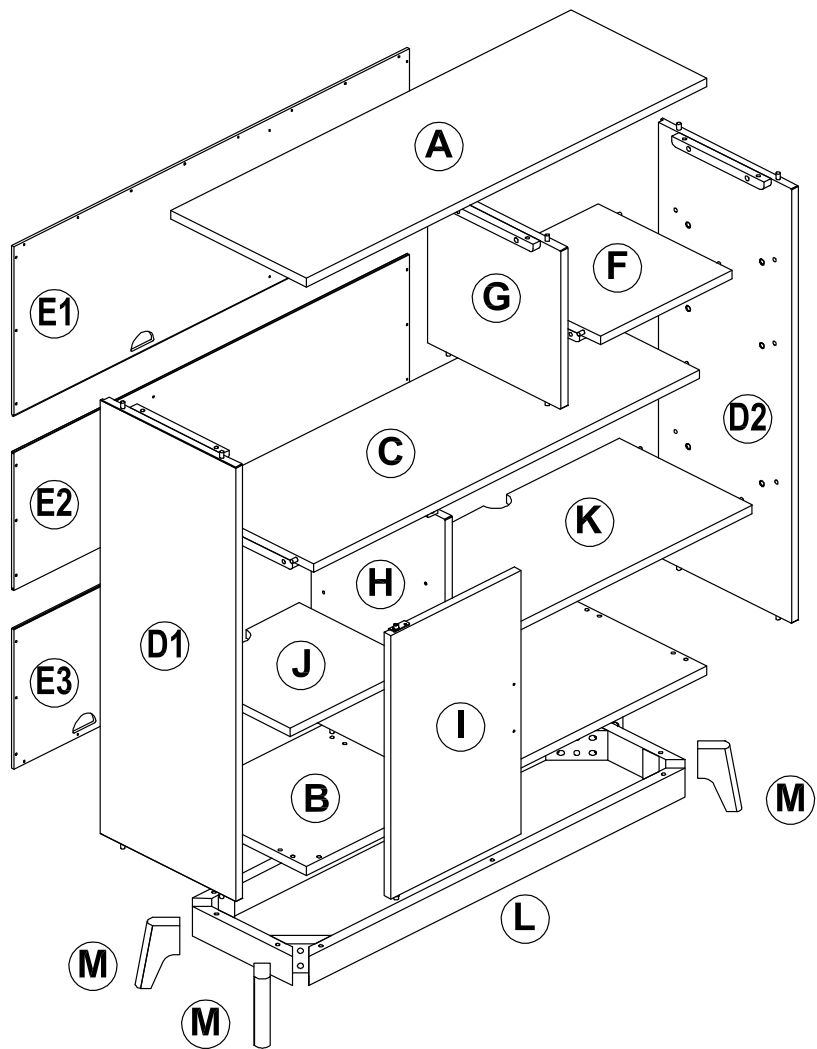
- Please read all instructions carefully before assembling.
- For your safety, assembly by two or more adults is strongly recommended.
- Keep instructions for future use.
- Use only vendor supplied hardware to assemble. Using unauthorized hardware could jeopardize the structural integrity of the item.

Pre-assembly:

- Remove all parts and hardware from the box and lay out on a clear carpeted or scratch-free work surface, as this will avoid damaging parts during assembly. The shipping box provides an ideal work surface.
- Do not dispose of any packaging or contents of the shipping carton until assembly is completed to avoid accidentally discarding small parts or hardware.
- Use the parts and hardware lists below to identify and separate each of the pieces included.
- The illustrations provided allow for easier assembly when used in conjunction with the assembly instructions.
- The use of power tools to aid in assembly is not recommended. Power tools can damage hardware and split wood.
- Note: Do not fully tighten all bolts until all parts are in place. Failure to follow these instructions may cause the bolts to misalign during assembly.

Parts Included:


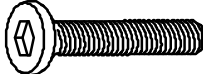


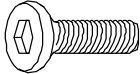
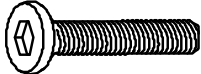


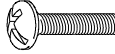

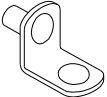

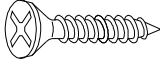
- (A) Top Panel (1x)
- (B) Bottom Panel (1x)
- (C) Long Shelf (1x)
- (D1) Left Side Panel (1x)
- (D2) Right Side Panel (1x)
- (E1) Top Back Panel (1x)
- (E2) Middle Back Panel (1x)
- (E3) Bottom Back Panel (1x)
- (F) Short Shelf (1x)
- (G) Top Divider (1x)
- (H) Bottom Divider (1x)
- (I) Door (1x)
- (J) Adjustable Shelf (1x)
- (K) Medium Shelf (1x)
- (L) Base (1x)
- (M) Leg (4x)



Tool Required: Philips Head Screwdriver (not included)

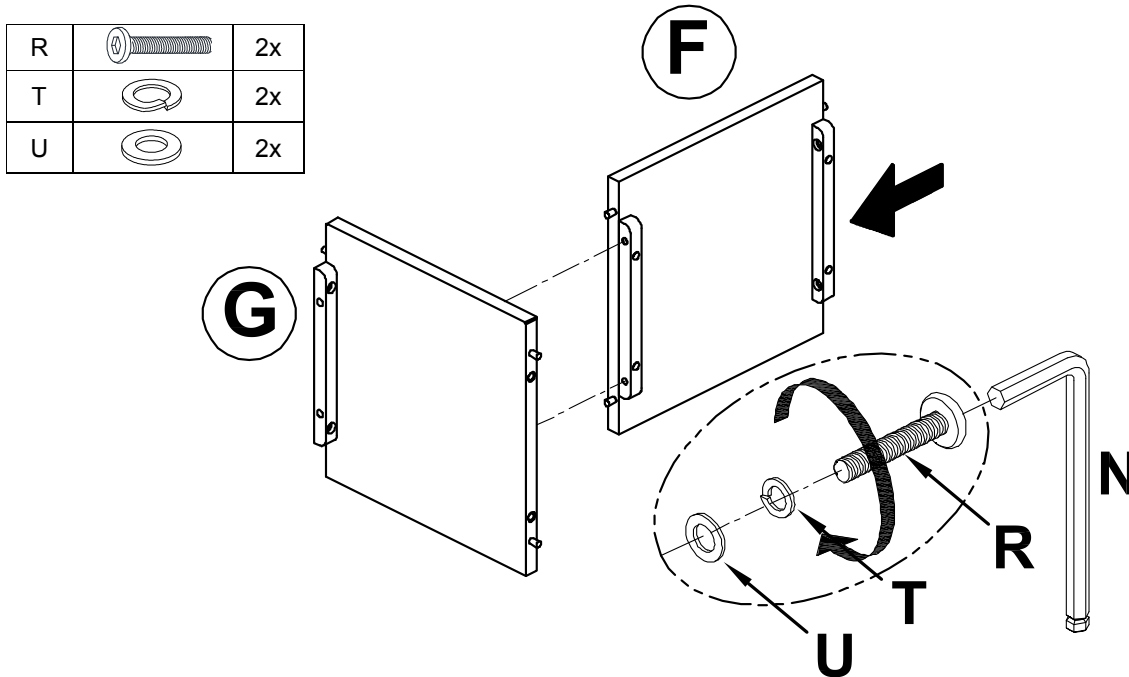


Hardware Included:

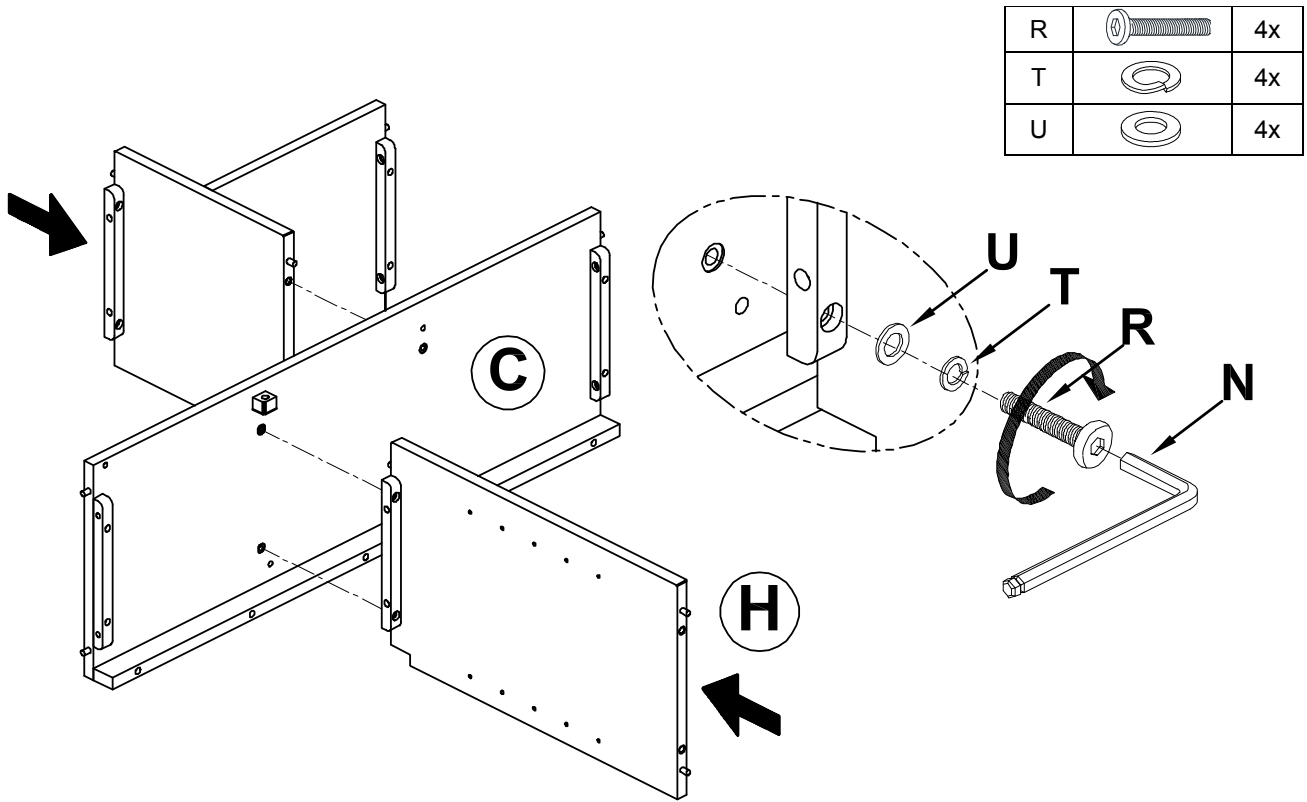
		
(N) Allen Key – 1x	(O) Bolt 5/16"x51mm – 8x	(P) Spring Washer 5/16" – 8x
		
(Q) Flat Washer 5/16" – 8x	(R) Bolt 1/4"x25mm – 28x	(S) Bolt 1/4"x51mm – 10x
		
(T) Spring Washer 1/4" – 38x	(U) Flat Washer 1/4" – 38x	(V) Machine Screw 5/32"x19mm – 2x
		
(W) Plastic Cap – 2x	(X) Shelf Support – 4x	(Y) Handle – 1x
		
(Z) Wood Screw 3.5x19mm – 43x		

Assembly Instruction Steps:

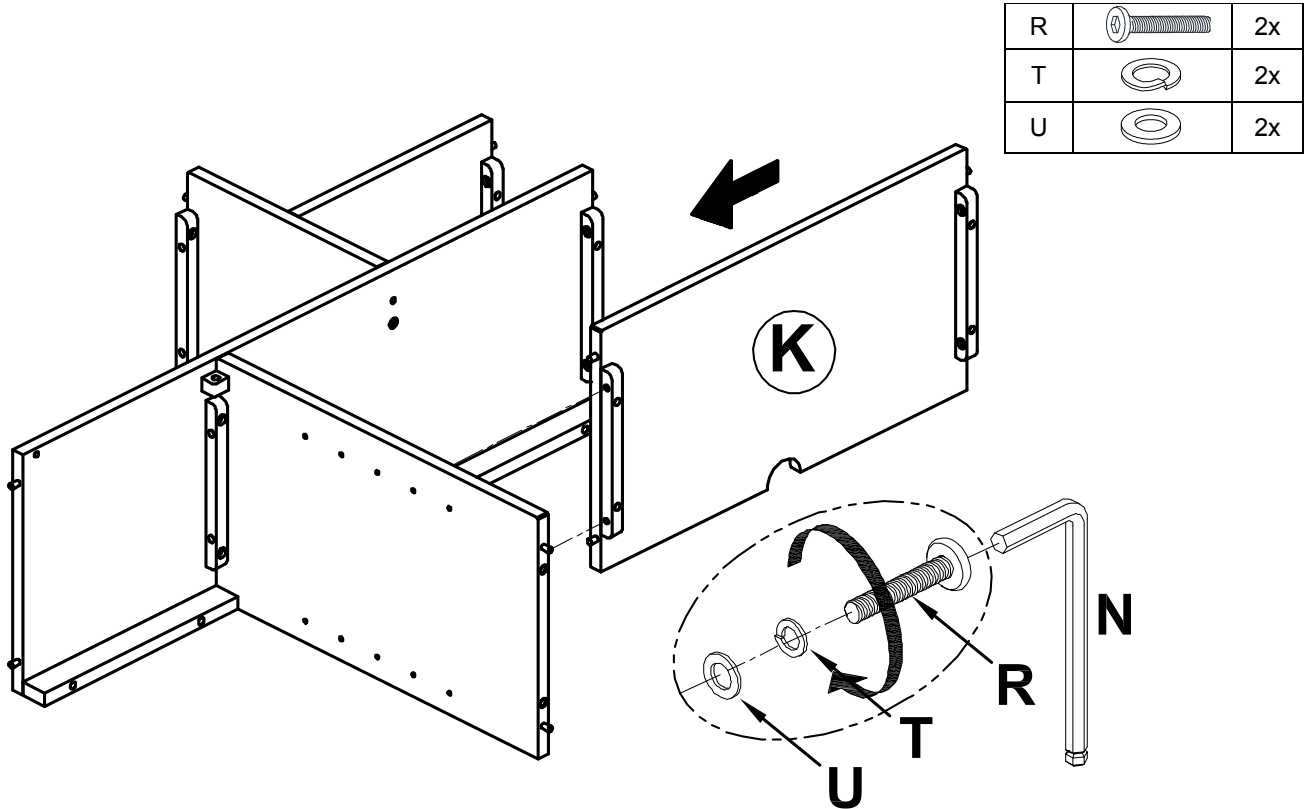
1. Attach (F) to (G) as shown below.



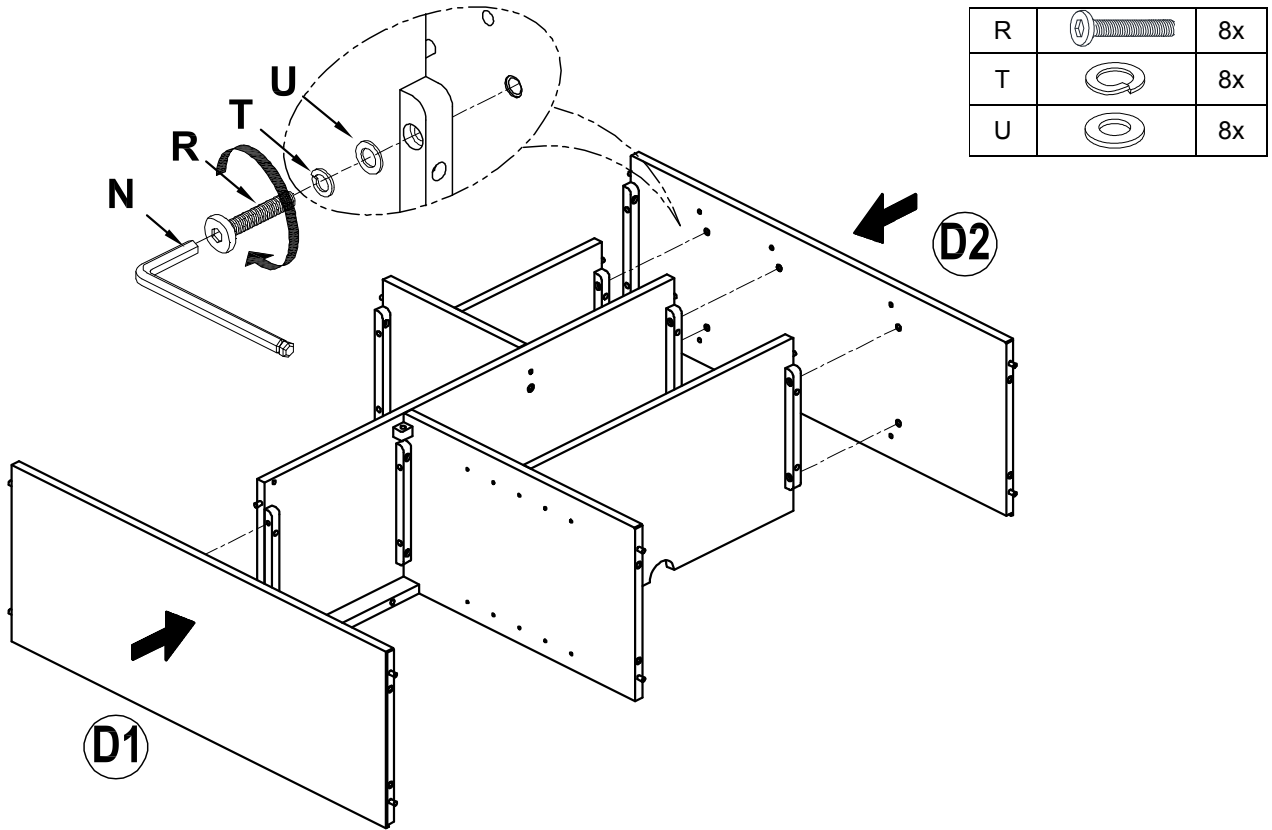
2. Attach the assembled piece and (H) to (C) as shown below.



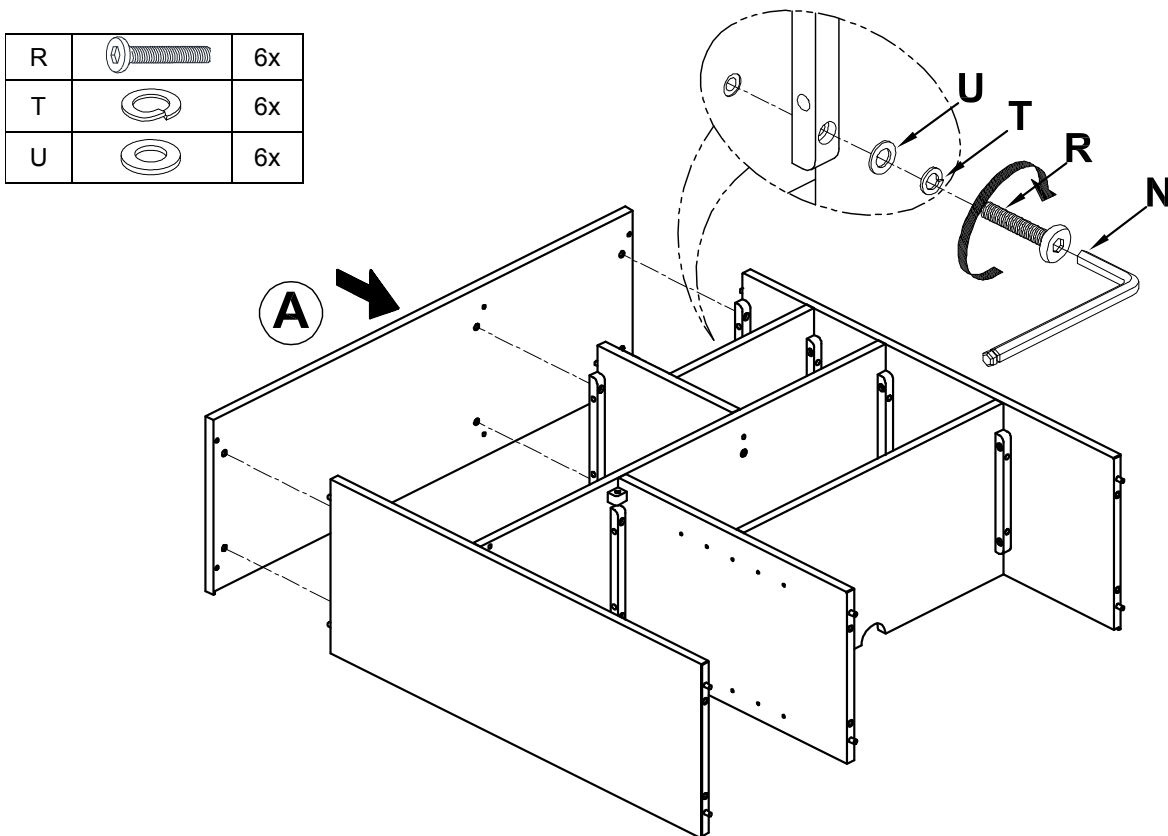
3. Attach (K) to the assembled piece as shown.



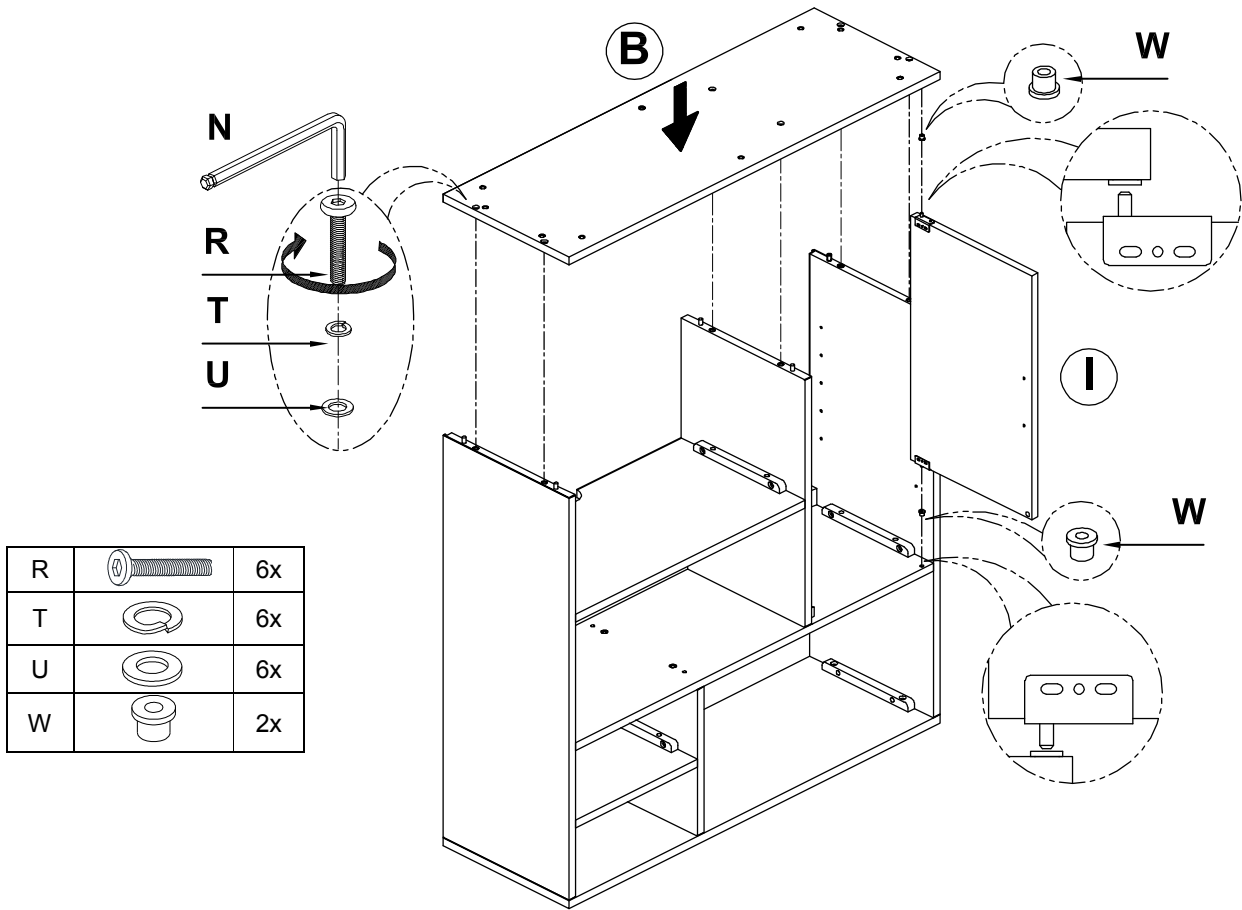
4. Attach (D1) and (D2) to the assembled piece as shown.



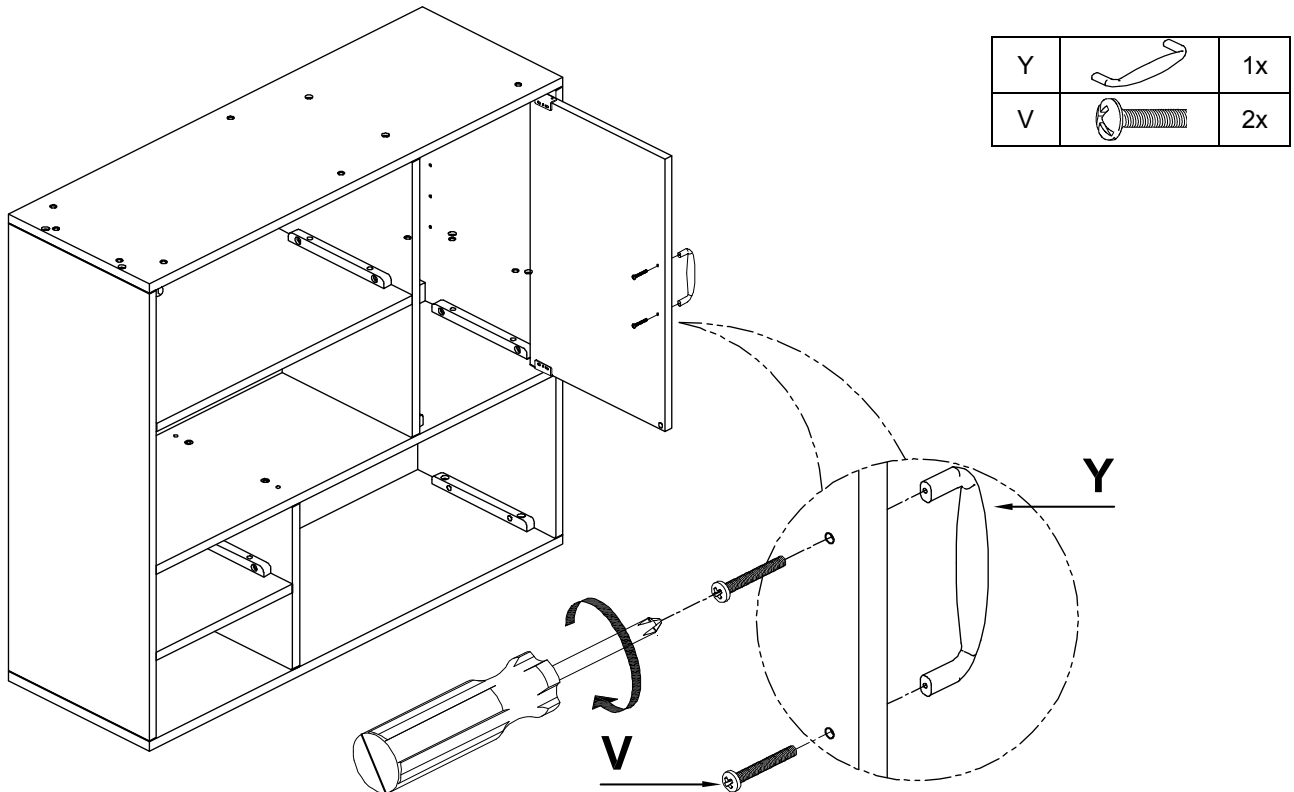
5. Attach (A) to the assembled piece as shown.



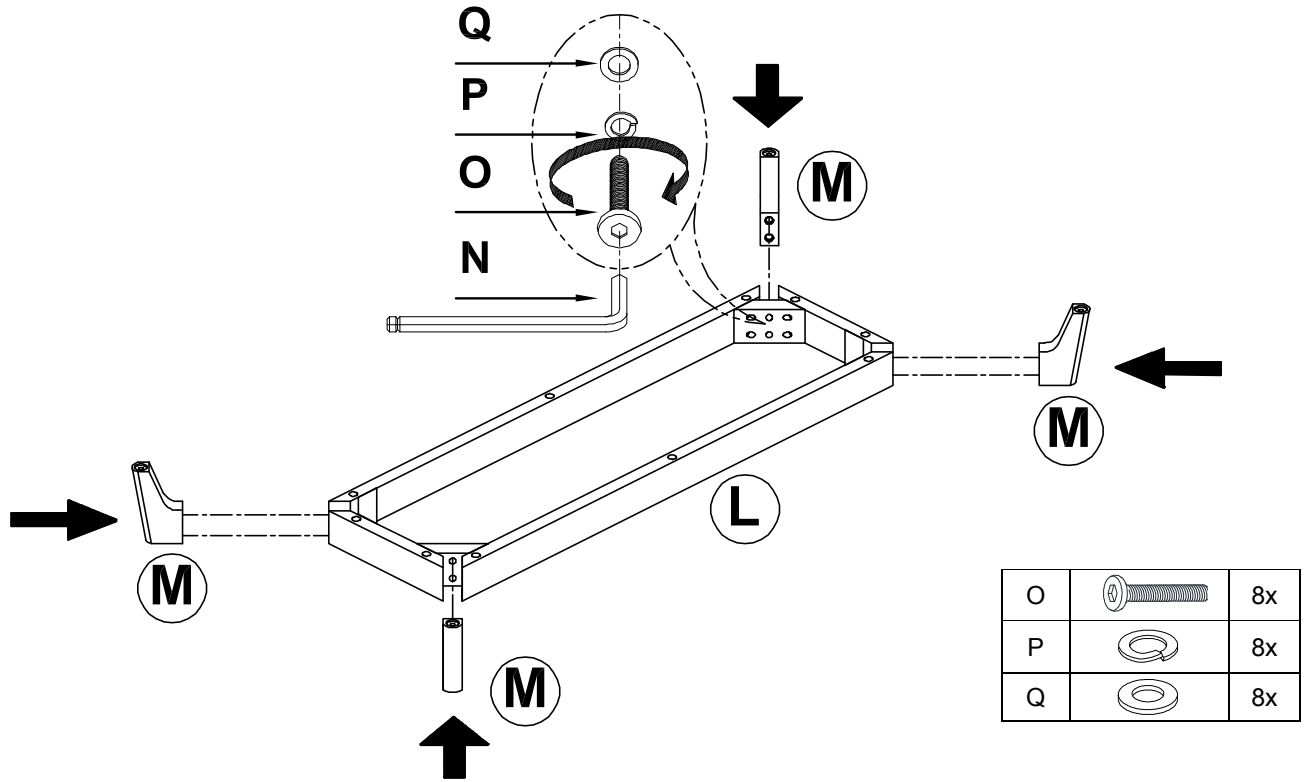
6. Attach (I) to the assembled piece and then attach (B) to the assembled piece as shown.



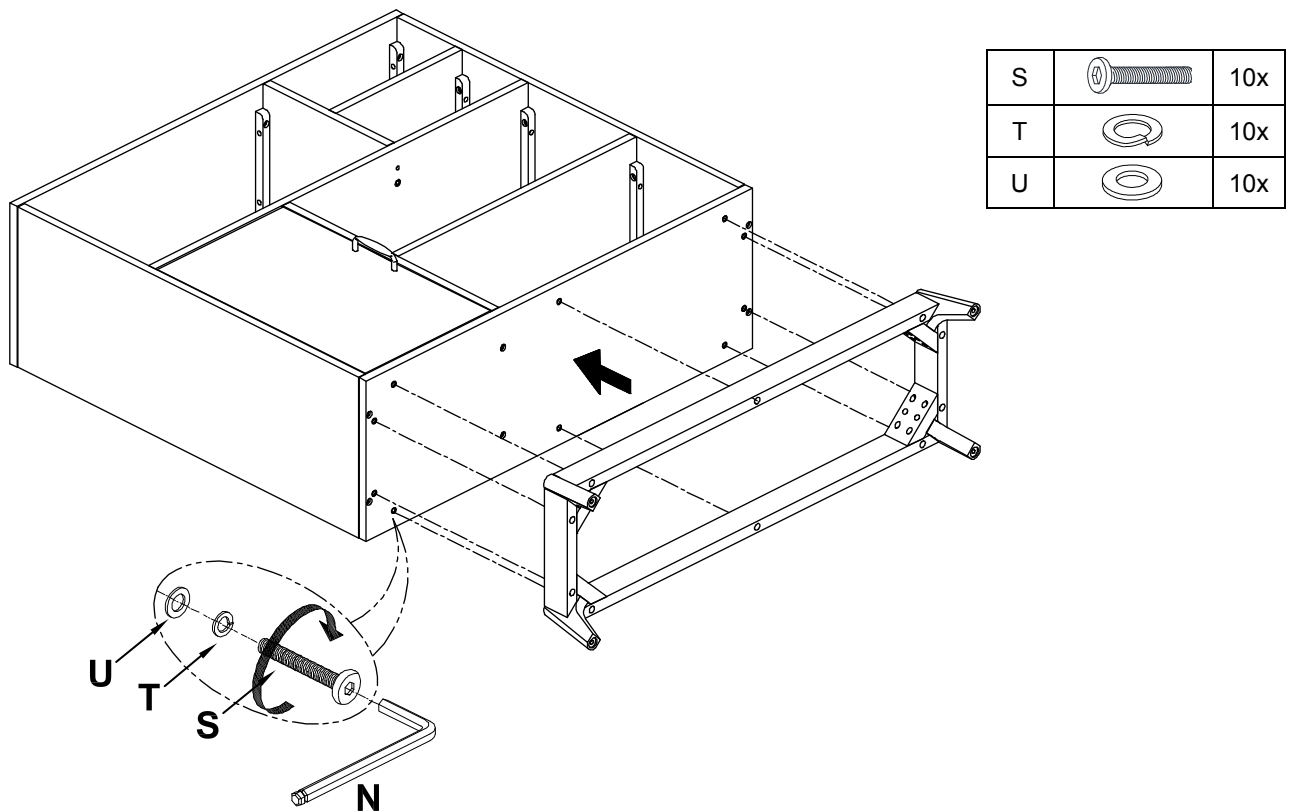
7. Attach (Y) to the assembled piece as shown.



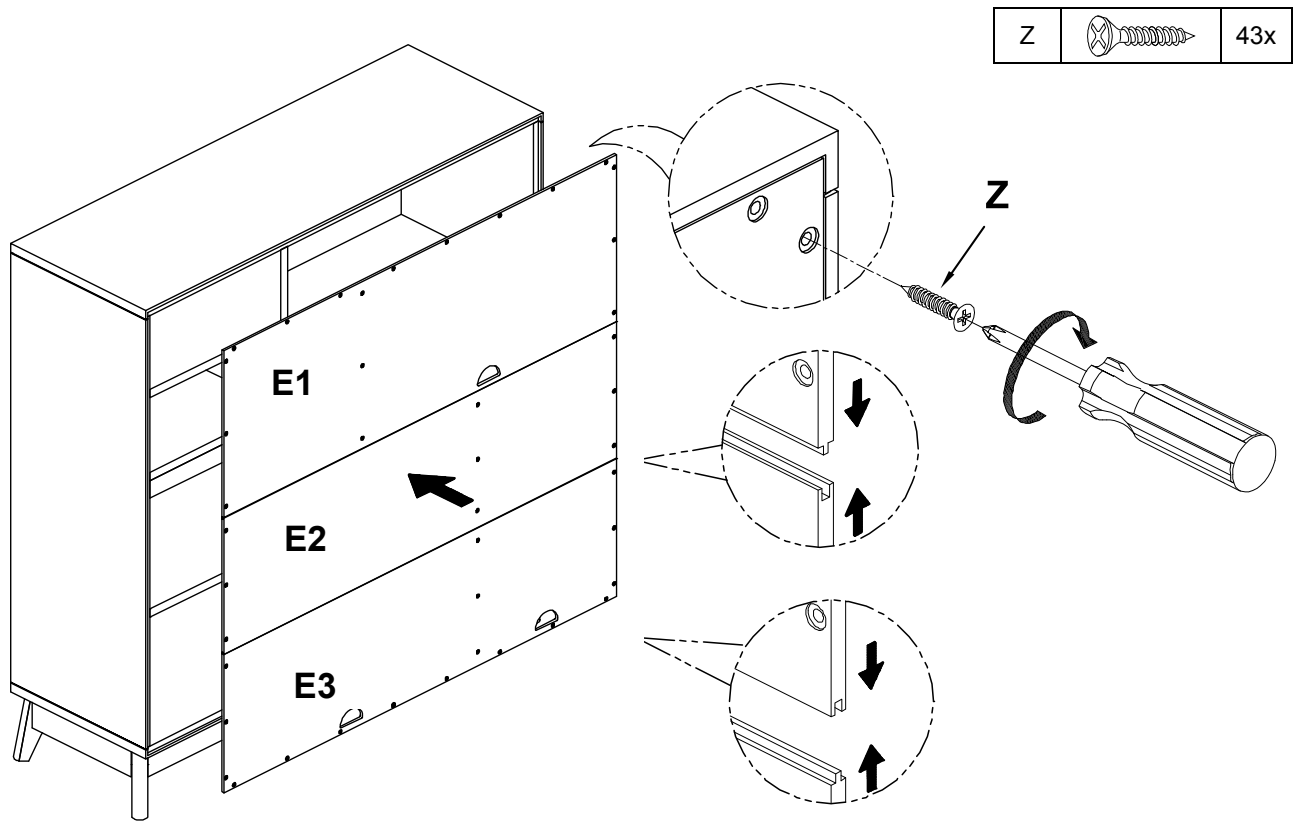
8. Attach (M) to (L) as shown.



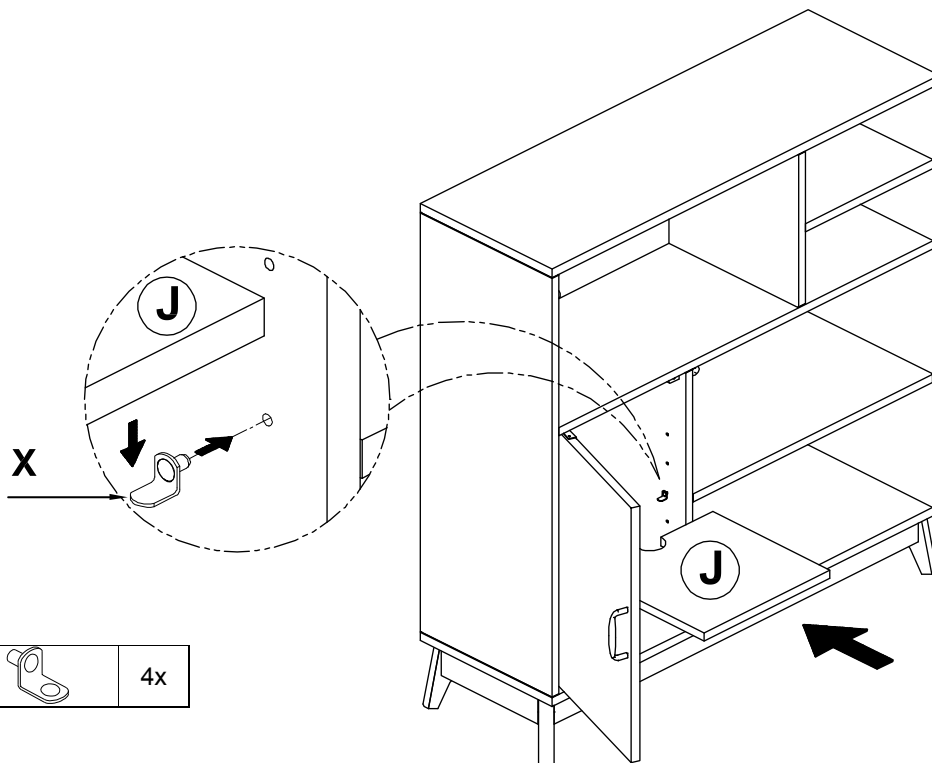
9. Attach the assembled base to the assembled storage unit as shown.



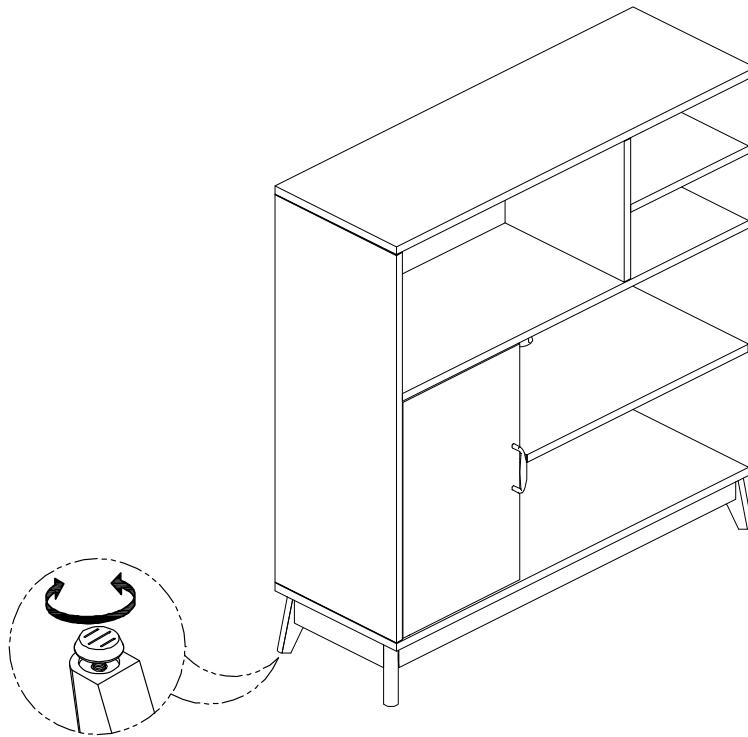
10. Attach (E1), (E2) and (E3) to the assembled piece as shown.



11. Insert Shelf Support (X) onto corresponding holes. Place (J) onto the Shelf Supports.



12. When needed, adjust the levelers located under the legs up and down to keep the item level.



Care Instructions:

- Dust often using a clean, soft, dry and lint-free cloth.
- Blot spills immediately and wipe with a clean, damp, cloth.
- We do not recommend the use of chemical cleansers, abrasives or furniture polish on our lacquered finish.
- Hardware may loosen over time. Periodically check to make sure all connections are tight.
Re-tighten if necessary.

Thank you for your purchase
Stores | catalog | www.potterybarnkids.com
USA 1.800.290.8181