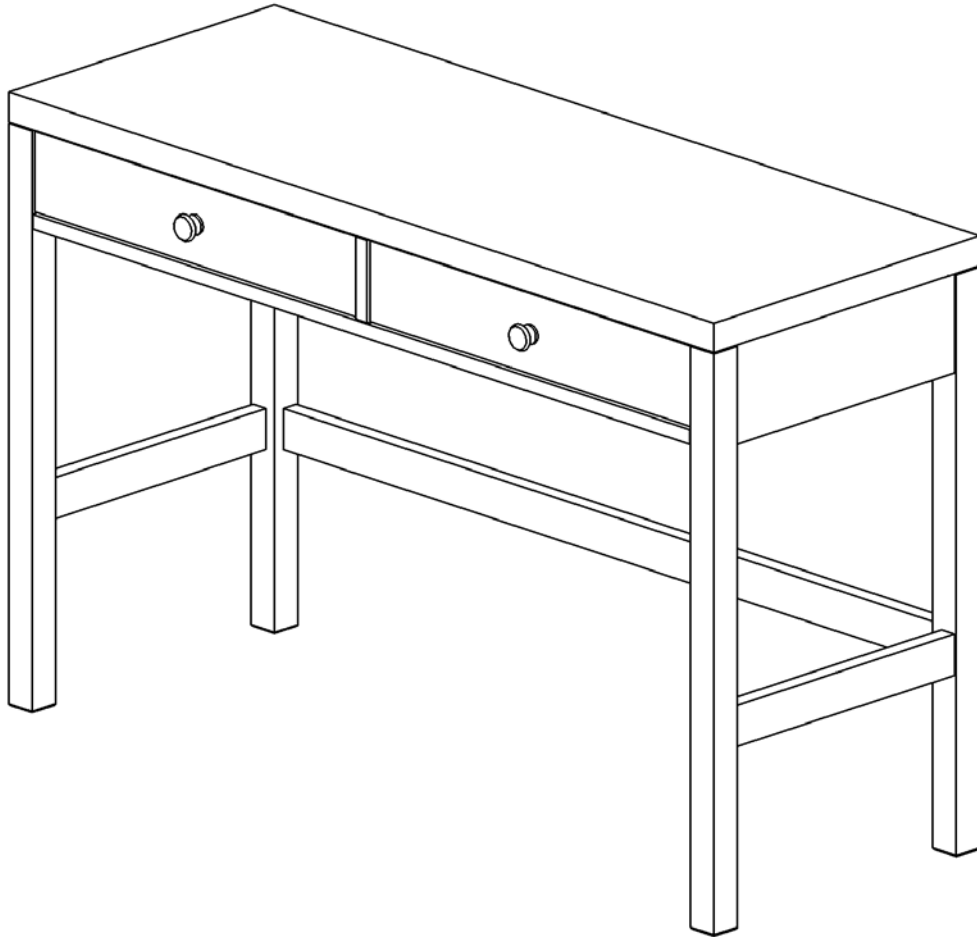


# pottery barn kids



**PRESTON SHARED SPACE DESK**

[www.potterybarnkids.com](http://www.potterybarnkids.com)

**Important Safety Instructions:**

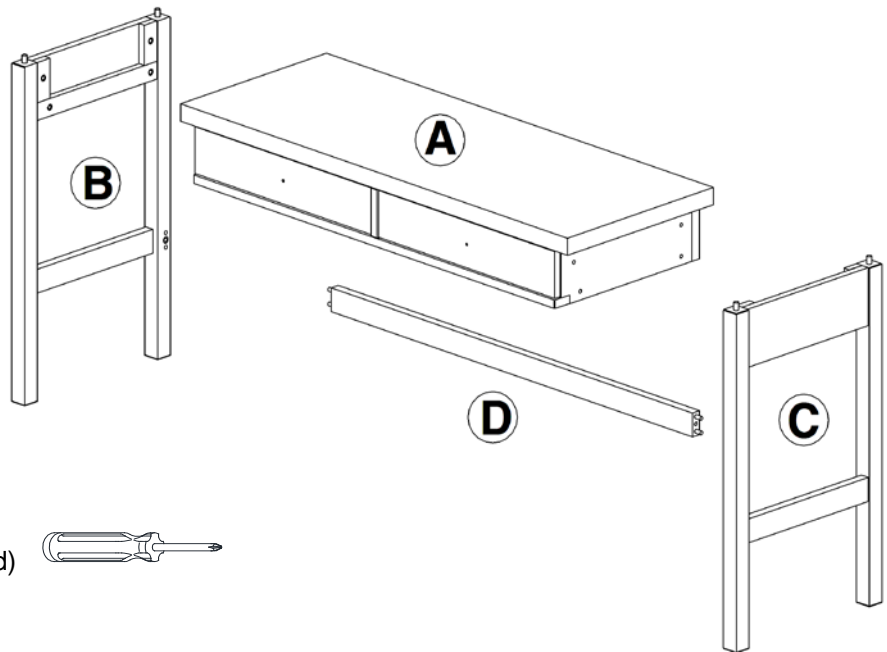
- Please read all instructions carefully before assembling this Desk.
- For your safety, assembly by two or more adults is strongly recommended.
- Keep these instructions for future use.
- Use only vendor-supplied hardware to assemble this item. Using unauthorized hardware could jeopardize the structural integrity of the item.

**Pre-assembly:**

- Remove all parts and hardware from the box. Place all items on a carpeted or scratch-free work surface, as this will avoid damaging the parts during assembly. The shipping box provides an ideal work surface.
- To avoid accidentally discarding small parts or hardware, do not dispose of any packaging or contents of the shipping carton until assembly is complete.
- Use the parts and hardware lists below to identify and separate each of the pieces included.
- The illustrations provided allow for easier assembly when used in conjunction with the assembly instructions.
- The use of power tools to aid in assembly is not recommended. Power tools can damage the hardware and split the wood.

**Parts Included:**

- (A) Desktop (1x)
- (B) Left Leg Panel (1x)
- (C) Right Leg Panel (1x)
- (D) Stretcher (1x)











**Tools Required:**

Philips Head Screwdriver (not included)

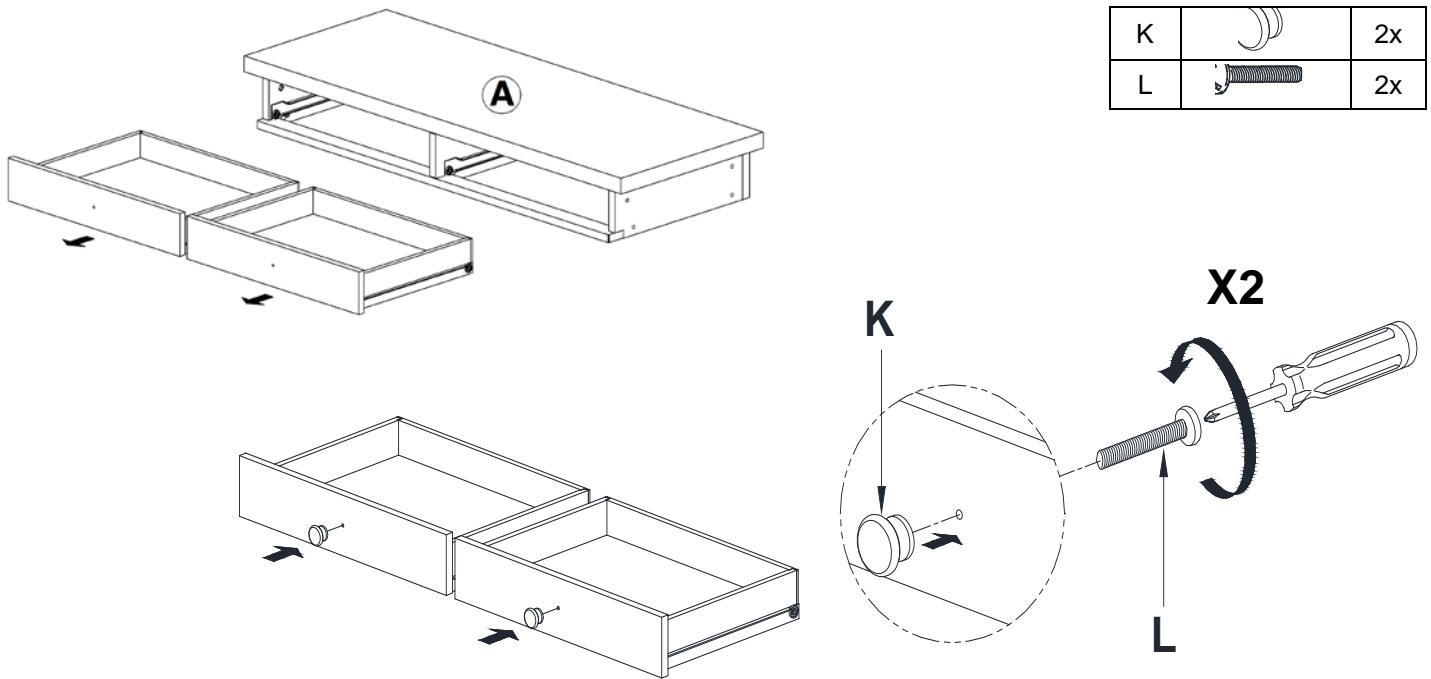


**Hardware Included:**

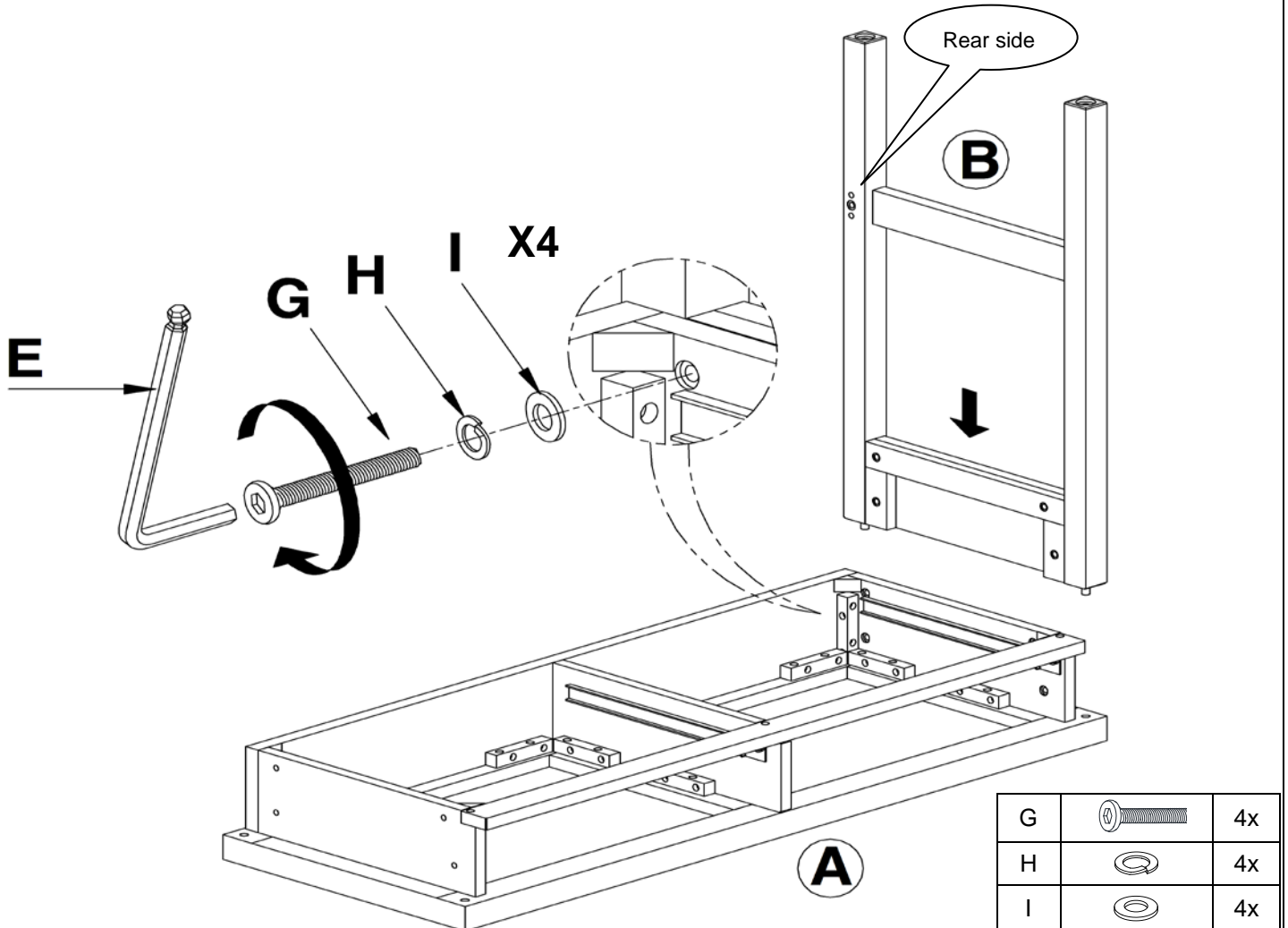
 (E) Allen Key – 1x	 (F) Long Bolt 1/4"x50mm – 2x	 (G) Short Bolt 1/4"x 30mm – 8x
 (H) Spring Washer – 10x	 (I) Flat Washer – 10x	 (J) Half-Moon Block – 2x
 (K) Knob – 2x	 (L) Machine Screw 5/32"x40 – 2x	

**Assembly Instruction Steps:**

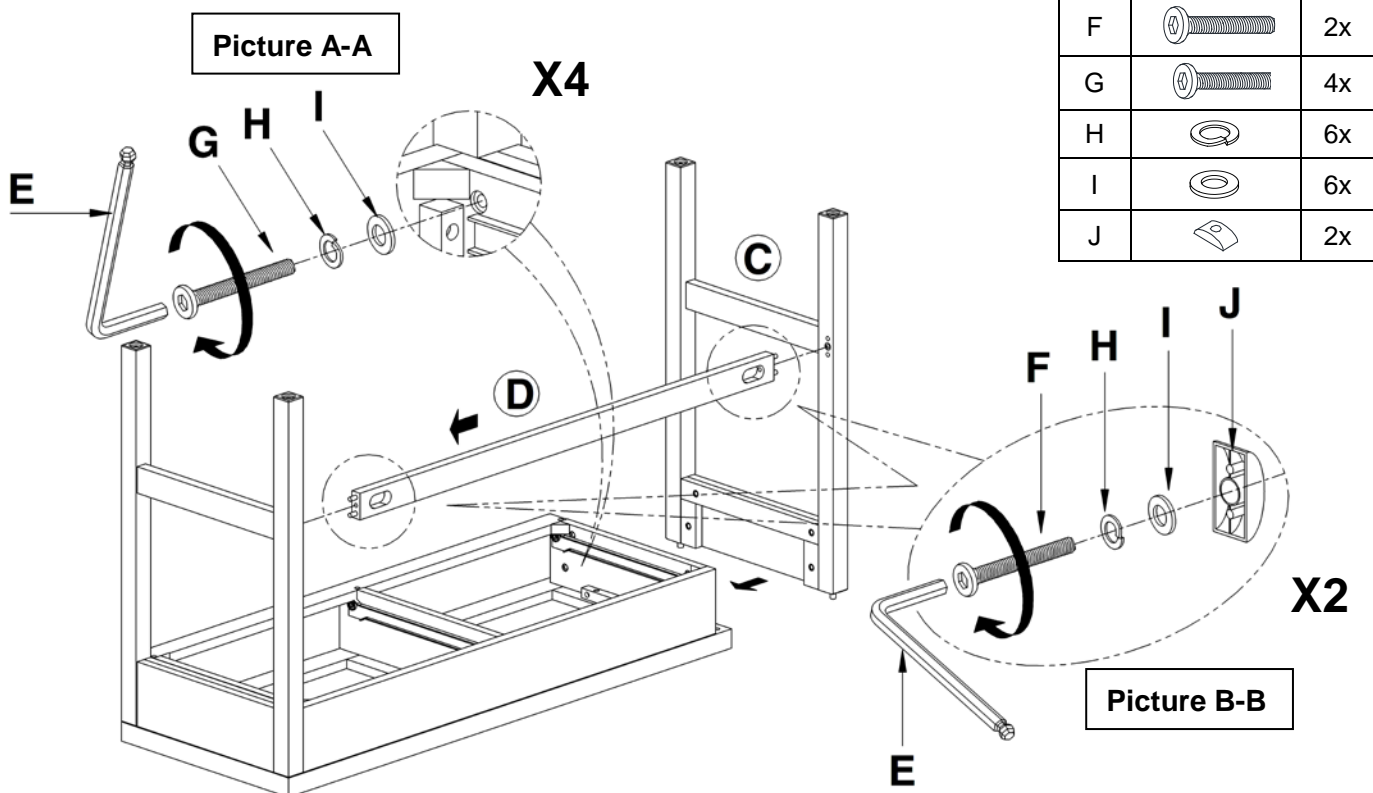
1. Attach the 2 Knobs (K) to the drawer fronts and secure with 2 Machine Screws (L), as seen below.
2. Gently remove the drawer boxes from (A) and keep them for later use.



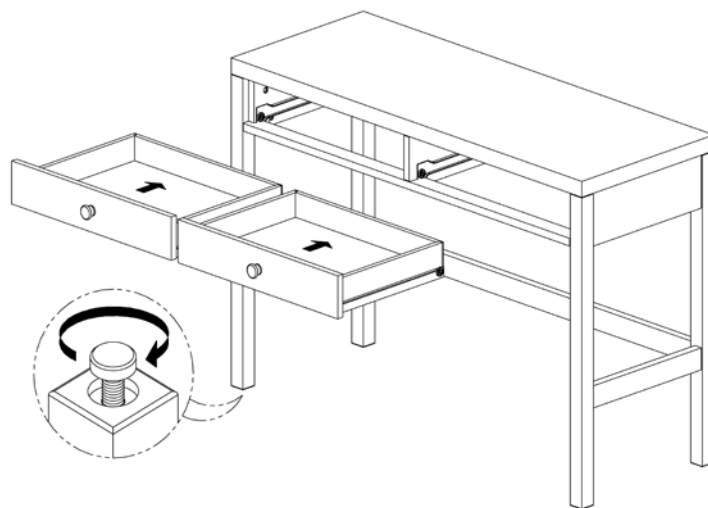
3. Attach (B) to (A) with the pre-drilled holes and wooden dowels aligned, as seen below.
4. Tighten the bolts as shown below. **Do not fully tighten.** Leave flex between (B) and (A) to attach (D).



- Attach (C) to the desktop with the pre-drilled holes and wooden dowels aligned, as seen below.
- Tighten the bolts as shown in **picture A-A** below. **Do not fully tighten.** Leave flex between (C) and (A) to attach (D)
- Attach (D) to the assembled leg panels, with the oval cut-outs facing outwards, as seen below.
- Tighten the bolts as shown in **picture B-B** below. **Do not fully tighten.**
- Check alignments and tighten all connecting bolts. Do not over tighten.



- Carefully turn the assembled Desk upright.
- Place the Drawer Boxes (removed in Step 1) back into the assembled Desk.
- Adjust the levelers found on the bottom of the legs (up or down) to keep the desk level when needed.



- NOTE: Installation of the Anti Tip Kit is REQUIRED.** Please follow the separate instructions to secure the Desk to the wall- using the tipping-restraint kit included.

#### Care Instructions:

- Dust often using a clean, soft, dry, and lint-free cloth.
- Blot spills immediately and wipe with a clean, damp cloth.
- We do not recommend the use of chemical cleansers, abrasives, or furniture polish on our lacquered finish.
- Hardware may loosen over time. Periodically check to make sure all connections are tight. Re-tighten if necessary.

Thank you for your purchase  
Stores | catalog | [www.potterybarnkids.com](http://www.potterybarnkids.com)  
USA 1.800.290.8181