

pottery barn kids

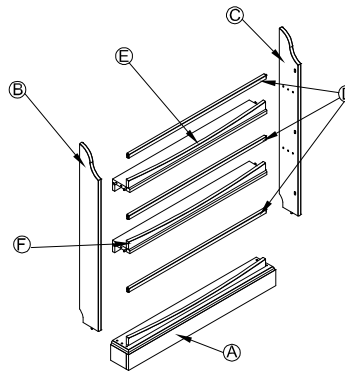
BOOKRACK SHORT

PRE-ASSEMBLY:

- Remove all parts and hardware from box and lay out on a carpeted or scratch-free work surface (The shipping box provides an ideal work surface), as this will avoid damaging any parts during assembly. Do not dispose of any contents until assembly is completed to avoid accidentally discarding small parts or hardware.
- Two people are recommended for ease of assembly.
- Use the parts and hardware lists to identify and separate each of the pieces included prior to starting assembly.
- The illustrations provided allow for easier assembly when used in conjunction with the assembly instructions.
- Note: Do not fully tighten all bolts until all parts are in place. Failure to follow these instructions may cause the bolts to misalign during assembly.
- If using power tools to aid in assembly please use caution. Power tools can damage hardware of split wood.

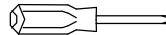
PARTS INCLUDED:

- A – Bookrack Base (x1)
- B – Left side panel (x1)
- C – Right side panel (x1)
- D – Front rail (x3)
- E – Shelf with holes (x1)
- F – Shelf w/o holes (x1)



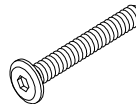
TOOLS REQUIRED:

- Phillips head screwdriver (not included)
- G – Ball Tip Allen Key (included)

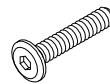


HARDWARE:

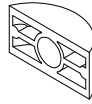
- H – Allen bolt 1/4"x45x15mm (x4)



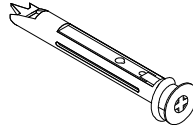
- I – Allen bolt 1/4"x32x15mm (x4)



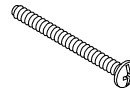
J – Metal washer 1/4"x24x12x8mm (x4)



K – Drywall Anchors 5/32"x63x14mm(x2)



L – Screw 5/32"x53mm(x2)



M – Phillips head wood screw 8x38mm (x2)

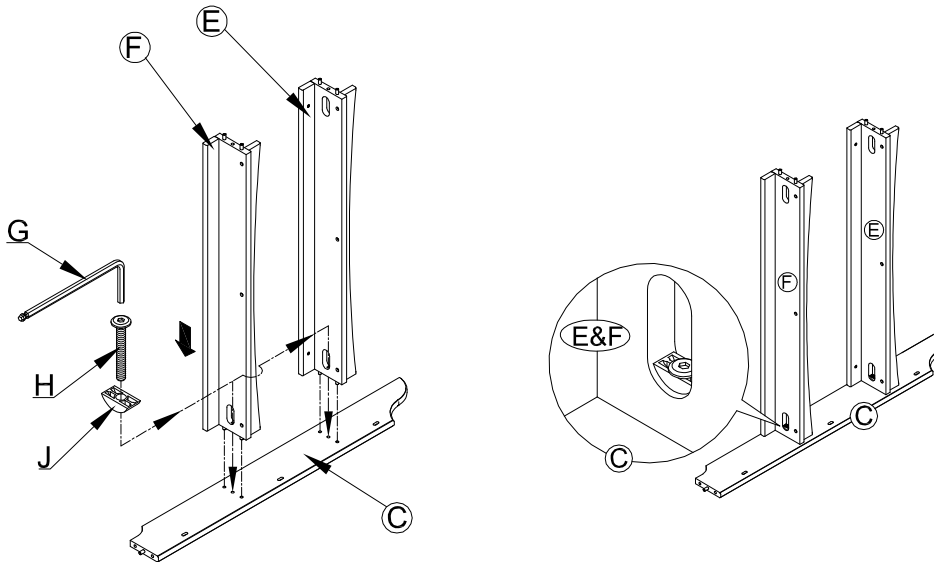


N – Paper template (x1)

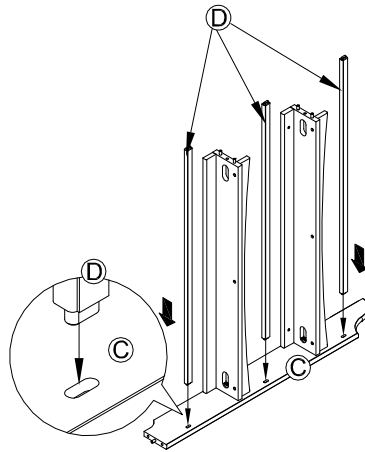


ASSEMBLY:

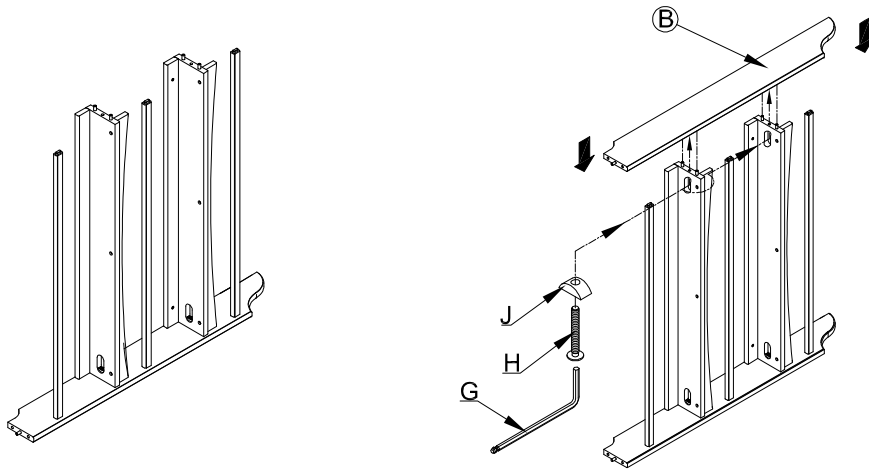
1. Lay the Right side panel (C) down as shown in the illustration below. Attach the Shelf with holes (E) and Shelf w/o holes (F) to the Right side panel (C) using 2pcs Allen bolt 1/4"x45x15mm (H) and 2pcs Metal washer 1/4"x24x12x8mm (J) , tighten with Allen key (G). Make sure Shelf with holes (E) at the upper.



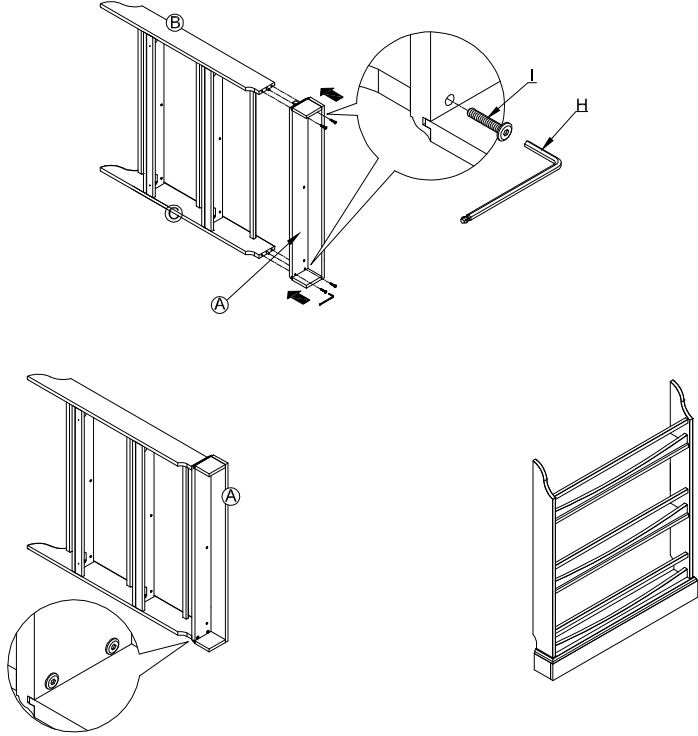
2. Fit 3pcs Front rail (D) to the Right side panel (C) firmly as shown.



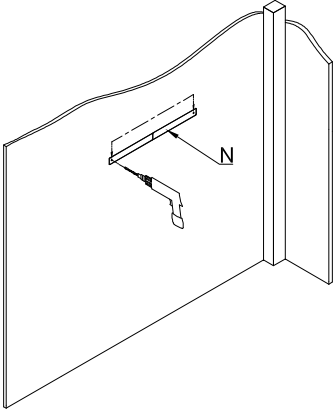
3. Attach the Left side panel (B) to the Shelf with holes (E) and Shelf w/o holes (F) using 2pcs Allen bolt 1/4"x45x15mm (H) and 2pcs Metal washer 1/4"x24x12x8mm (J), tighten with Allen key (G).



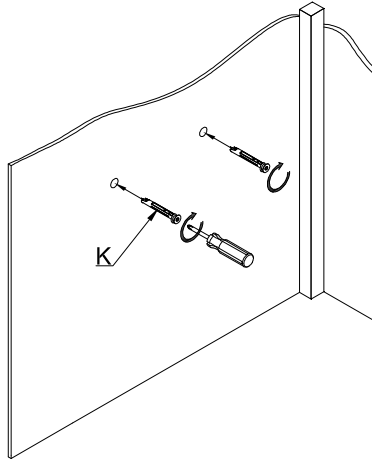
4. Attach the Bookrack Base (A) to the Left side panel (B) and Right side panel (C) using 4pcs Allen bolt 1/4"x32x15mm (I) as shown. Assembly completed.



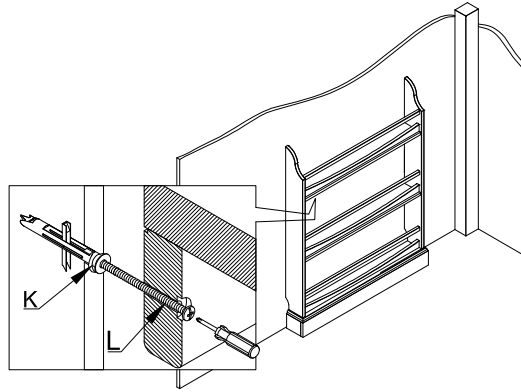
5. Place the paper template (N) at the desired location on wall and ensure that the template is level. Using a pencil, mark the locations on the wall as shown. This is where the hardware will be inserted.



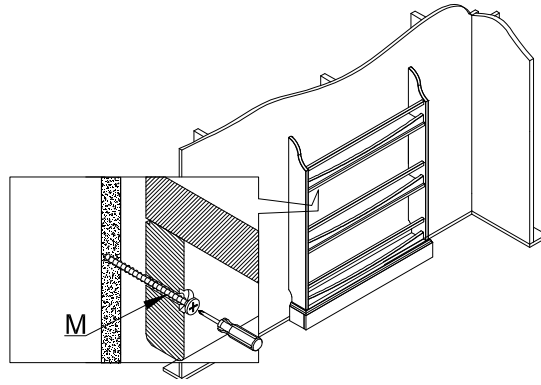
6. **for drywall mounting:** using a Phillip's head screwdriver, insert the drywall anchors (K) into the wall at the insertion points. Press and turn clockwise until anchors are flush with the wall.



7. Align the holes in the bookrack with the anchors. Then insert each screw (L) into the anchors at the insertion points, leaving approximately 1/2" between the back of the screw head and the wall. Attach the rack to the wall.



8. **for stud mounting:** using 2 each Phillips head wood screws 8x38mm (M), insert each wood screw thru the appropriate holes in the wooden rack. Align them with the wall stud or pencil marks and attach the rack to the wall.



Thank you for your purchase
stores | catalog | www.potterybarnkids.com