

Pottery barn kids

MADELINE WALL SYTEM BASE

PRE-ASSEMBLY:

- Remove all parts and hardware from box and lay out on a carpeted or scratch-free work surface (The shipping box provides an ideal work surface), as this will avoid damaging any parts during assembly. Do not dispose of any contents until assembly is completed to avoid accidentally discarding small parts or hardware.
- Two people are recommended for ease of assembly.
- Use the parts and hardware lists to identify and separate each of the pieces included prior to starting assembly.
- The illustrations provided allow for easier assembly when used in conjunction with the assembly instructions.

HARDWARE INCLUDED:

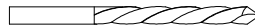
(Q) Sleeve Screw 4x9.5x32mm (4)



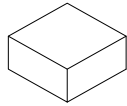
(R) Sleeve Nut 4x9.5x28mm (4)



(S) 5x83mm Drill bit (1)

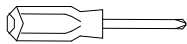


(T) Wood Block 50x50x19mm (1)

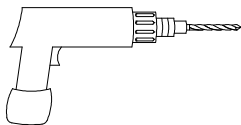


TOOLS REQUIRED FOR ASSEMBLY:

(1) Phillips Head Screwdriver, not included

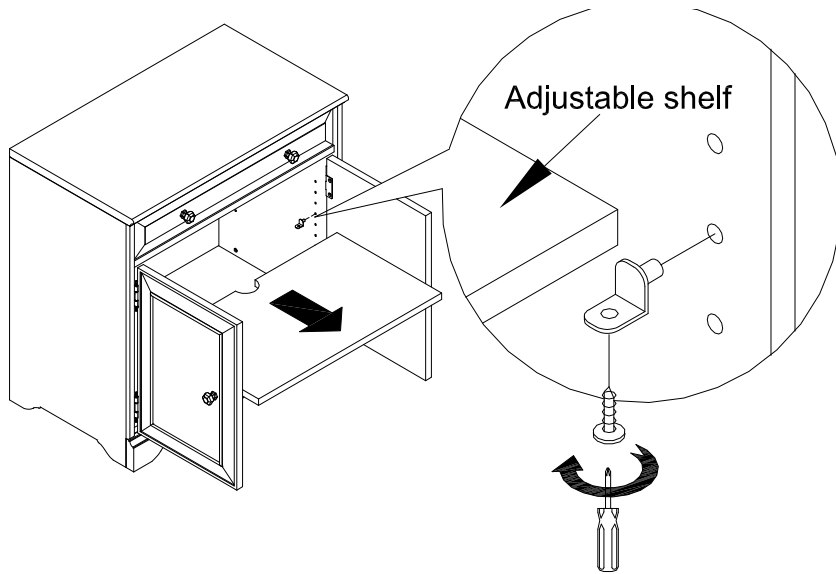


(1) Power Drill, not included (note: hand drill may be used)

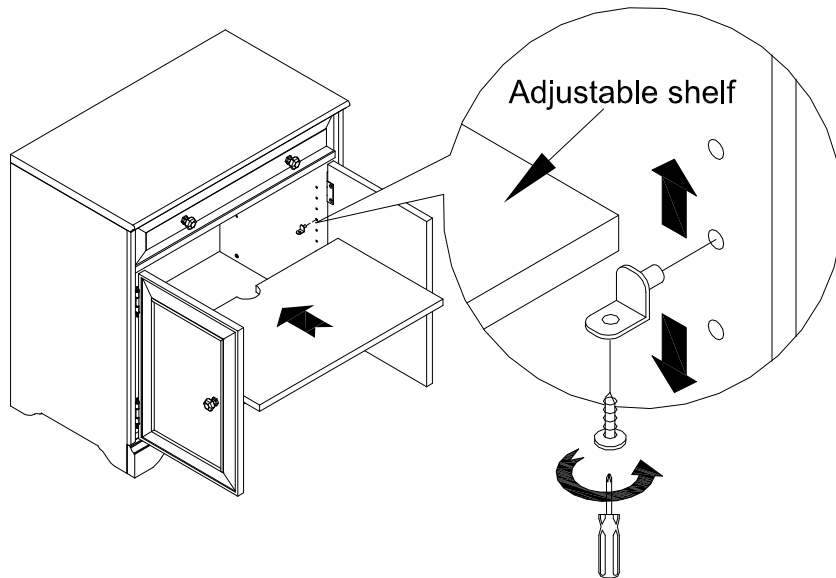


ASSEMBLY:

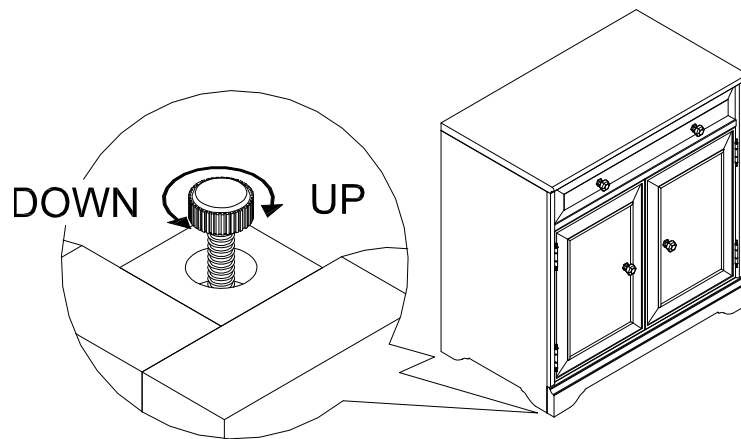
1. Unscrew the screw for the Shelf support, and then pull out the Adjustable shelf as shown.



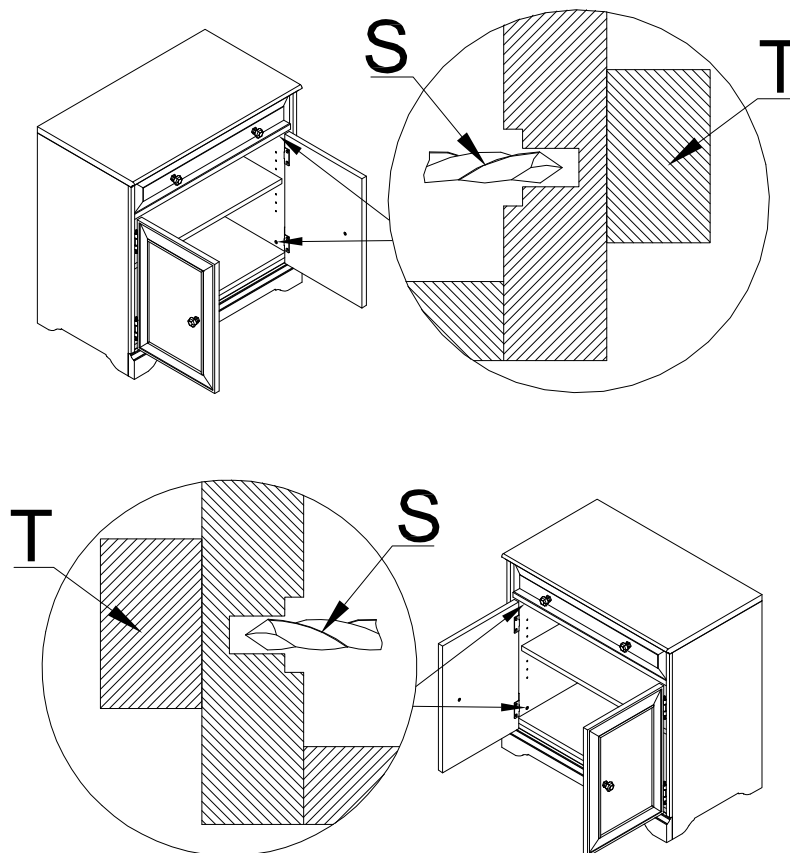
2. Determine the desired height for the shelf support. Insert the shelf support into the pre-drilled holes as shown. Carefully insert the shelf into the cabinet and gently rest the shelf onto the shelf support. Make sure shelf is settled and set prior to setting items upon it. And then tighten the shelf support using the original screws.



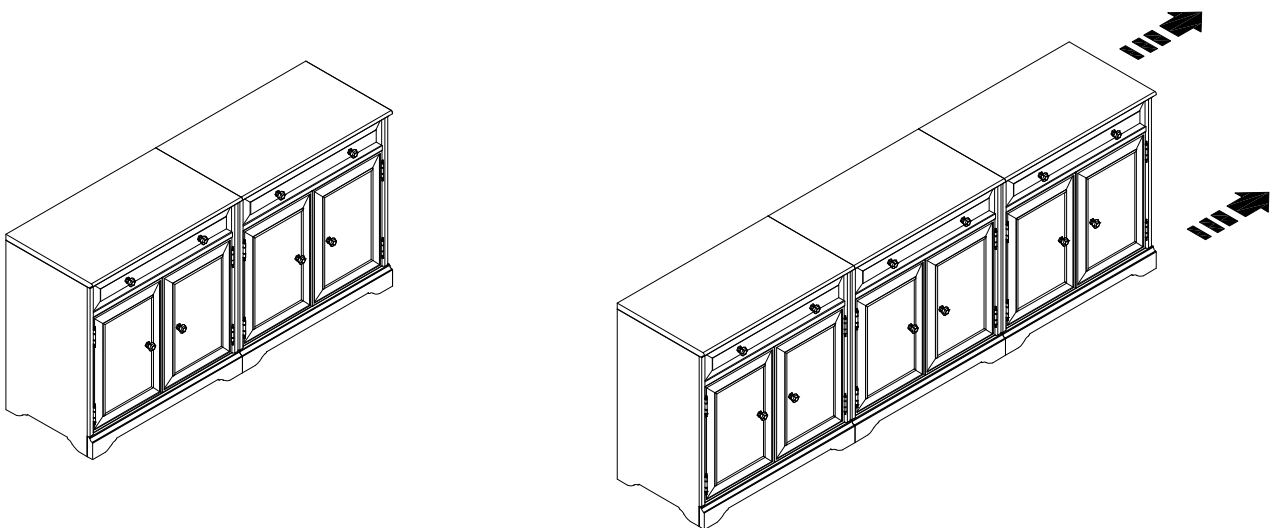
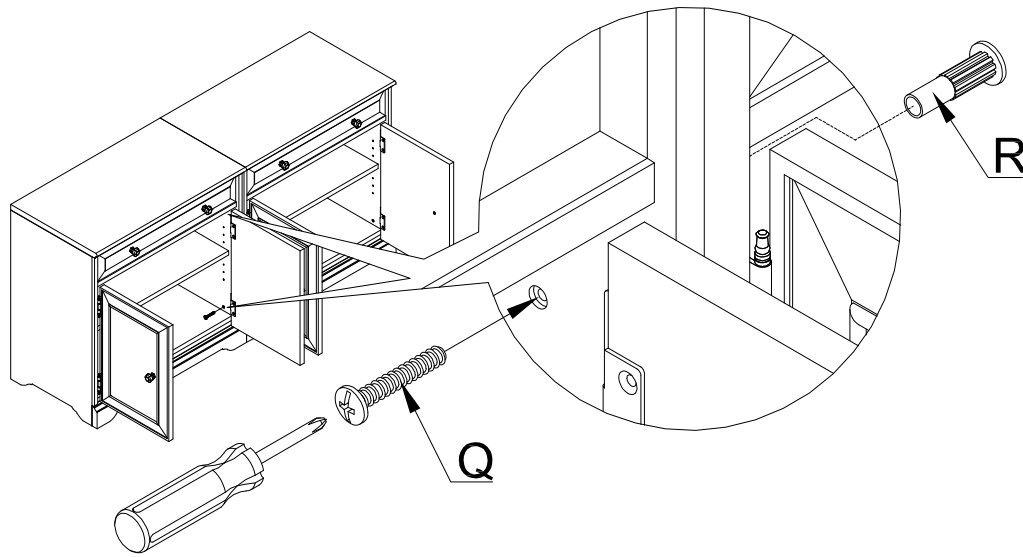
3. Adjust levelers on the bottom of the unit in or out to ensure that it stands secure and does not rock.



4. Open the door of Base cabinet. Attach the Drill Bit (S) to the Power Drill (not included). Drill to bore through the partially-drilled holes on the side panels of the Base cabinet from the insides of the pieces. **Hold and press the Wood Block (T) on the opposite side of the hole being drilled to prevent any breakage or damage when drilling. Keep hands away from moving drill bit.** Drill (4) pre-drilled holes in the Base cabinet.



5. Bring all the pieces together. Align the pre-drilled holes on each piece. Fix the base using Sleeve Screw 4x9.5x32mm (Q) and Sleeve Nut 4x9.5x28mm(R) as shown. Tighten the two pieces together. Assembly is complete.



Thank you for your purchase
stores | catalog | www.potterybarnkids.com