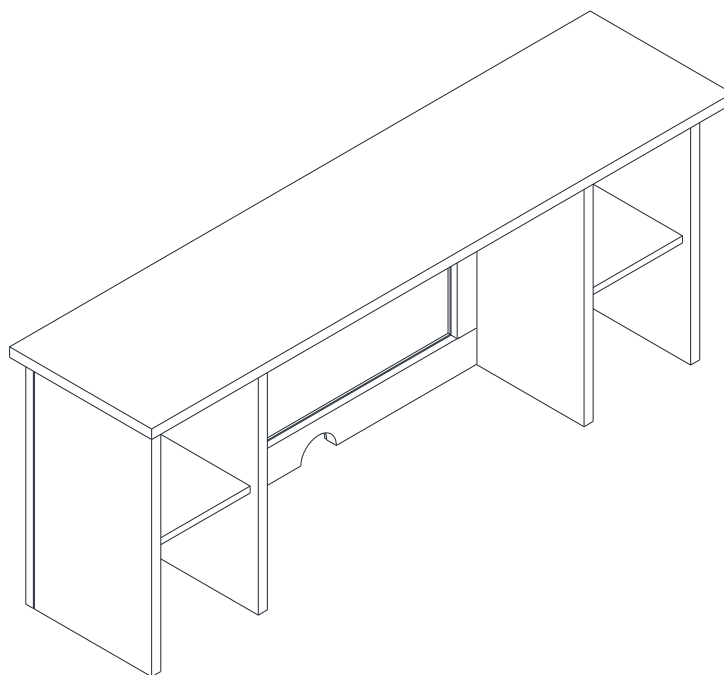


pottery barn kids

MADELINE DESK HUTCH

ASSEMBLY INSTRUCTIONS



Date: 2013-Apr-23

Rev:

www.potterybarnkids.com

Important Safety Instructions:

- Please read all instructions carefully before assembling.
- For your safety, assembly by two or more adults is strongly recommended.
- Keep instructions for future use.
- Use only vendor supplied hardware to assemble. Using unauthorized hardware could jeopardize the structural integrity of the item.

Pre-assembly:

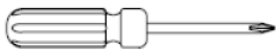
- Remove all parts and hardware from the box and lay out on a clear carpeted or scratch-free work surface, as this will avoid damaging parts during assembly. The shipping box provides an ideal work surface.
- Do not dispose of any packaging or contents of the shipping carton until assembly is completed to avoid accidentally discarding small parts or hardware.
- Use the parts and hardware lists below to identify and separate each of the pieces included.
- The illustrations provided allow for easier assembly when used in conjunction with the assembly instructions.
- The use of power tools to aid in assembly is not recommended. Power tools can damage hardware and split wood.

Hardware Included:

<p>(A) Mending plate - 2x</p> 	<p>(B) Screw (M4x20mm) – 6x</p> 
---	--

Hardware Enclosed:

Tools required (not included):

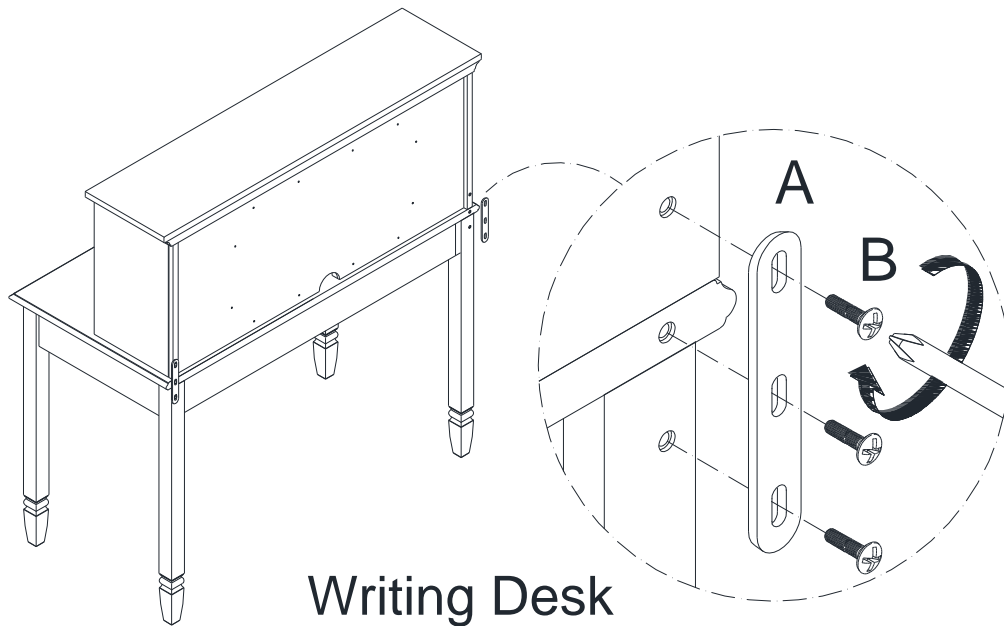


Phillips Head Screwdriver

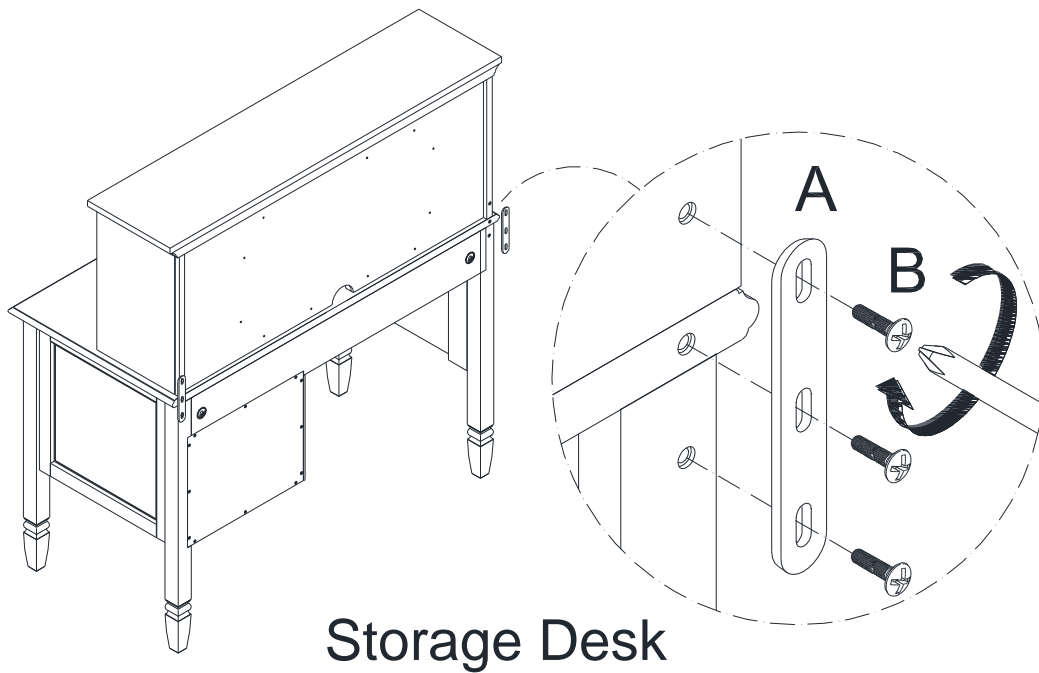
Assembly Instruction Steps:

(Note this Storage Desk Hutch can be mounted on Madeline Storage Desk or Madeline Writing Desk which is sold separately.)

1. Place Storage Desk Hutch on Storage desk (or Writing Desk) in the upright position.
2. Align pre-drilled holes on back side of Desk and Desk Hutch. Put a Mending Plate (A) over pre-drilled holes on back side of desk and desk hutch, run (3) M4x20mm Screw (B) through pre-drilled holes in Mending Plate (A) into pre-drilled holes at the back of Desk and Desk Hutch with a Phillips Head Screwdriver as shown below; repeat above on the other end of desk and desk hutch with another Mending Plate (A).



Writing Desk



Storage Desk

3. Assembly is complete.

Care Instructions:

- Dust often using a clean, soft, dry and lint-free cloth.
- Blot spills immediately and wipe with a clean, damp, cloth.
- We do not recommend the use of chemical cleansers, abrasives or furniture polish on our lacquered finish.
- Hardware may loosen over time. Periodically check to make sure all connections are tight. Re-tighten if necessary.

Thank you for your purchase
Stores | catalog | www.potterybarnkids.com