

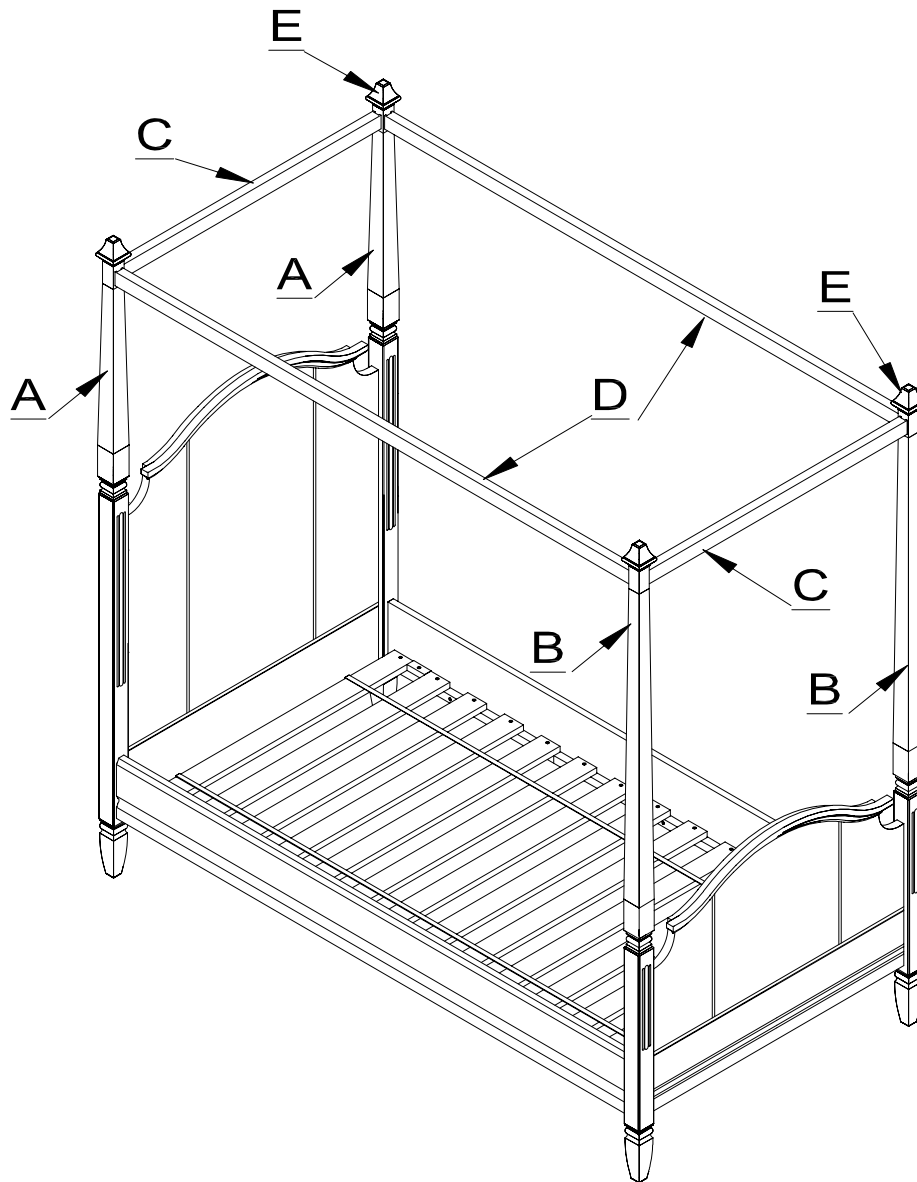
pottery barn kids

MADELINE CANOPY

Please read all instructions before beginning assembly.

For ease of assembly two adults are recommended.

Save all packing materials until assembly is complete to avoid accidentally discarding smaller parts or hardware.

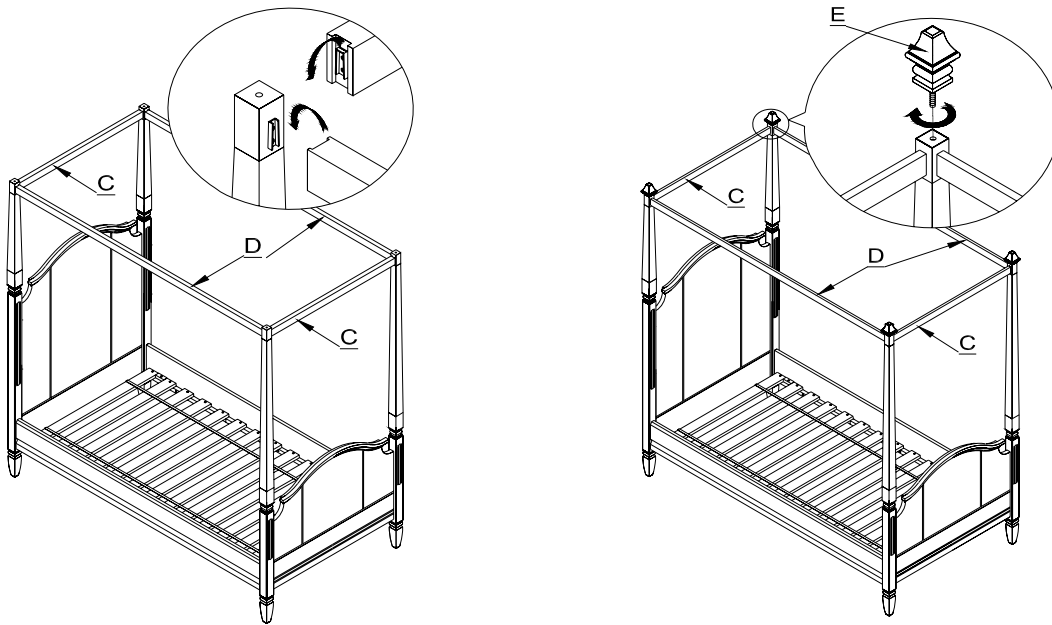


PARTS INCLUDED:

- A - Short Finial Posts – 2 pcs
- B - Long Finial Posts- 2 pcs
- C - Short Cross Support – 2 pcs
- D - Long Cross Support – 2 pcs
- E - Finial Caps – 4 pcs

ASSEMBLY:

1. Thread the Short Finial Posts (A) into the holes on the top of the headboard bedposts, as shown in image below.
2. Thread the Long Finial Posts (B) into the holes on the top of the footboard bedposts.
3. Attach each of the Cross Supports (C & D) to the Finial Posts (A & B). Insert the hook-shape hardware of the Cross Supports (C & D) into the slots on the sides of the Finial Posts (A & B). Apply downward pressure until seated in place. The Short Cross Supports (C) go in between the headboard bedposts and in between the footboard bedposts. The Long Cross Supports (D) go from the headboard to the footboard. See image below.
4. Fasten a single Finial Cap (E) onto each of the finial posts, as shown.



Thank you for your purchase.
stores / catalog / www.potterybarnkids.com
1.800.290.8181