

pottery barn kids

MADELINE 4 SHELF BOOKSHELF

PRE-ASSEMBLY:

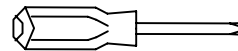
- Remove all parts and hardware from box and lay out on a carpeted or scratch-free work surface (The shipping box provides an ideal work surface), as this will avoid damaging any parts during assembly. Do not dispose of any contents until assembly is completed to avoid accidentally discarding small parts or hardware.
- Two people are recommended for ease of assembly.
- Use the parts and hardware lists to identify and separate each of the pieces included prior to starting assembly.
- The illustrations provided allow for easier assembly when used in conjunction with the assembly instructions.
- Do not fully tighten all bolts until all parts are in place. Failure to follow these instructions may cause the bolts to misalign during assembly. If using power tools to aid in assembly please use caution. Power tools can damage hardware or split the wood.

PARTS INCLUDED:

- A – Top panel (x1)
- B – Right side panel (x1)
- C – Left side panel (x1)
- D – Shelves (x3)
- E – Bottom Panel (x1)
- F – Top Front Crossbar (x1)
- G – Top Rear Crossbar (x1)
- H – Back panel (x1)

TOOLS REQUIRED:

Phillips head screwdriver (not included)



Allen Key (included)

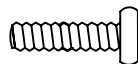


HARDWARE:

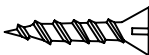
I – Allen Key (x1)



J – Bolts M6x25mm (x16)



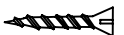
K – Phillips head screws 4x8x32mm (x12)



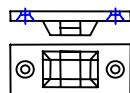
L – Phillips head screws 4x8x25mm (x12)



M – Phillips head screws 4x8x16mm (x26)



N - Brackets (x 2)



O - Long screws (x 2)



P - Short screws (x 2)

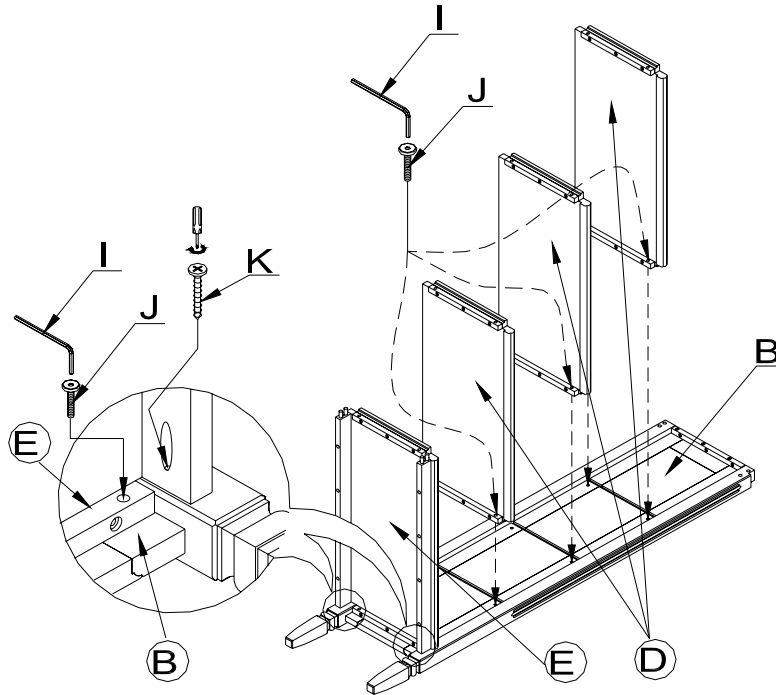


Q - Nylon strap (x 1)

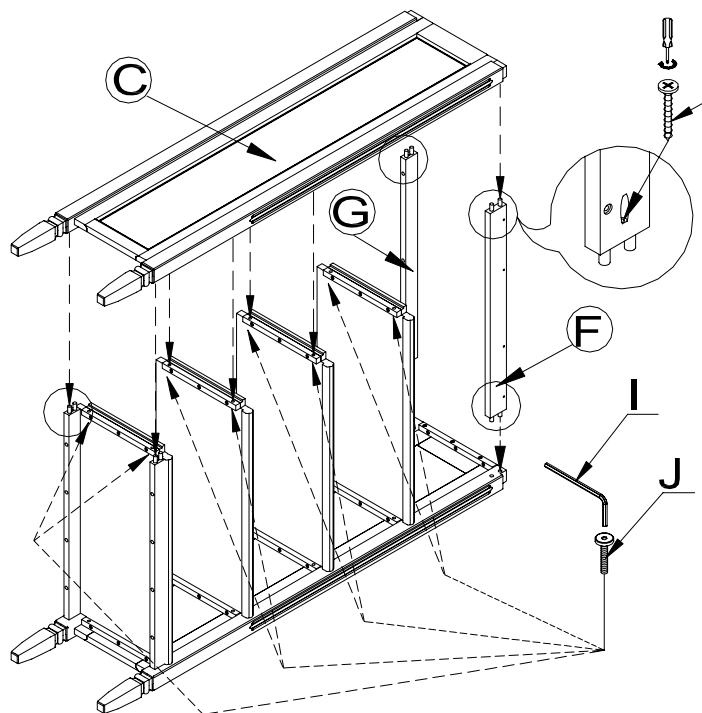


ASSEMBLY:

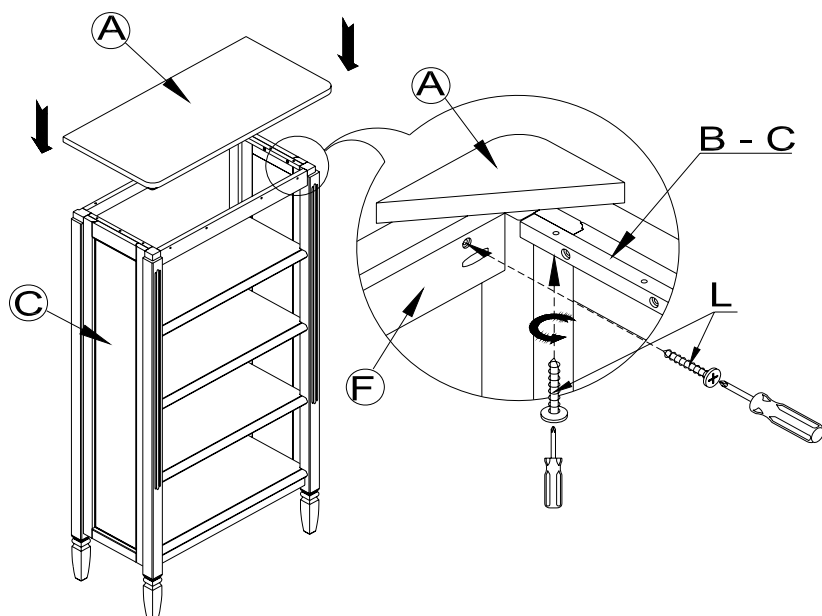
1. Lay the Right side panel (B) down as shown in the illustration below.
2. Attach the Shelves (D) to the side panel (B) using Allen Bolts (J). Attach the Bottom panel (E) using Allen Bolts (J), Phillips Head screws 8x32mm (K) with the Allen Key (I) and screwdriver to the Right side panel (B). See illustration below.



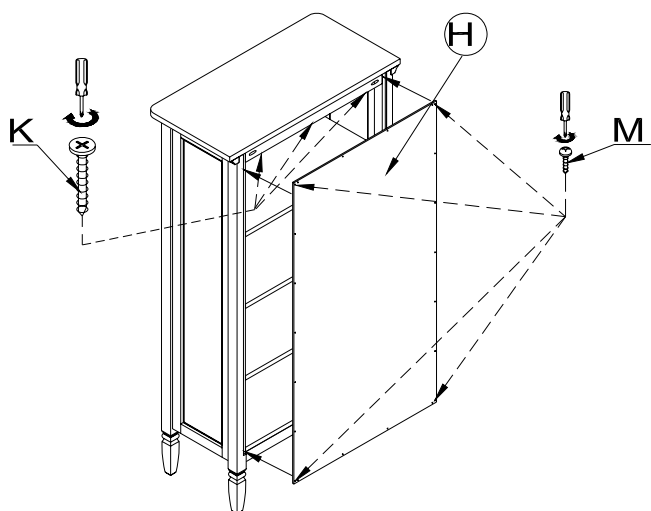
3. Assemble the Top Crossbars (F/G) to the Right side panel (B) as shown using Phillips Head Screws 8x32mm with the screwdriver. Attach the Left side panel (C) to the Shelves using the Allen Bolts (J) and Allen Key (I).



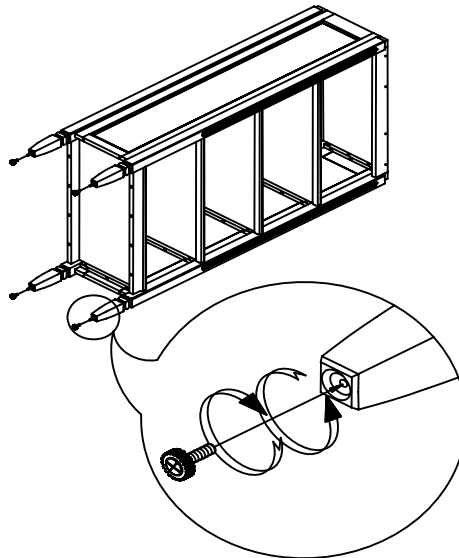
4. Attach the Top panel (A) to the bookshelf using the Phillips Head Screw 8x25mm (L) and screwdriver.



5. Attach the back panel to the bookshelf using the Phillips head screws 8x32mm (K) and ALL Phillips Head screws 8x16mm (M).



Caution: Adjust levelers on the feet of the unit in or out to ensure that it stands secure and does not rock.



Thank you for your purchase

stores | catalog | www.potterybarnkids.com

USA 1.800.290.8181

FURNITURE TIPPING RESTRAINT

Young children may be injured by tipping furniture. The use of a tipping restraint is highly recommended. When properly installed, this restraint could provide protection against the unexpected tipping of furniture due to small tremors, bumping or climbing. We recommend mounting this restraint to a wall stud.

WARNING: This product is only a deterrent. It is not a substitute for proper adult supervision.

Hardware Included (also described on page two):

N - Brackets (x 2)

O - Long screws (x 2)

P - Short screws (x 2)

Q - Nylon strap (x 1)

INSTALLATION INSTRUCTIONS:

1. Locate a wall stud behind your furniture, Position a bracket (N) on the stud approximately 1" below the top of the furniture. Mark and drill pilot hole into the center of the stud with a 3/32" drill bit. Attach a bracket (N) to the stud with the long screws (O) provided.
2. On the back of the furniture, a bracket (N) will need to be attached to the furniture frame at the top. To do this, temporarily move the furniture into its final position and mark the location of the wall bracket on the furniture frame. Move the furniture away from the wall and place a bracket on the mark. Mark and drill holes for screws with a 3/32" drill bit. Attach the bracket to the furniture with the short screws (P) provided.
3. Move the furniture into its final position, taking care to line up the wall bracket with the furniture bracket. Thread strap (Q) through the bracket as shown in the illustration. Tighten strap until snug. Do not over tighten

