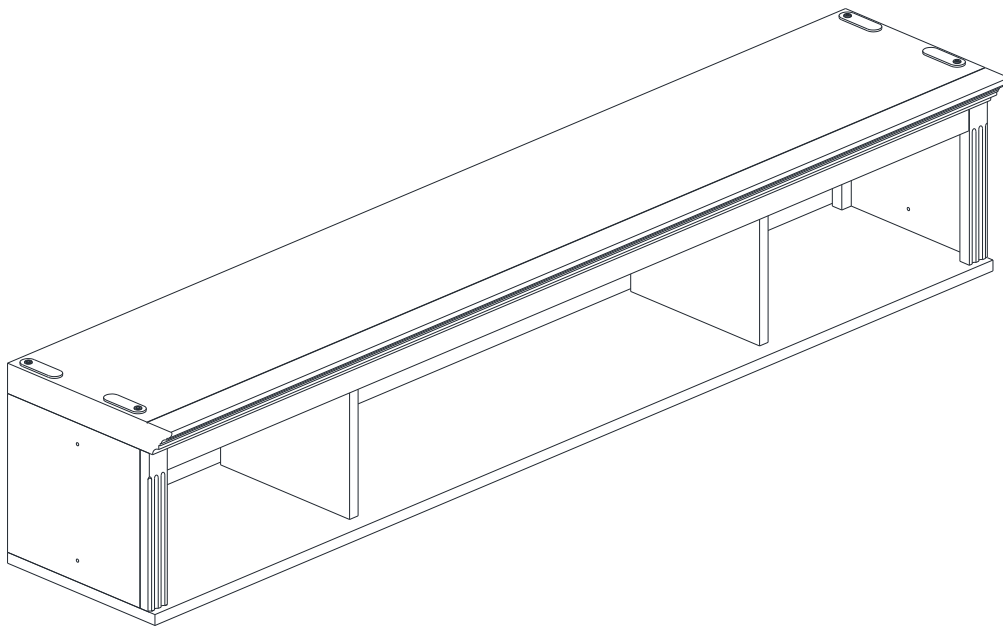


POTTERYBARN



LIVINGSTON QUADRUPLE BRIDGE

Date : 28-March-16

Rev :-

www.potterybarn.com

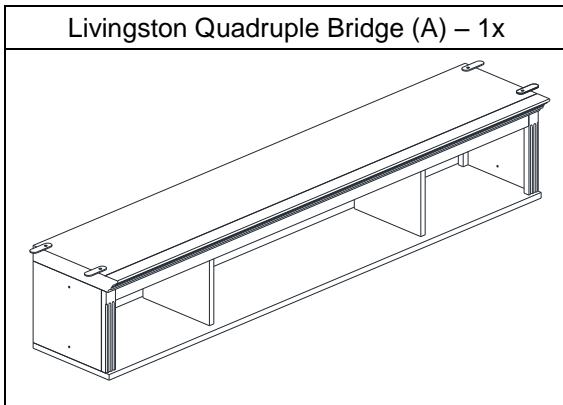
Important Safety Instructions:

- Please read all instructions carefully before assembling.
- For your safety, assembly by two or more adults is strongly recommended.
- Keep instructions for future use.
- Use only vendor supplied hardware to assemble. Using unauthorized hardware could jeopardize the structural integrity of the item.
- The Livingston Quadruple Bridge is designed for use with Livingston Single Hutch or Double Hutch.

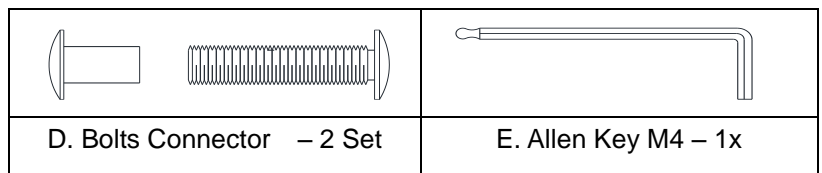
Pre-assembly:

- Remove all parts and hardware from the box and lay out on a clear carpeted or scratch-free work surface, as this will avoid damaging parts during assembly. The shipping box provides an ideal work surface.
- Do not dispose of any packaging or contents of the shipping carton until assembly is completed to avoid accidentally discarding small parts or hardware.
- Use the parts and hardware lists below to identify and separate each of the pieces included.
- The illustrations provided allow for easier assembly when used in conjunction with the assembly instructions.
- The use of power tools to aid in assembly is not recommended. Power tools can damage hardware and split wood.

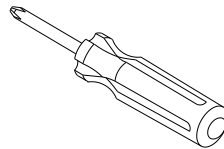
Parts Enclosed:



Hardware Enclosed:

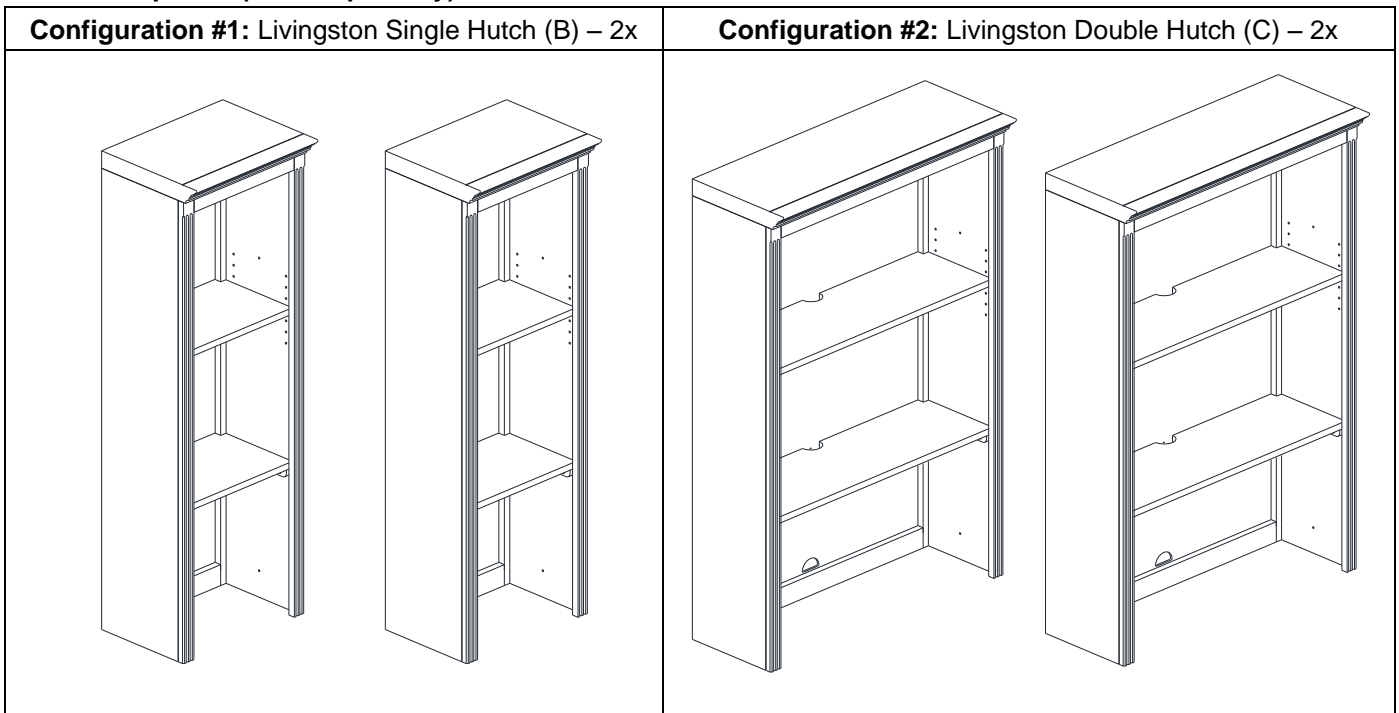


Tool Required:



Philip Scew Driver

Hutches Options (Sold Separately):



1. Turn out the mending plates on the top of Quadruple Bridge (A) by loosen the allen bolts pre-attached on its mending plates with the Allen Key (E) as shown in **fig. 1, illustration. 1**.
2. Re-tighten with the Allen Key (E).

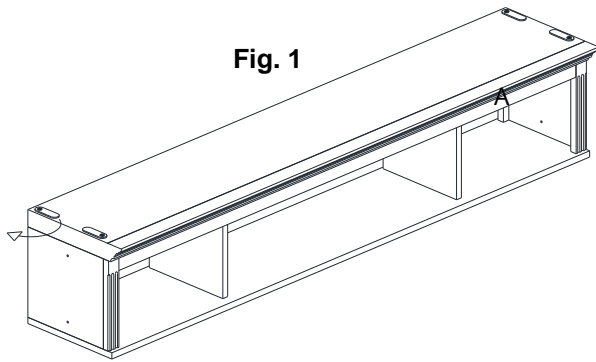


Fig. 1

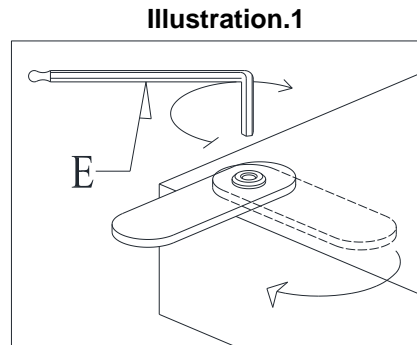


Illustration.1

Assembly Instructions :

Configuration #1: Livingston Single Hutch (B) and Livingston Single Hutch (B).

- Position all Livingston Modular items which will be set up together at the desired location.
- Use drill bit to penetrate the pre-drilled holes on top side of the side panels of Hutches that will be connected together as shown in **illustration. 2**.
- Place the Quadruple Bridge (A) in between the Single Hutches (B) by laying the mending plates pre-attached on the Quadruple Bridge (A) onto the Top of the Hutches Items as shown in **fig. 2**.
- Align the holes at side panels of all cases and insert the connector bolts (D & D') then tighten with a screwdriver (Not Included) as shown in **fig. 3, illustration. 3**.

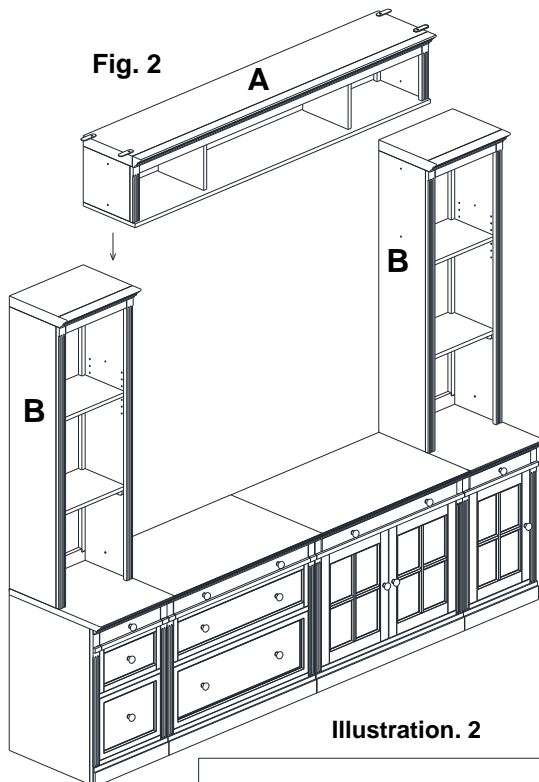


Fig. 2

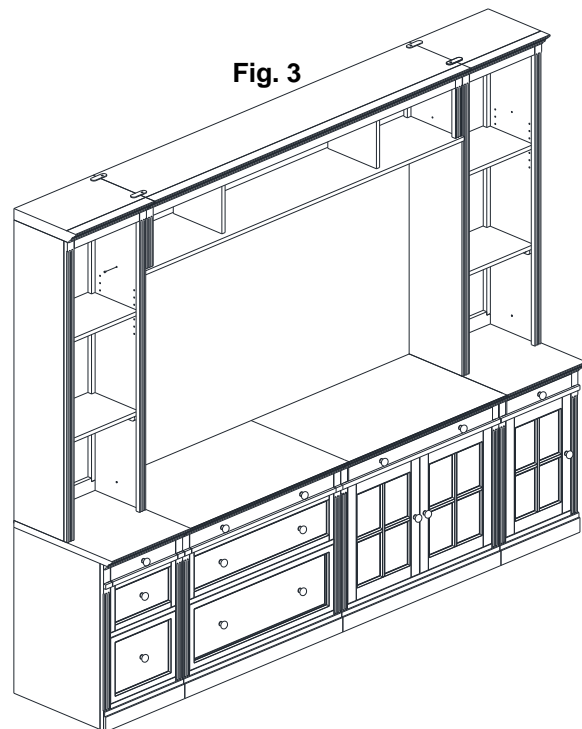


Fig. 3

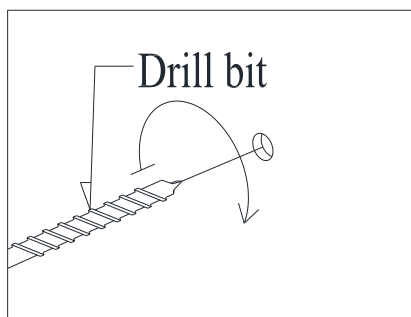


Illustration. 2

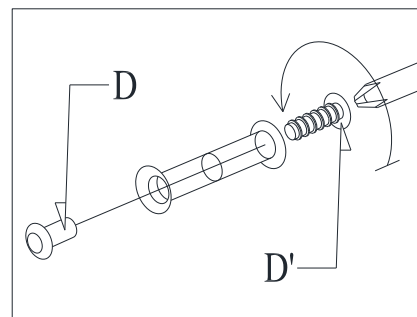


Illustration. 3

Configuration #2: Livingston Double Hutch (C) and Livingston Double Hutch (C).

- Position all Livingston Modular items which will be set up together at the desired location.
- Use drill bit to penetrate the pre-drilled holes on the side panels of Hutches that will be connected together as shown in **illustration. 4**.
- Place the Quadruple Bridge (A) in between the Double Hutches (C) by laying the mending plates pre-attached on the Quadruple Bridge (A) onto the Top of the Hutches Items as shown in **fig. 4**.
- Align the holes at side panels of all cases and insert the connector bolts (D & D') then tighten with a screwdriver (Not Included) as shown in **fig. 5, illustration. 5**.

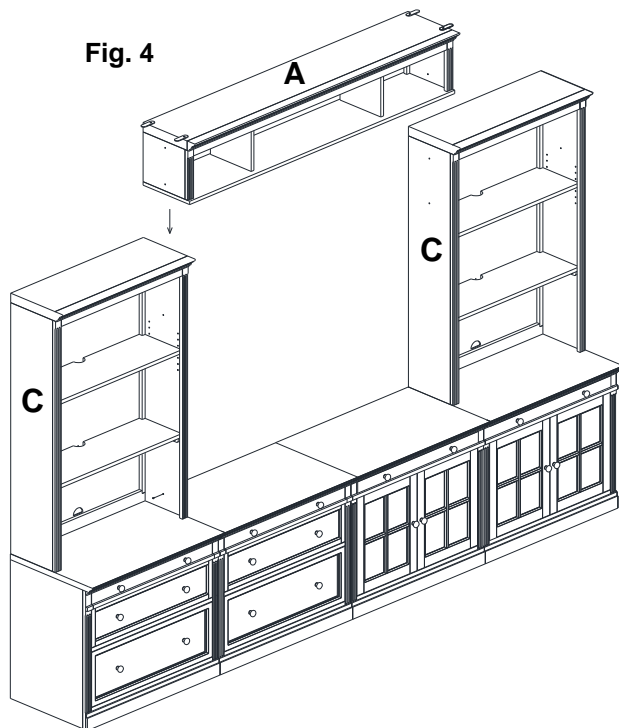


Fig. 4

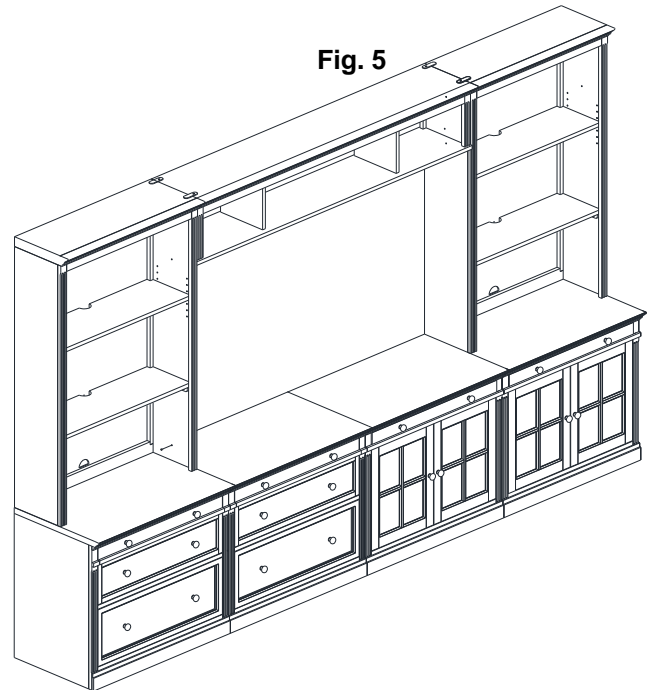


Fig. 5

Illustration. 4

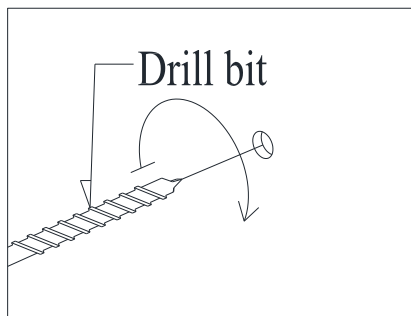
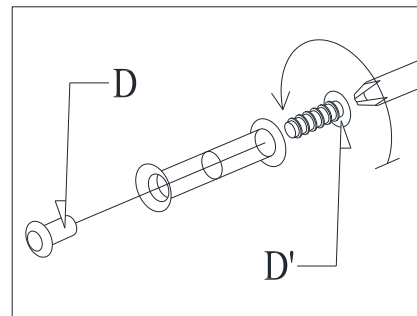


Illustration. 5



Care Instructions:

- Dust often using a clean, soft, dry and lint-free cloth.
- Blot spills immediately and wipe with a clean, damp, cloth.
- We do not recommend the use of chemical cleansers, abrasives or furniture polish on our lacquered finish.