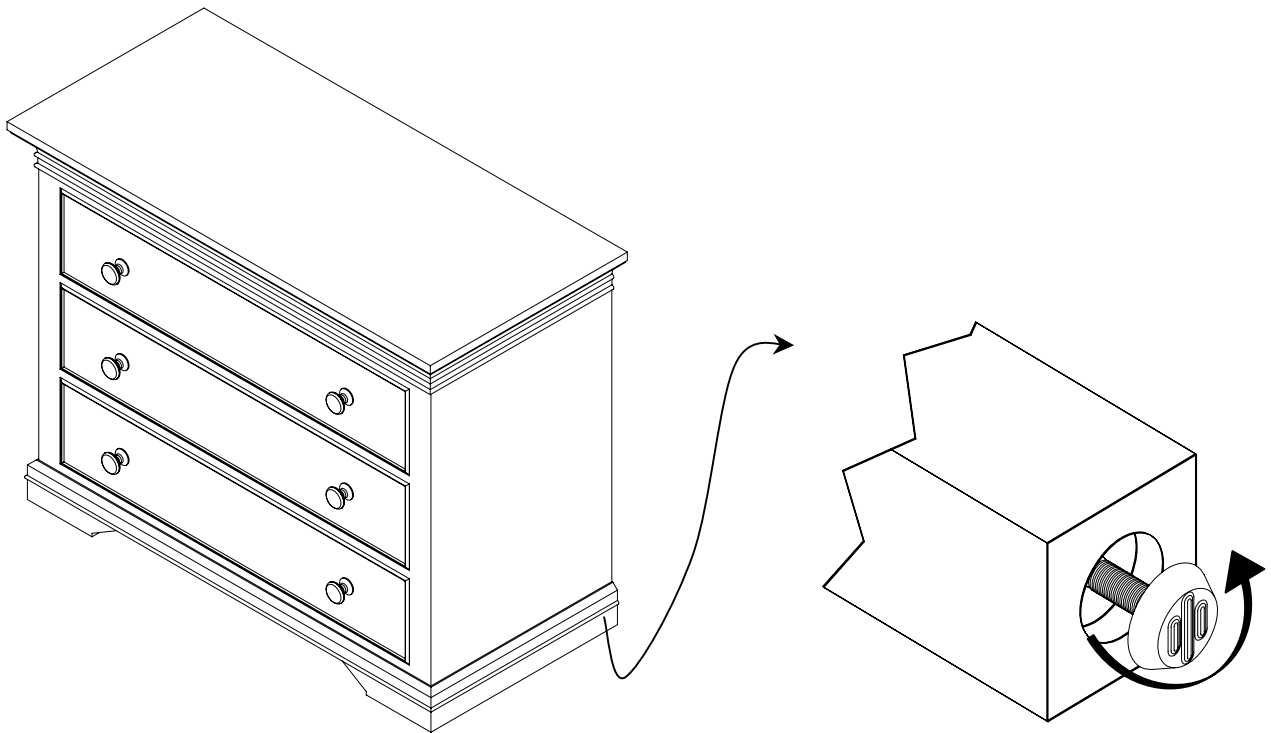


pottery barn kids

larkin sleigh dresser

If your floor is not perfectly even, the furniture may not sit level causing it to wobble. If the piece wobbles, determine which corner does not touch the ground correctly. With two people follow these steps:

- If left side does not touch the floor: Carefully grasp the left side of the dresser. Elevate it slightly to provide access to the levelers attached to the base of the LEFT legs. Turn the levelers in a counter-clockwise direction. Carefully return the dresser to its upright, level position.
- If right side does not touch the floor: Carefully grasp the right side of the dresser. Elevate it slightly to provide access to the levelers attached to the base of the RIGHT legs. Turn the levelers in a counter-clockwise direction. Carefully return the dresser to its upright, level position.
- If the dresser is still not level, repeat the above steps.



CARE INSTRUCTIONS:

- Use a soft dry or slightly damp cloth to clean daily.
- Wipe up spills immediately.
- To protect the finish always avoid the use of chemical and abrasive cleansers.
- The use of coasters is recommended to prevent the formation of moisture rings.

Thank you for your purchase
stores | catalog | www.potterybarnkids.com
USA 1.800.290.8181