

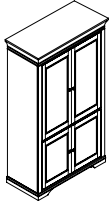
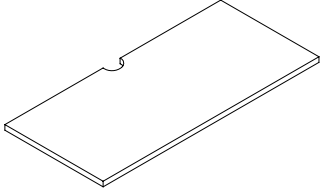
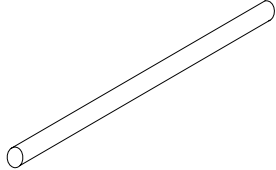
pottery barn kids

LARKIN ARMOIRE

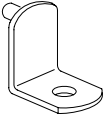
PRE-ASSEMBLY:

- For safety and ease, assembly by two adults is recommended.
- Remove all parts and hardware from the box and lay out on a clean, carpeted, or scratch-free work surface. Use care as some parts or hardware may have sharp points or edges. Do not dispose of any contents until assembly is completed to avoid accidentally discarding small parts or hardware.
- Use the parts and hardware lists to identify and separate each of the pieces included.
- Read all instructions before beginning assembly. The illustrations provided allow for easier assembly when used in conjunction with the assembly instructions.
- Note: Do not fully tighten all bolts until all parts are in place. Failure to follow these instructions may cause the bolts to misalign during assembly.
- The use of power tools for assembly is not recommended. Power tools can damage hardware or split wood.

PARTS INCLUDED:

(A) Armoire – 1 pcs	(B) Shelf – 3 pcs (Pre-assembly)	(C) Hanging Rod – 1 pcs (Pre-assembly)
		

HARDWARE ENCLOSED:

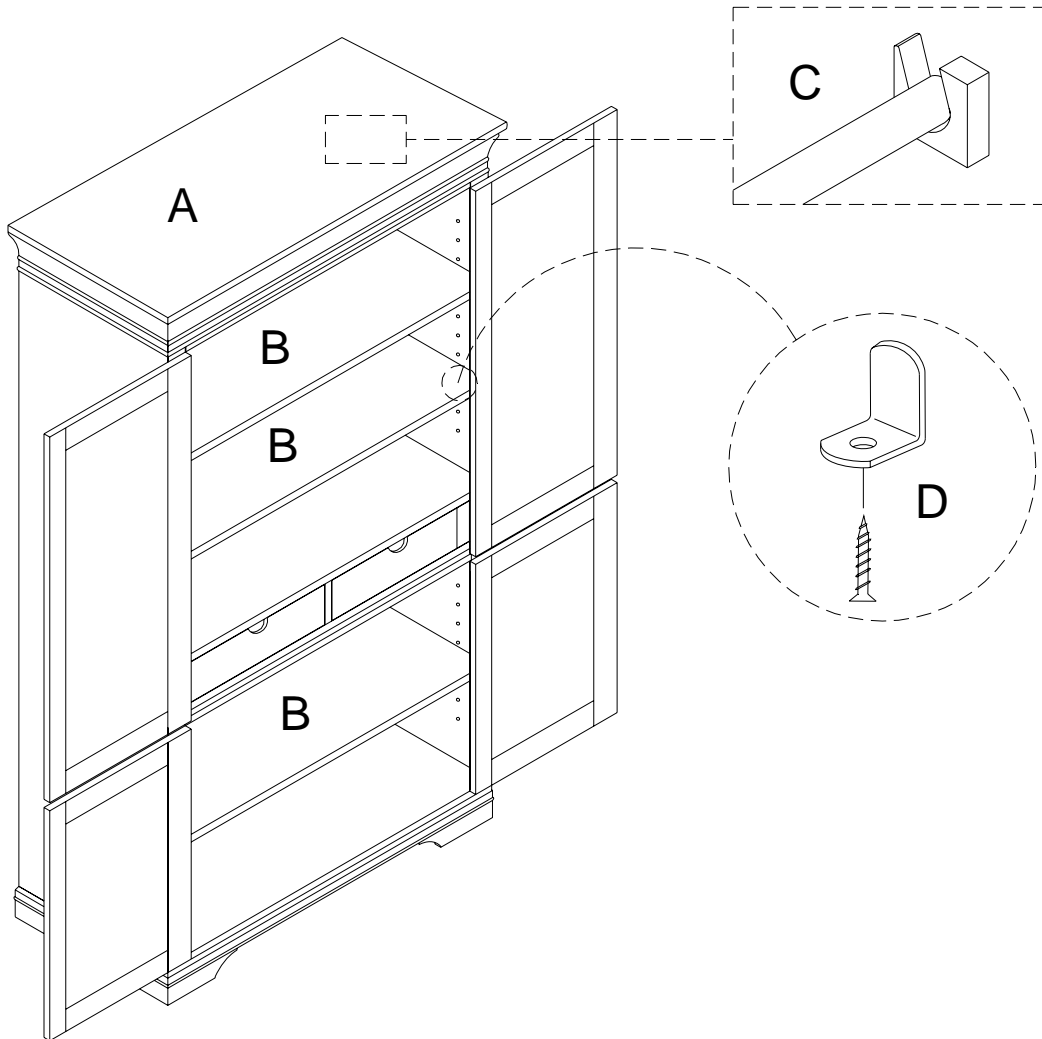
(D) Shelf Pins – 12 pcs (Pre-installed)


TOOLS REQUIRED:

Phillips Head Screwdriver (Not Included)

ASSEMBLY:

1. The Shelves (B) and Hanging Rod (C) are pre-installed inside the Armoire (A). To move any shelf, remove the Screws pre-attached to the Shelf Pins (D) using a Phillip Head Screwdriver. Set the Shelf (B) aside and the remove the Shelf Pins (D). Reinsert the Shelf Pins (D) at the desired height and fasten using the Philips Head Screwdriver (not included).



CARE INSTRUCTIONS:

- Dust often using a clean, soft, dry lint-free cloth.
- Blot spills immediately, and wipe with a clean, damp, cloth.
- We do not recommend the use of chemical cleansers, abrasives or furniture polish.
- As a safety precaution, please follow the instructions enclosed to secure the product to the wall using the tipping-restraint kit included.

Thank you for your purchase
stores | catalog | www.potterybarnkids.com
USA 1.800.290.8181