

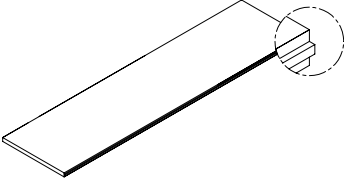
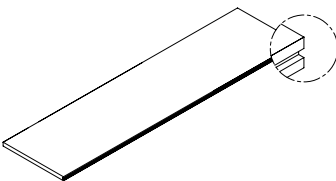
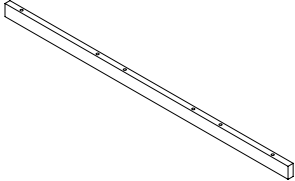
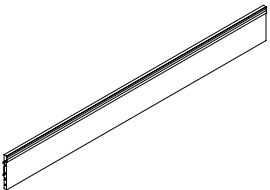
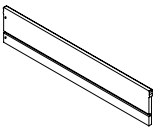
pottery barn kids

LARKIN 4 POSTER BED TRUNDLE

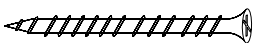
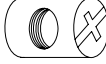

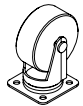
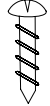

PRE-ASSEMBLY:

- Please read all instructions before beginning assembly. The illustrations provided allow for easier assembly when used in conjunction with the assembly instructions.
- For your safety and ease, assembly by two adults is recommended.
- Remove all parts and hardware from box and lay out on a carpeted or scratch-free work surface, as this will avoid damaging any parts during assembly. The shipping box provides an ideal work surface. Do not dispose of any contents until assembly is completed to avoid accidentally discarding small parts or hardware.
- Use the parts and hardware lists to identify and separate each of the pieces included.
- Note: Do not fully tighten all bolts until all parts are in place. Failure to follow these instructions may cause the bolts to misalign during assembly.
- If using power tools to aid in assembly please use caution. Power tools can damage hardware or split wood.

PARTS INCLUDED:

A - Side Bottom Board with Protruding Edge (2 pcs)	B - Middle Bottom Board with Sunken Edge (1 pcs)	C - Wooden Rail (2 pcs)
		
D - Long Side Rail (2 pcs)	E - Short Side Rail (2 pcs)	
		

HARDWARE INCLUDED:

F - Phillip Head Screw #8x30 mm (22 pcs)	G - Barrel Nut 6x13x10mm (8 pcs)	H - Allen Bolt M6 x 60 mm (8pcs)
		
I - Caster 40x60x70mm (6 pcs)	J - Pan Head Screw #4 x 12 mm (24 pcs)	K - Allen Key (1 pcs)
		

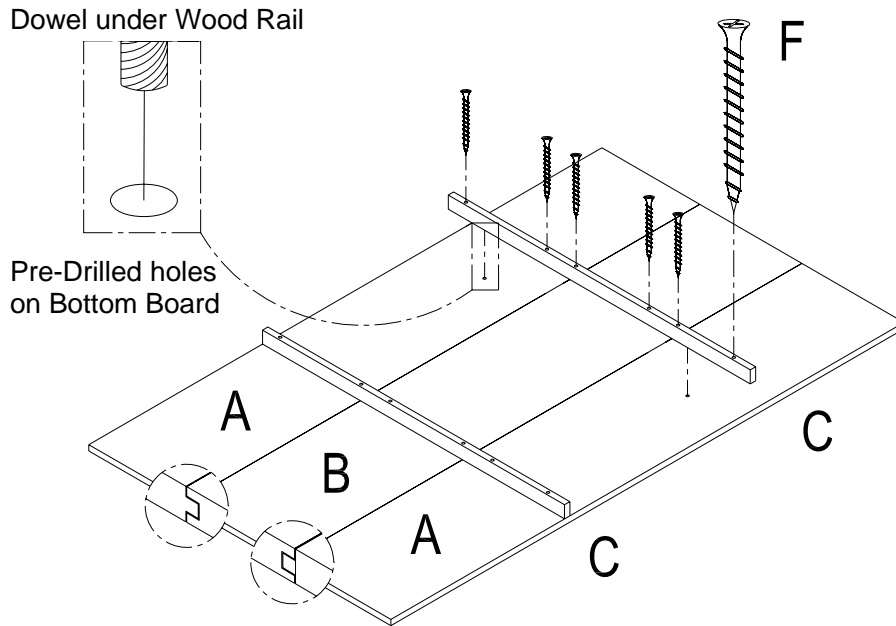
TOOLS REQUIRED:

- Screwdriver (Not Included)
- Phillips Head Screwdriver (Not included)

ASSEMBLY:

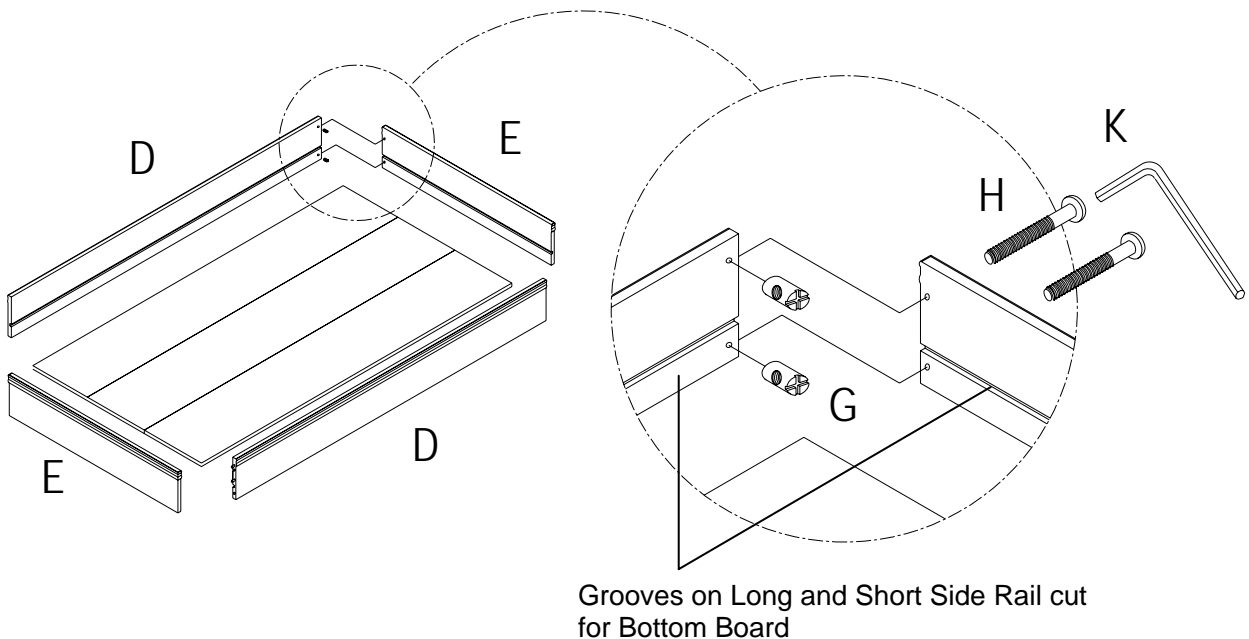
1. Insert the Middle Bottom Board (B) into the two Side Bottom Boards (A) with the pre-drilled holes on the Side Bottom Boards (A) facing up. Attach the Wooden Rails (C) to the assembly by inserting the wood dowels on the Wooden Rail into the pre-drilled holes on the Side Bottom Boards as shown. Secure the Wooden Rails by using twelve (12) Phillips Head Screws #8x30mm (F). See Fig. 1.

Fig. 1



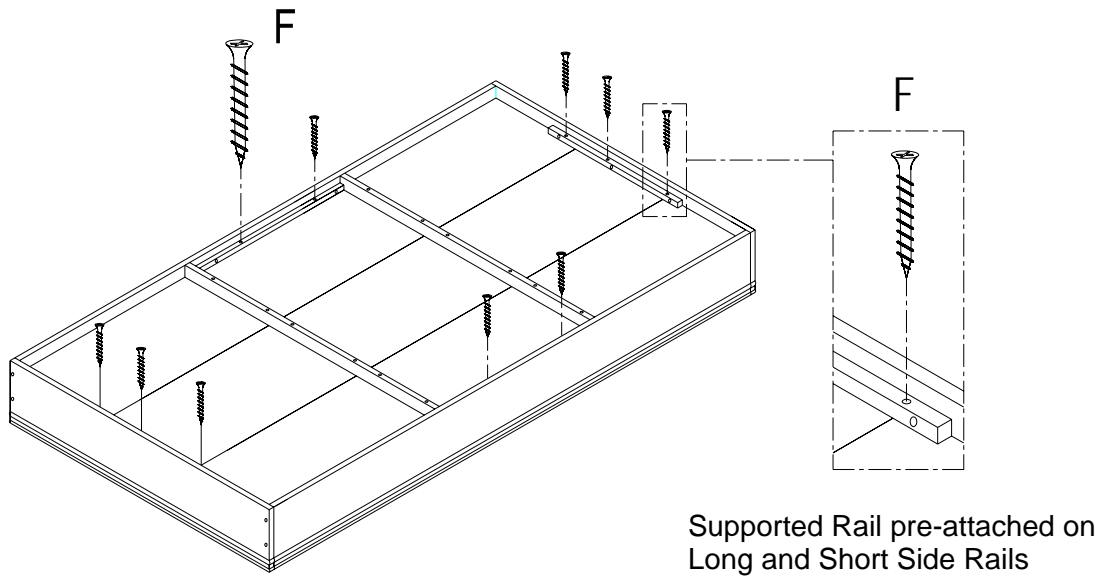
2. Turn the assembled piece over. Attach the Long Side Rails (D) and Short Side Rails (E) to the Bottom Boards as shown. Connect rails by using two (2) Barrel Nuts (G) and two (2) Allen Bolts M6 x 60 mm (H) at each corner. Secure Allen Bolts with enclosed Allen Key (K). See Fig 2.

Fig. 2



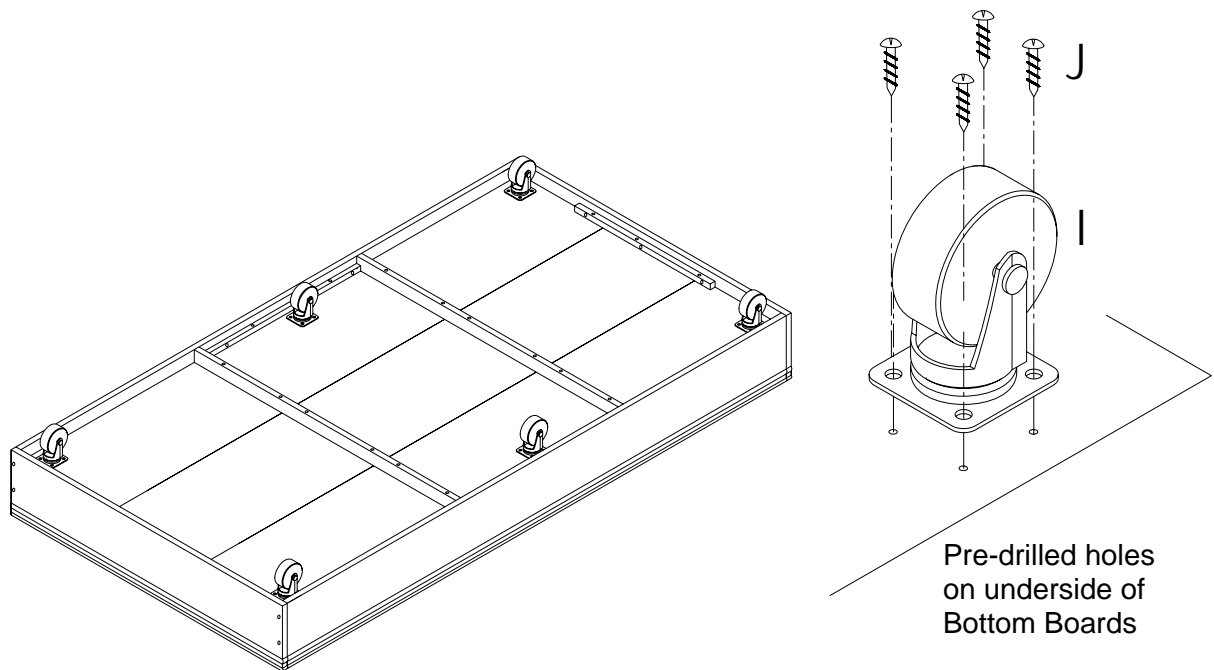
3. Turn assembled trundle upside down. Insert the remaining ten (10) Phillips Head Screws #8x30 mm (F) into the predrilled holes on the support rails found pre-attached to the Long Side Rails and Short Side Rails as shown. Secure with a Phillips Head Screwdriver. (Fig. 3)

Fig. 3



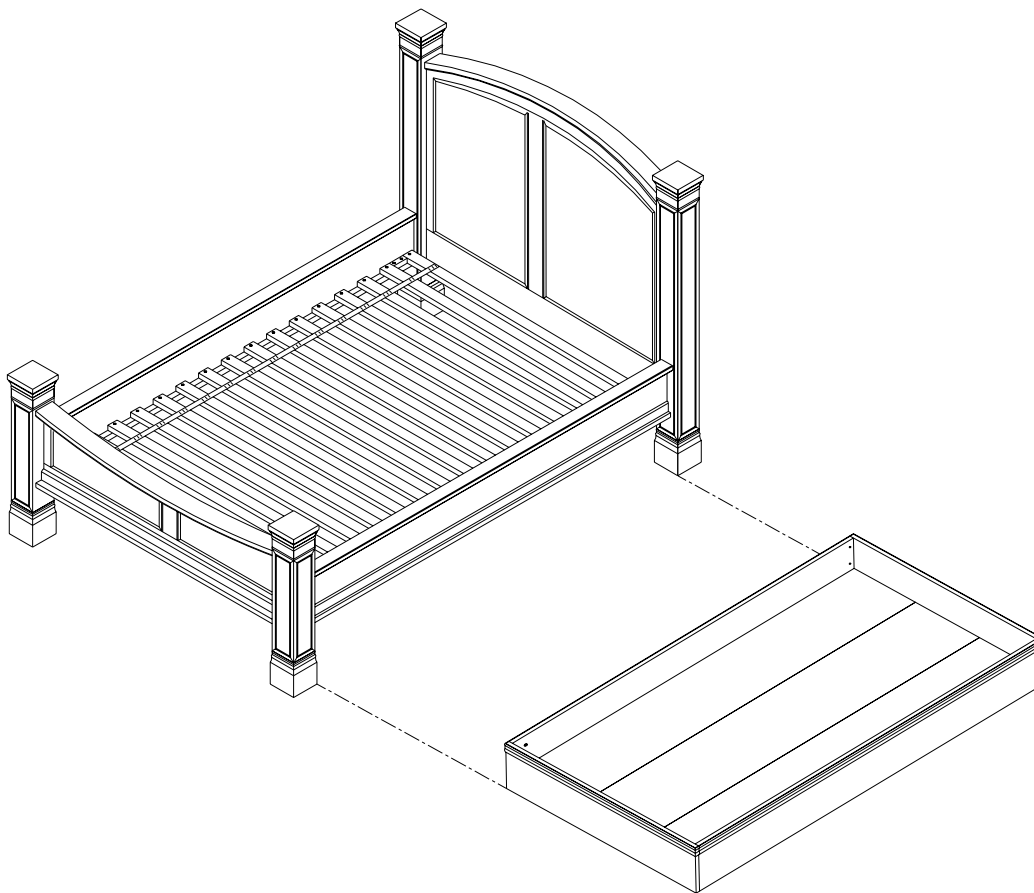
4. Attach the Casters (I) to the bottom four corners of the bottom board using four (4) Pan Head Screw #4x12 mm (J) for each caster. Secure with Screwdriver. See Fig. 4.

Fig. 4



5. Turn the Trundle upright. Align it with the space under the Bed. Slowly move it into the bed, taking care not to scratch the finish. See Fig. 5.

Fig. 5



6. Assembly is completed

CARE INSTRUCTIONS:

- Dust often using a clean, soft, dry, lint-free cloth.
- Blot spills immediately, and wipe with a clean, damp, cloth.
- We do not recommend the use of chemical cleansers, abrasives, or furniture polish on our lacquered finish.

Thank you for your purchase
stores | catalog | www.potterybarnkids.com
USA 1.800.290.8181