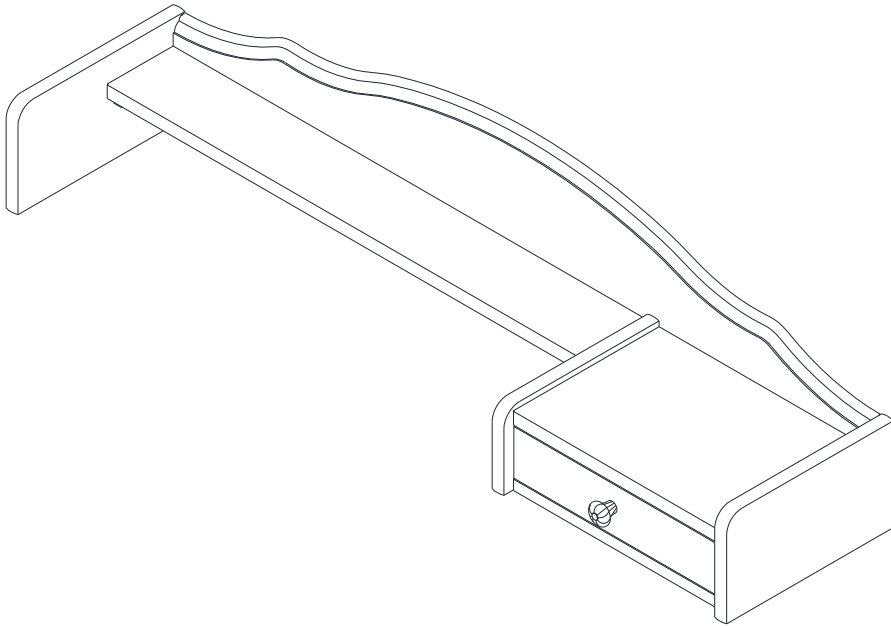


pottery barn kids

JULIETTE STORAGE DESK HUTCH

ASSEMBLY INSTRUCTIONS



Important Safety Instructions:

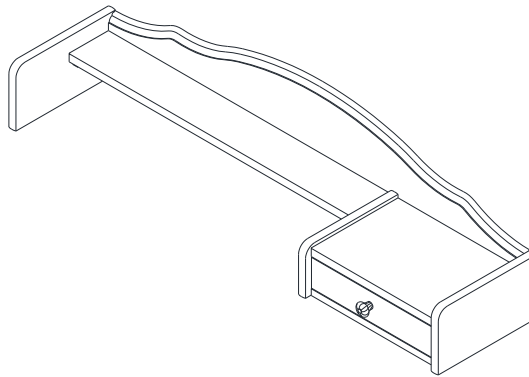
- Please read all instructions carefully before assembling.
- For your safety, assembly by two or more adults is strongly recommended.
- Keep instructions for future use.
- Use only vendor supplied hardware to assemble. Using unauthorized hardware could jeopardize the structural integrity of the item.

Pre-assembly:

- Remove all parts and hardware from the box and lay out on a clear carpeted or scratch-free work surface, as this will avoid damaging parts during assembly. The shipping box provides an ideal work surface.
- Do not dispose of any packaging or contents of the shipping carton until assembly is completed to avoid accidentally discarding small parts or hardware.
- Use the parts and hardware lists below to identify and separate each of the pieces included.
- The illustrations provided allow for easier assembly when used in conjunction with the assembly instructions.
- The use of power tools to aid in assembly is not recommended. Power tools can damage hardware and split wood.

Parts Included:

Juliette Storage Desk Hutch - 1pc




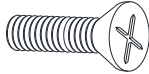
Parts Required:

Juliette Storage Desk - 1pc

NOTE: This desk is SOLD SEPARATELY



Hardware Included:

<p>(A) Mending plate 72x18x2mm – 2x</p> 	<p>(B) Machine head screw M4x12mm – 6x</p> 
-----------------------------------------------------------------------------------------------------------------------------	---------------------------------------------------------------------------------------------------------------------------------

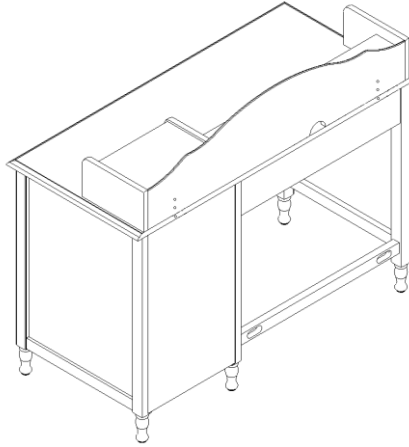
Tools Required (not included):

Phillips Head Screwdriver

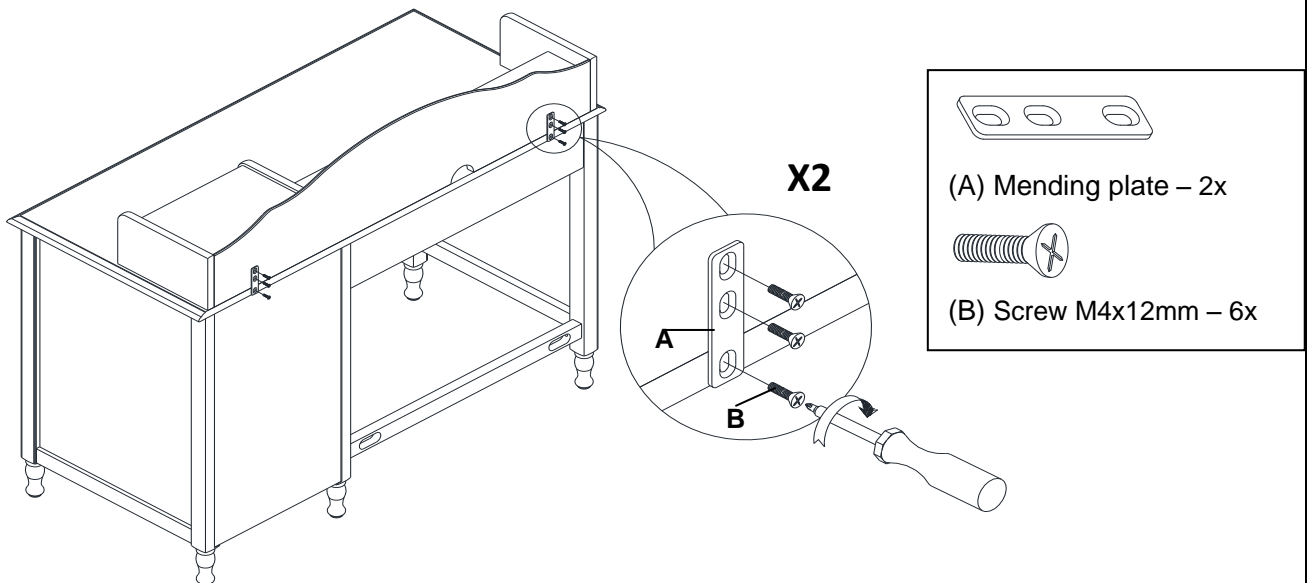


Assembly Instruction Steps:

1. Carefully place the Juliette Storage Desk Hutch on the back rear of the Juliette Storage Desk (**SOLD SEPARATELY**). Make sure the Hutch doesn't scratch or damage the surface of the Desk.
2. Align the threaded inserts at the back of Desk and Hutch, as shown in the illustration below.



3. Attach 1 Mending Plate (A) over the threaded inserts on the back of the Desk and Hutch.
4. Insert 3 Machine Head Screws 5/32"x12mm (B) into the Mending Plate (A) and tighten with a Phillips Head Screwdriver (not included), as seen in the illustration below.
5. Repeat the steps above to secure the other side of the Desk and Hutch using the second Mending Plate (A).



6. **NOTE:** Installation of the Anti Tip Kit is **REQUIRED**. Please follow the separate instructions to secure the Desk to the wall by using tipping-restraint kit included.
7. If needed, adjust the levelers underneath of bottom legs of the Desk to keep the whole set level.

Care Instructions:

- Dust often using a clean, soft, dry and lint-free cloth.
- Blot spills immediately and wipe with a clean, damp, cloth.
- We do not recommend the use of chemical cleansers, abrasives or furniture polish on our lacquered finish.
- Hardware may loosen over time. Periodically check to make sure all connections are tight. Re-tighten if necessary.

Thank you for your purchase
Stores | catalog | www.potterybarnkids.com
USA 1.800.290.8181