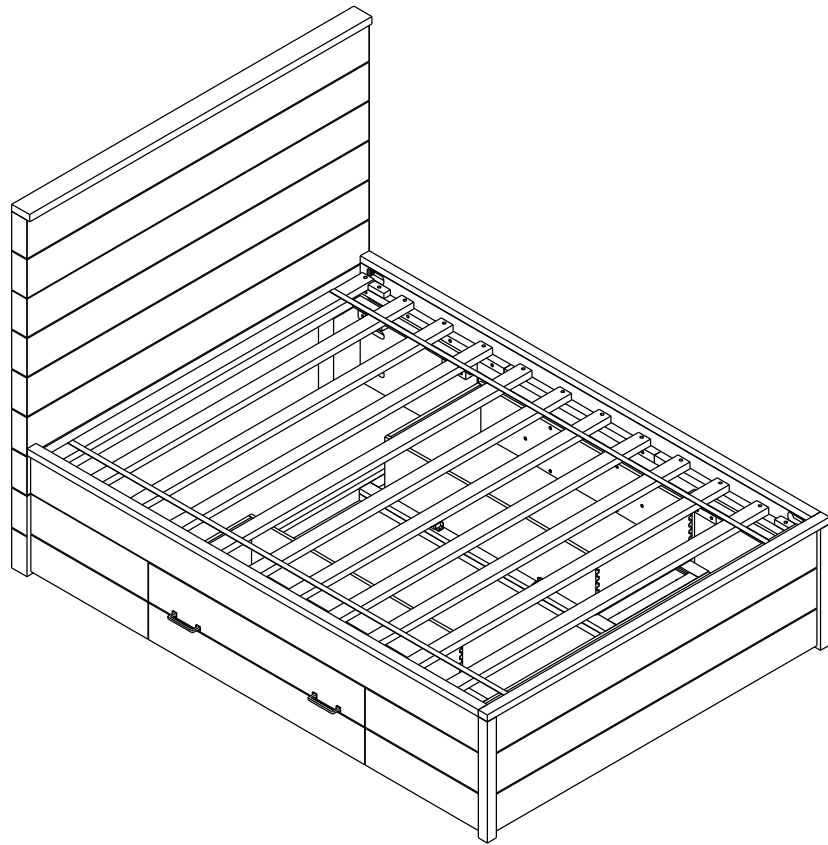


pottery barn kids



GRAYSON STORAGE BED

Important Safety Instructions:

- Please read all instructions carefully before assembling.
- For your safety, assembly by two or more adults is recommended.
- Keep instructions for future use.
- Use only vendor supplied hardware to assemble. Using unauthorized hardware could jeopardize the structural integrity of the item.
- Do not remove warning labels. Labels are permanent and not designed to be removed.

Pre-assembly:

- Remove all parts and hardware from the box and lay out on a clear carpeted or scratch-free work surface, as this will avoid damaging parts during assembly. The shipping box provides an ideal work surface.
- Do not dispose of any packaging or contents of the shipping carton until assembly is completed to avoid accidentally discarding small parts or hardware.
- Use the parts and hardware lists below to identify and separate each of the pieces included.
- The illustrations provided allow for easier assembly when used in conjunction with the assembly instructions.
- The use of power tools to aid in assembly is not recommended. Power tools can damage hardware and split wood.

Parts Included:

(A) Headboard (1x)

(B) Headboard Left Leg (1x)

(C) Headboard Right Leg (1x)

(D) Footboard (1x)

(E) Side Rail(2x)

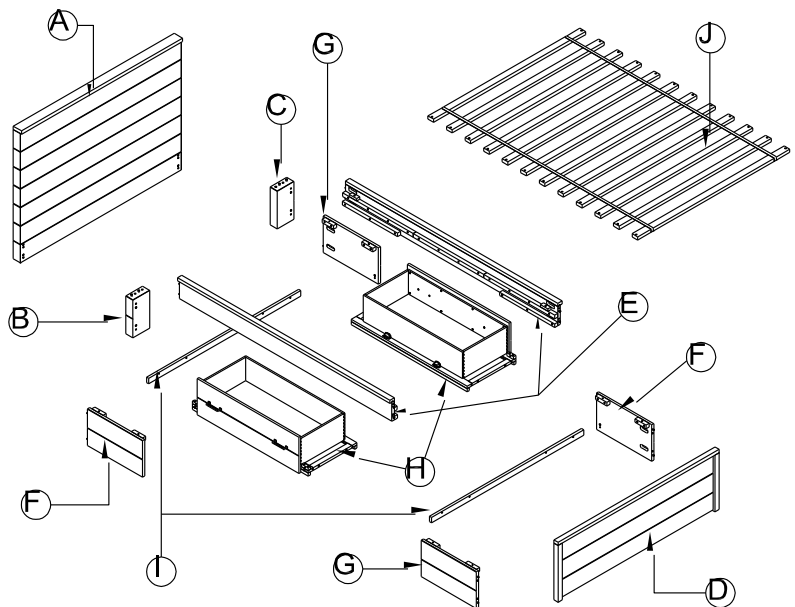
(F) Side rail Panel(2x)

(G) Side rail Panel(2x)

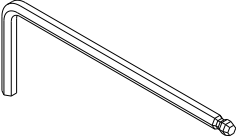
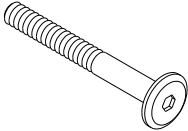
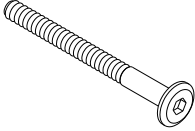
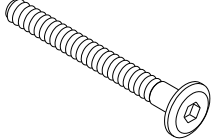
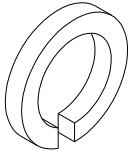
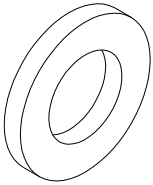
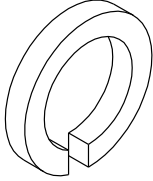
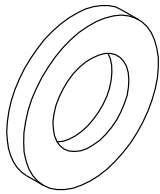
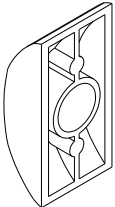
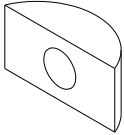
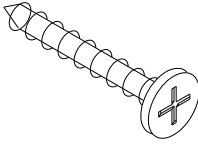
(H) Drawers(2x)

(I) Support Rail(2x)

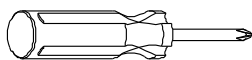
(J) Slats Roll(1 set)



Hardware Included:

<p>(K) Ball Tip Allen Key - 1x</p> 	<p>(L) Allen Bolt 5/16"x63mm -12 x</p> 	<p>(M) Allen Bolt 1/4"x63mm - 8x</p> 	<p>(N) Allen Bolt 1/4"x38mm - 20x</p> 
<p>(O) Spring Washer 5/16" - 12x</p> 	<p>(P) Flat Washer 5/16"-12x</p> 	<p>(Q) Spring Washer 1/4" -28x</p> 	<p>(R) Flat Washer 1/4"- 28x</p> 
<p>(S) Half Moon Washer 5/16"-8x</p> 	<p>(T) Half Moon Washer 1/4"-8x</p> 	<p>(X) Phillips head screw 8x30mm -24x</p> 	

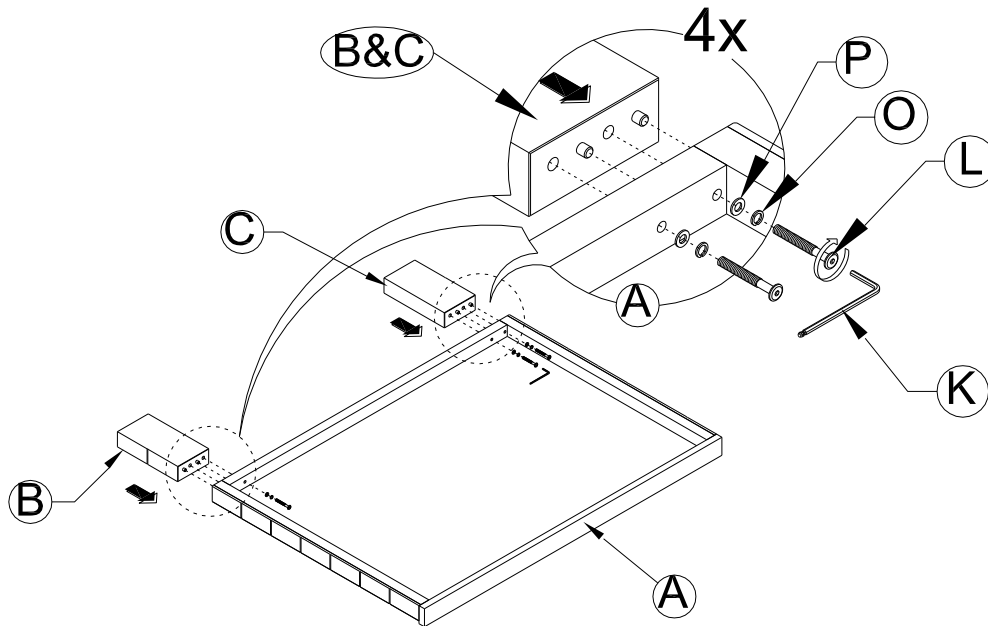
Tools required (not included):

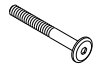




Phillips Head Screwdriver

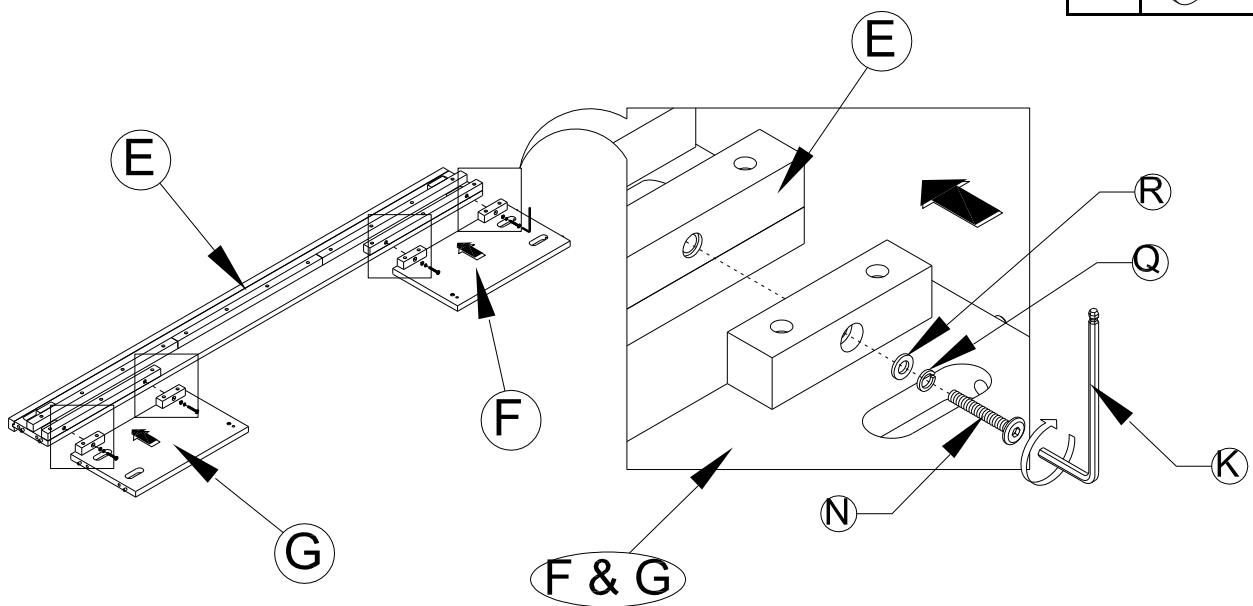
Assembly Instruction Steps:

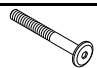


1. Attach (B)&(C) to (A) using (K) as shown below.



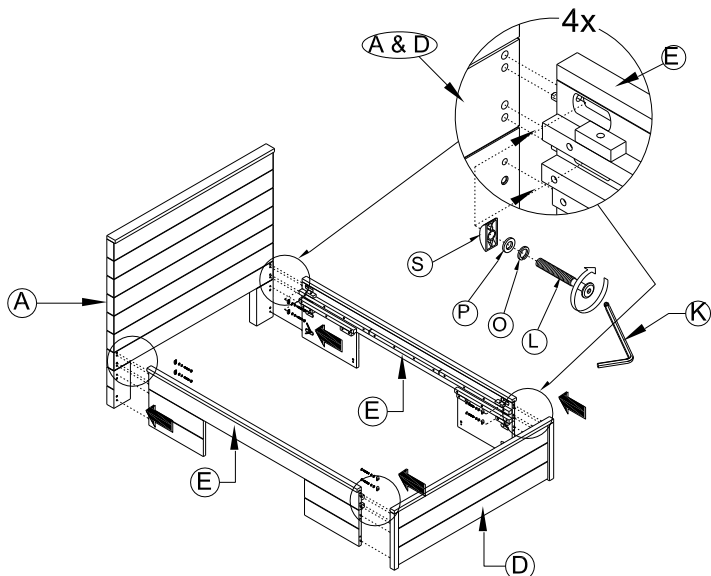
L		4x
O		4x
P		4x

2. Attach (G&F) to (E) using (K) as shown below. Do not fully tighten .



N		8x
Q		8x
R		8x

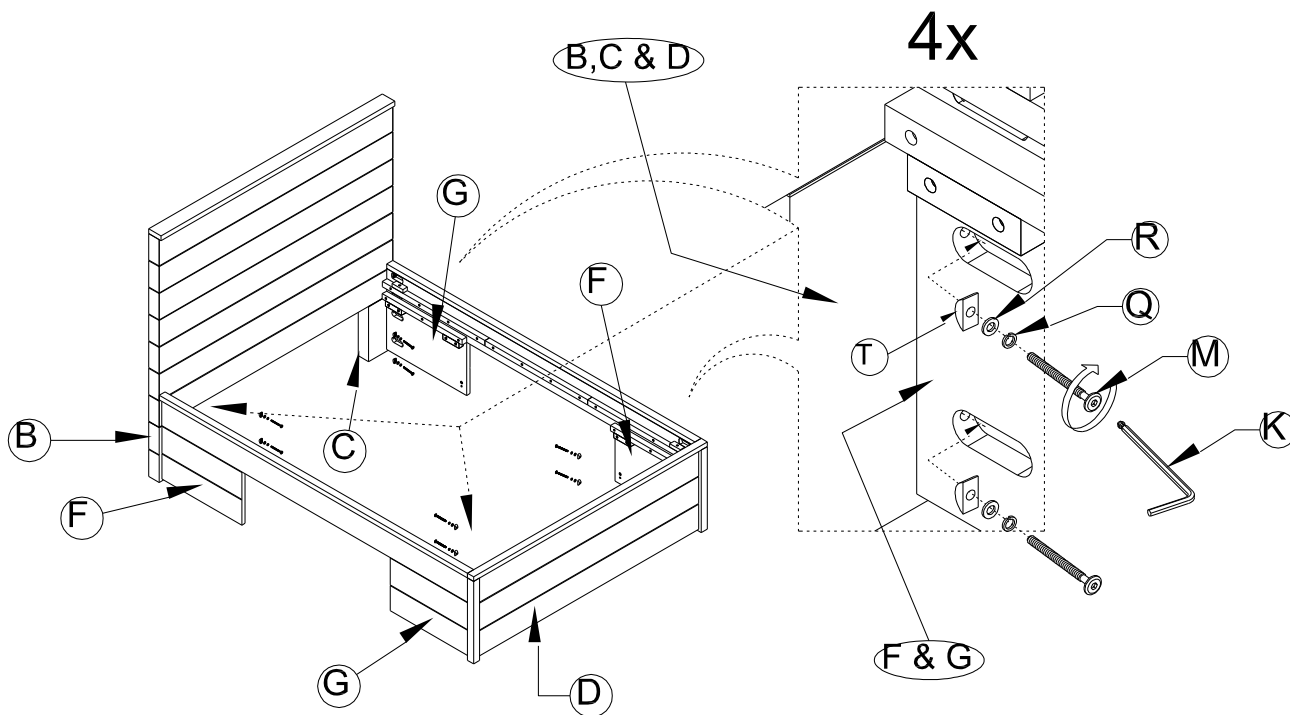
3. Attach (E) to (A)&(D) using (K) as shown below. Do not fully tighten.






L		8x
O		8x
P		8x
S		8x

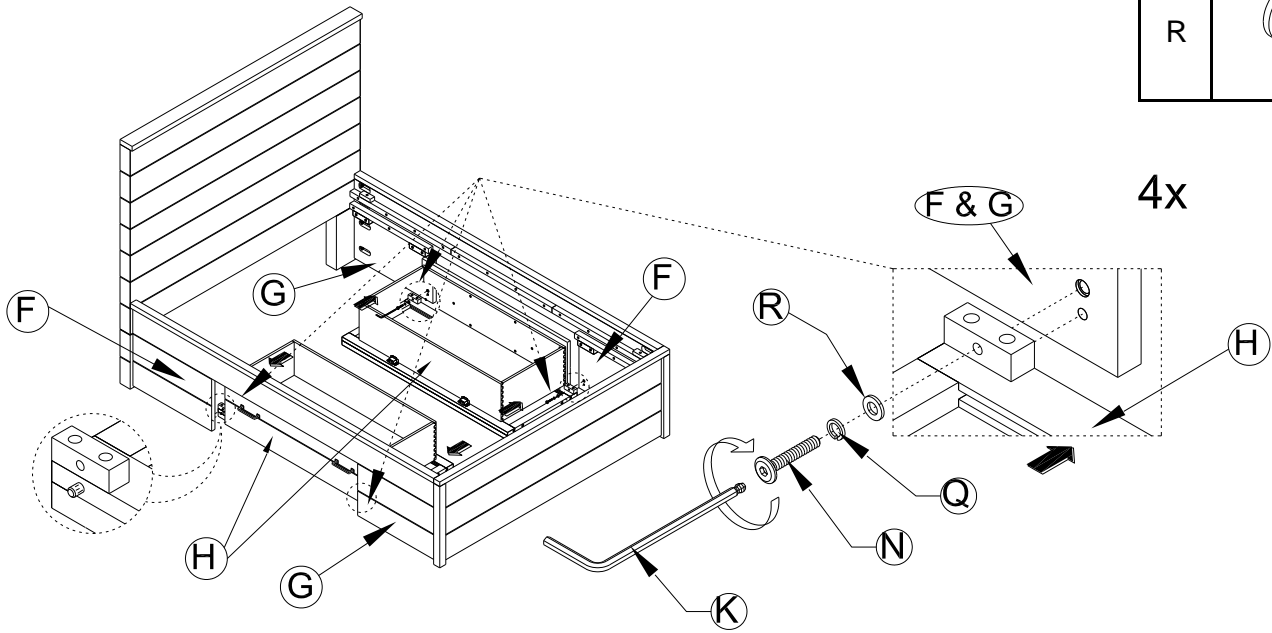
4. Attach (F&G) to (B&C&D) using (K) ,as shown below. Do not fully tighten.

M		8x
Q		8x
R		8x
T		8x

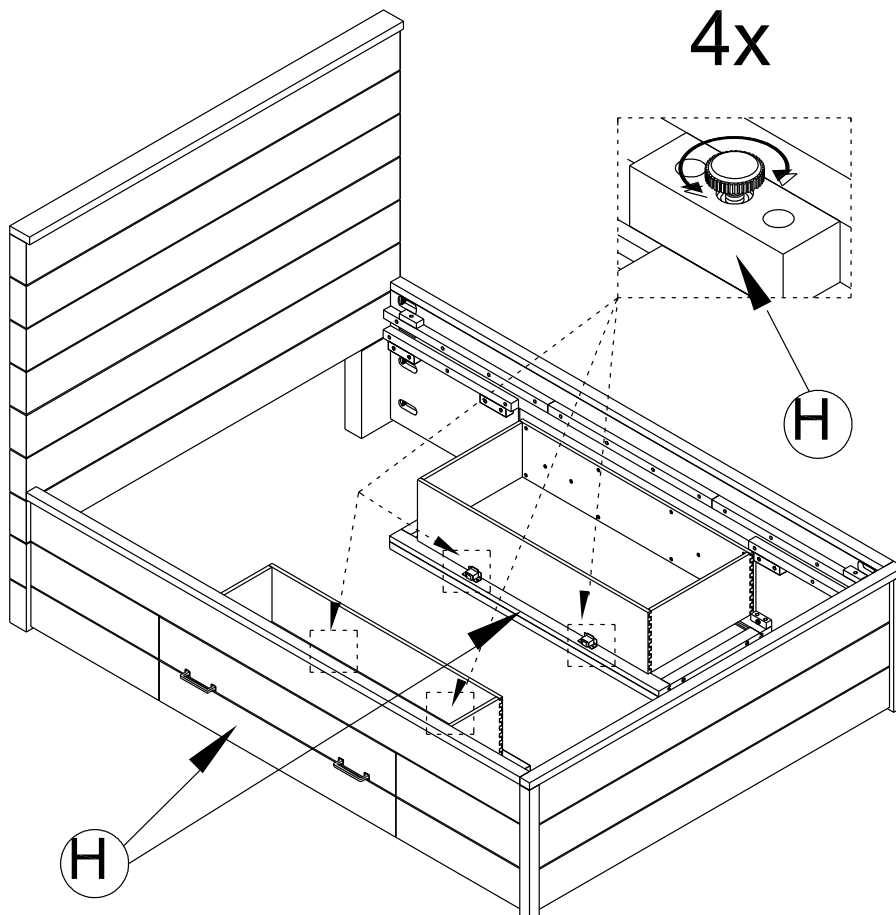


5. Attach (H) to (F)&(G). making sure the pre-drilled holes align. as shown below.
Do not fully tighten..




N		4x
Q		4x
R		4x

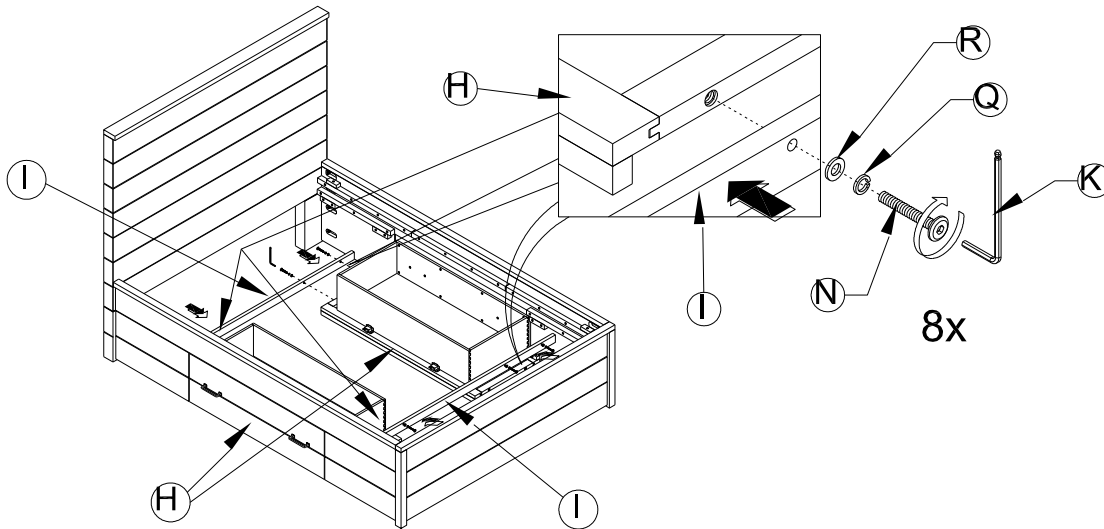


6. Adjust the lever (up and down) on (H) . as shown below.




7. Attach (I) to (H). as shown below. Check alignments and secure all bolts with (K).

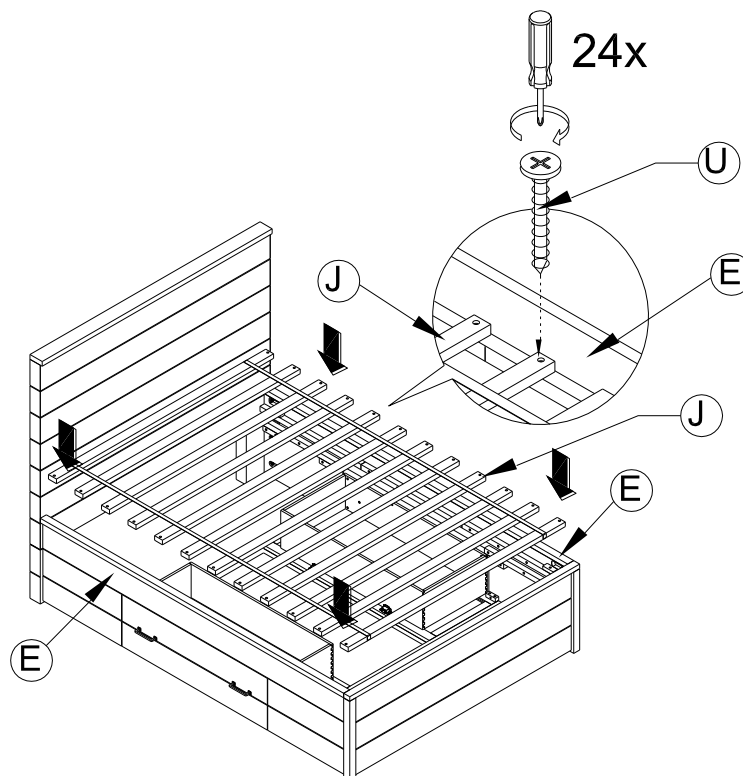
N		8x
Q		8x
R		8x



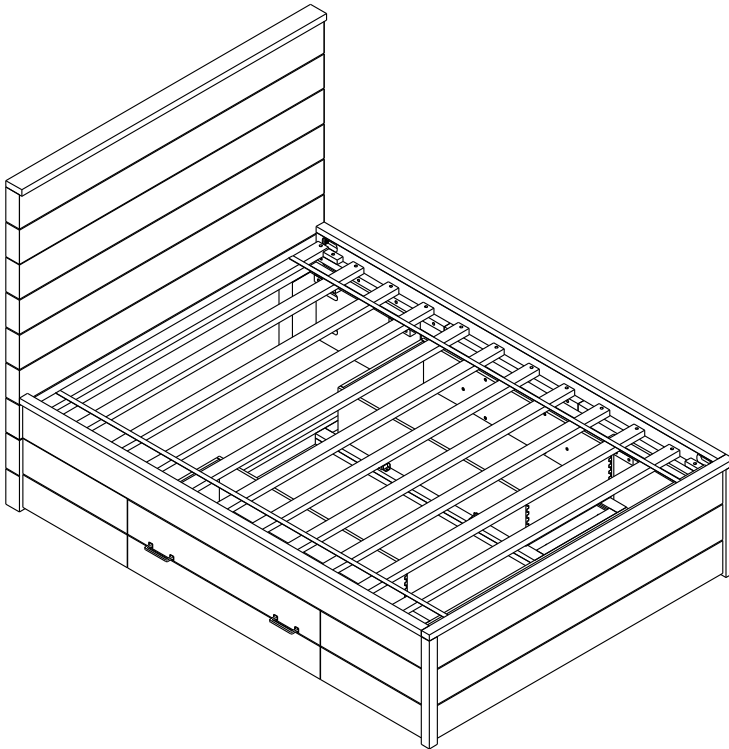
Notes : Make sure the wooden drawer runners, and the rubber stoppers are properly aligned as you re-install the drawer.

8. Attach Slat Roll (J) to the bed .

U		24x
---	---	-----



9. Assembly is completed.



Care Instructions:

- Dust often using a clean, soft, dry, lint-free cloth.
- Blot spills immediately, and wipe with a clean, damp cloth.
- We do not recommend the use of chemical cleansers, abrasives, or furniture polish on our lacquered finish.
- If the product is to be stored, store in cool dry place and carefully package all original hardware to protect from loss or damage.
- Check fasteners periodically for tightness. **DO NOT** over tighten, as this may cause distortion or breakage.

Thank you for your purchase
Stores | catalog | www.potterybarnkids.com
USA 1.800.290.8181