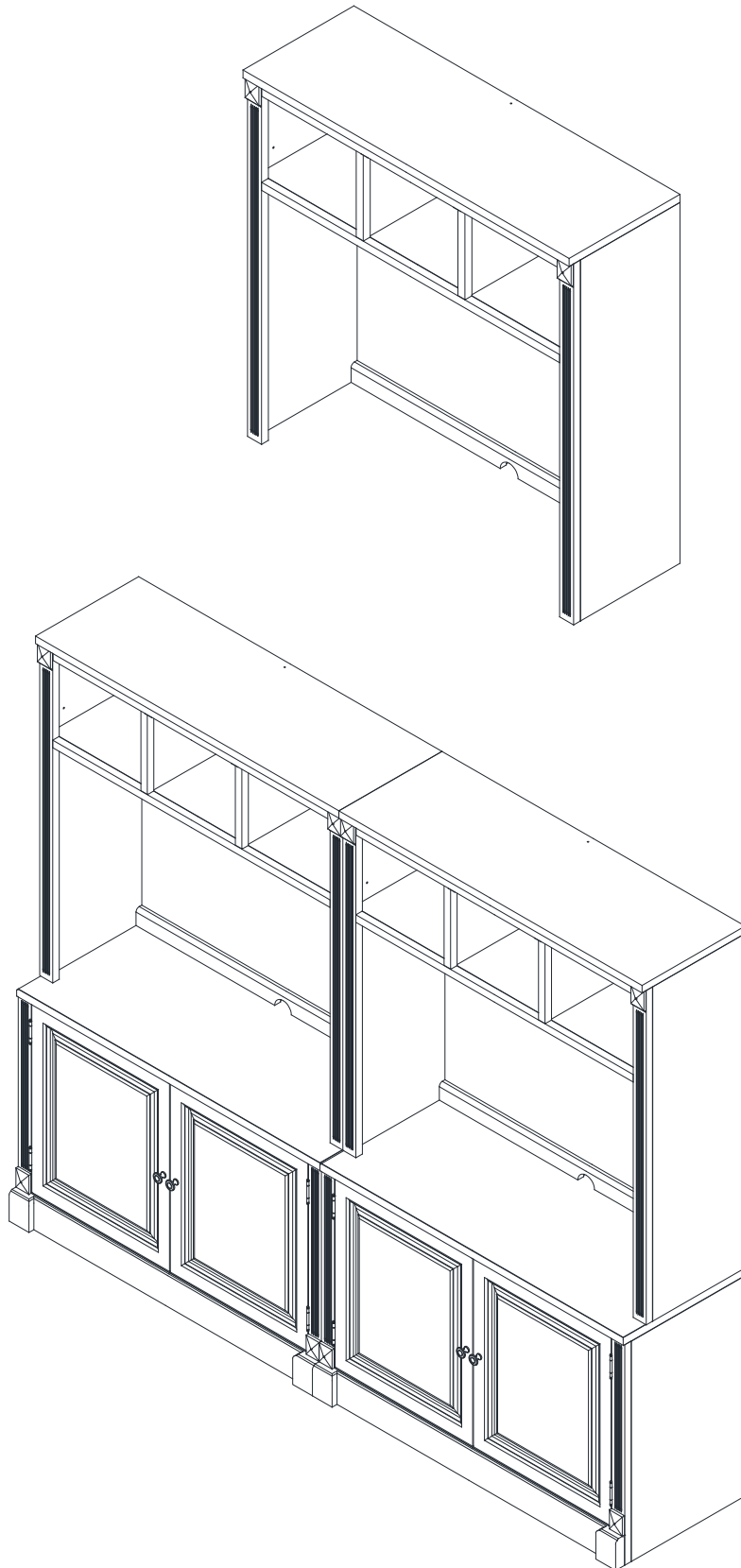


pottery barn kids



GRACE XW BRIDGE

www.potterybarnkids.com

Important Safety Instructions:

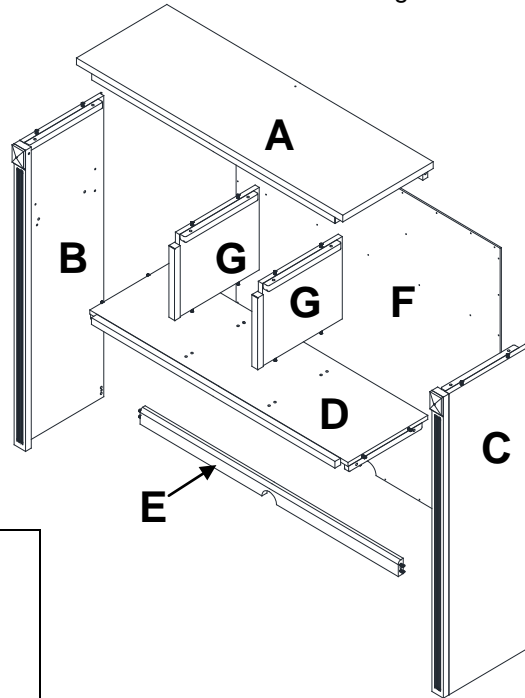
- Please read all instructions carefully before assembling this Bridge.
- For your safety, assembly by two or more adults is strongly recommended.
- Keep these instructions for future use.
- Use only vendor-supplied hardware to assemble this item. Using unauthorized hardware could jeopardize the structural integrity of the item.

Pre-assembly:

- Remove all parts and hardware from the box. Place all items on a carpeted or scratch-free work surface, as this will avoid damaging parts during assembly. The shipping box provides an ideal work surface.
- To avoid accidentally discarding small parts or hardware, do not dispose of any packaging or contents of the shipping carton until assembly is complete.
- Use the parts and hardware lists below to identify and separate each of the pieces included.
- The illustrations provided allow for easier assembly when used in conjunction with the assembly instructions.
- The use of power tools to aid in assembly is not recommended. Power tools can damage the hardware and split the wood.

Parts Included:

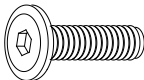


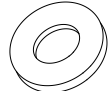
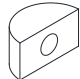


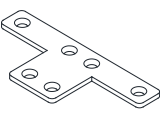

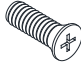

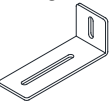





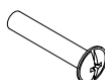
- (A) Top Panel (1x)
- (B) Left Side Panel (1x)
- (C) Right Side Panel (1x)
- (D) Shelf (1x)
- (E) Bottom Rail (1x)
- (F) Back Panel (1x)
- (G) Divider (2x)



Parts Required:

Grace XW Media Base (**Sold separately**)

Hardware Included:

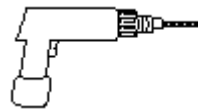
(H) Bolt M6x32mm – 16x 	(I) Bolt M6x50mm – 6x 		
(J) Spring Washer – 22x 	(K) Flat Washer – 16x 	(L) Half Moon Washer – 6x 	(M) Allen Key 4mm – 1x 
(N) FH Screw 6x19mm – 40x 	(O) T-Shape Metal Plate – 2x 	(P) TH Screw-Long M4xL19mm – 6x 	(Q) TH Screw-Short M4xL12mm – 6x 
(R) Pan Head Screw M4xL12mm – 1x 	(S) Metal Bracket 72x27x26x2 – 1x 	(T) ITW Toggle Bolt Ø10x61.5 – 1x 	(U) ITW Toggle ScREW 8#x2-1/8" – 1x 
(V) Drill Bit Φ6x91-1x 	(W) Drill Bit Φ2-1x 	(X) Connecting screw M4xL20mm – 2x 	(Y) Sleeve nut M4x27xΦ10 – 2x 

Tools Required (not included):

Philips Head Screwdriver

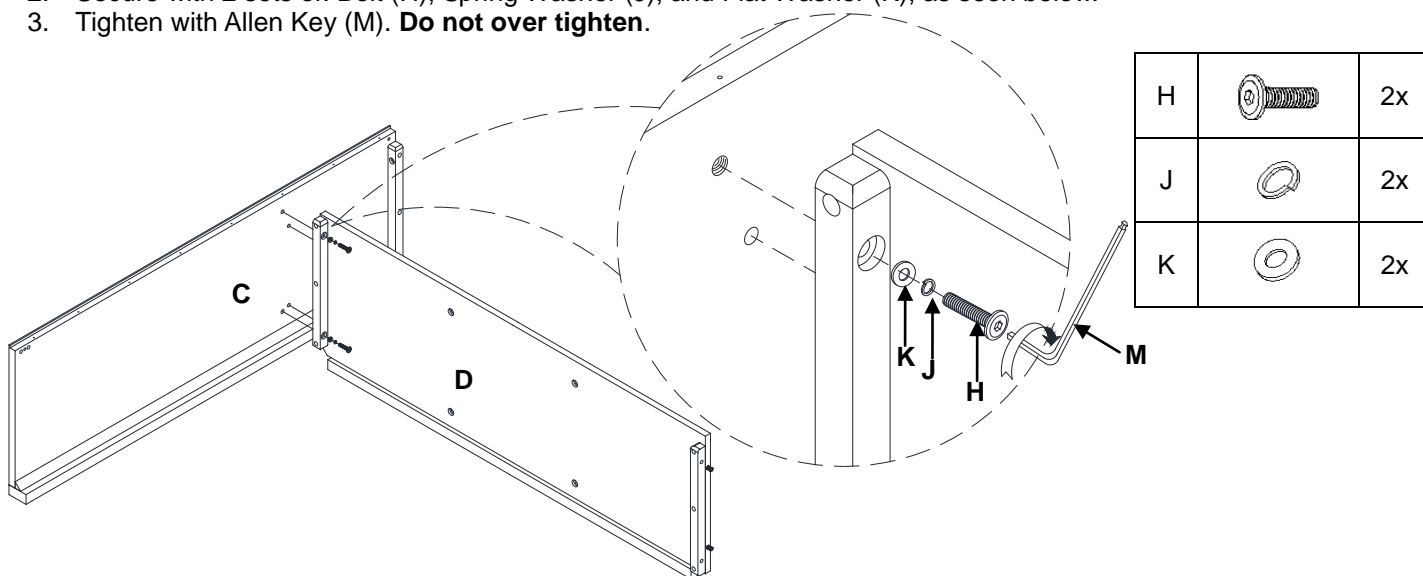


Power Drill



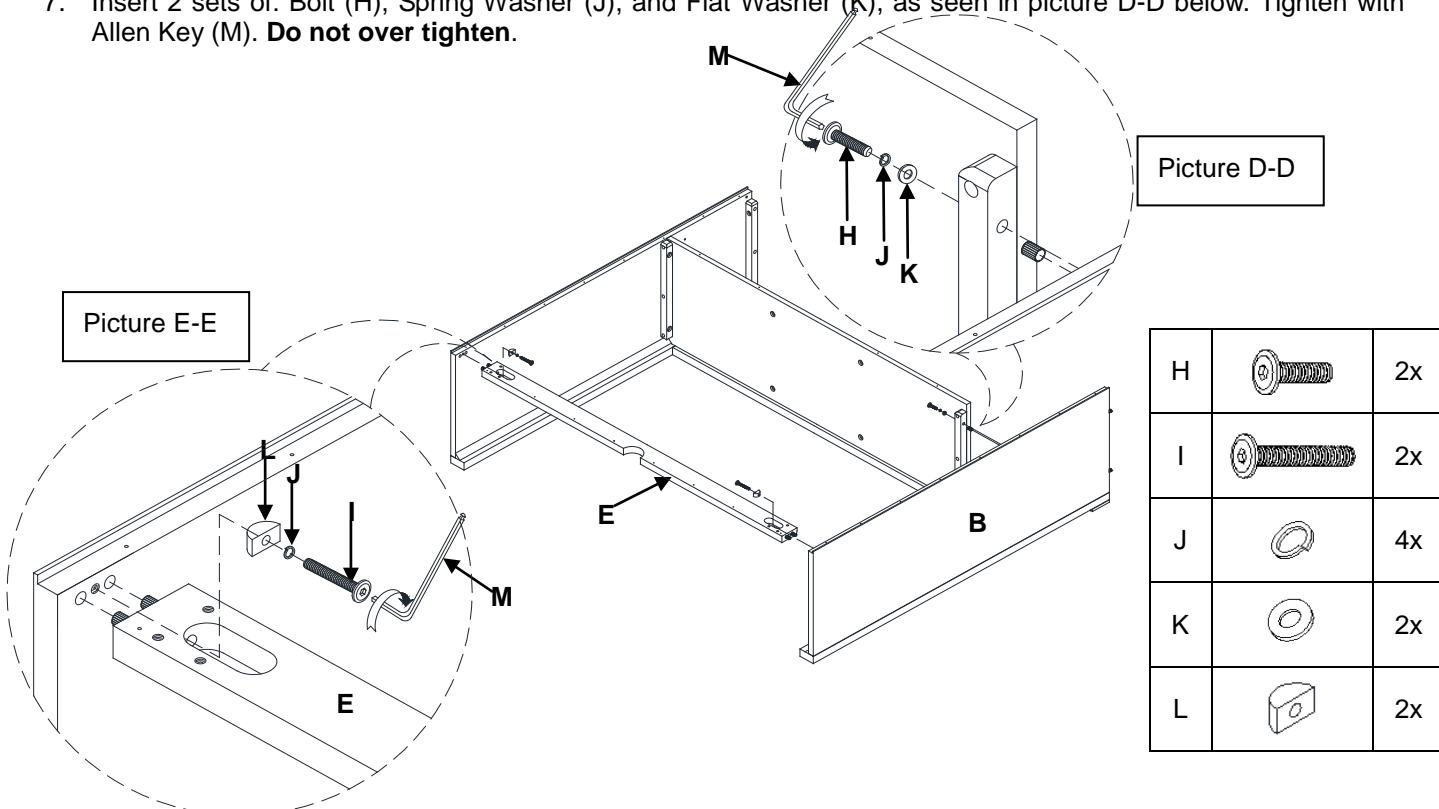
Assembly Instruction Steps:

1. Attach Shelf (D) to the Right Side Panel (C) with the pre-drilled holes and pre-installed dowels aligned.
2. Secure with 2 sets of: Bolt (H), Spring Washer (J), and Flat Washer (K), as seen below.
3. Tighten with Allen Key (M). **Do not over tighten.**



H		2x
J		2x
K		2x

4. Attach Bottom Rail (E) to the Right Side Panel (C), with the pre-drilled holes and pre-installed dowels aligned. Ensure the cut-out on the Bottom Rail (E) faces **outward**, as shown in the illustration below.
5. Attach the Left Side Panel (B) to the Bottom Rail (E) and Shelf (D), with the pre-drilled holes and pre-installed dowels aligned.
6. Insert 2 sets of: Bolt (I), Spring Washer (J), and Half Moon Washer (L), as seen in the picture E-E below. Tighten with Allen Key (M). **Do not over tighten**
7. Insert 2 sets of: Bolt (H), Spring Washer (J), and Flat Washer (K), as seen in picture D-D below. Tighten with Allen Key (M). **Do not over tighten.**

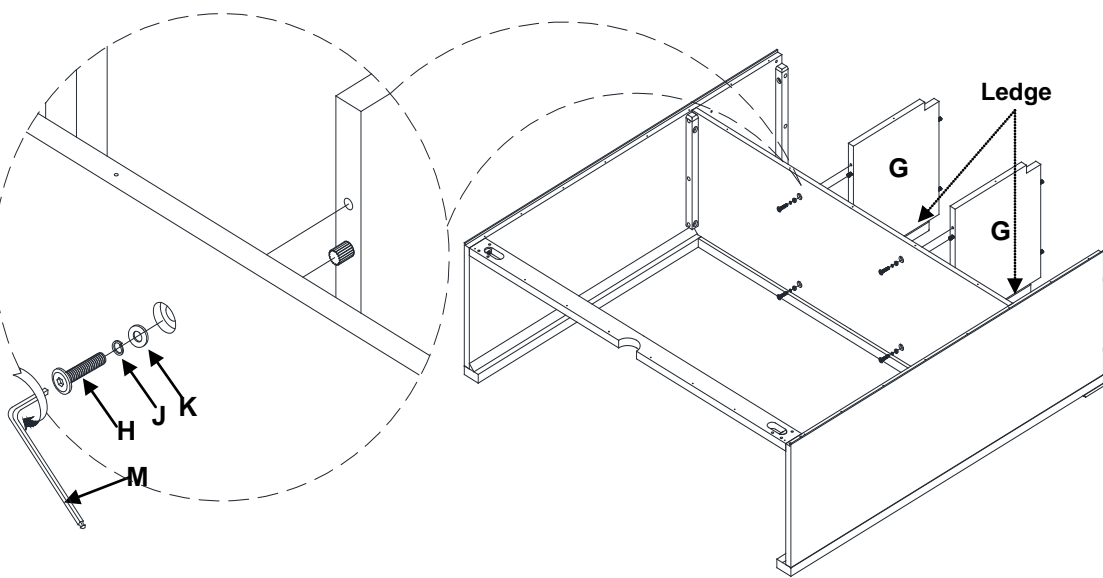





Picture D-D

Picture E-E

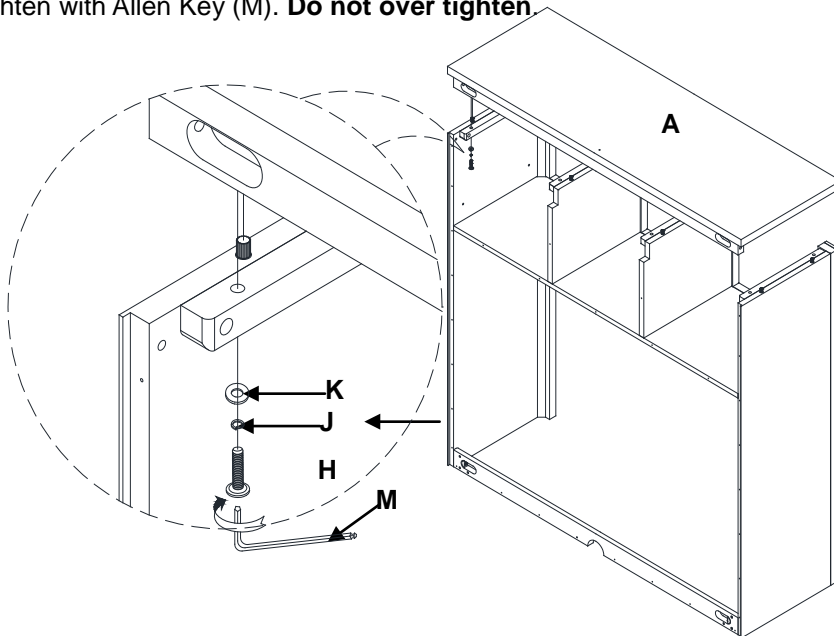
H		2x
I		2x
J		4x
K		2x
L		2x




8. Attach the 2 Dividers (G) to the Top of Shelf (D), with the pre-drilled holes and pre-installed dowels aligned. Ensure the Ledge faces **frontward**, as shown in the illustration below.
9. Insert 4 sets of: Bolt (H), Spring Washer (J), and Flat Washer (K), as seen in the illustration below.
10. Tighten with Allen Key (M). **Do not over tighten.**



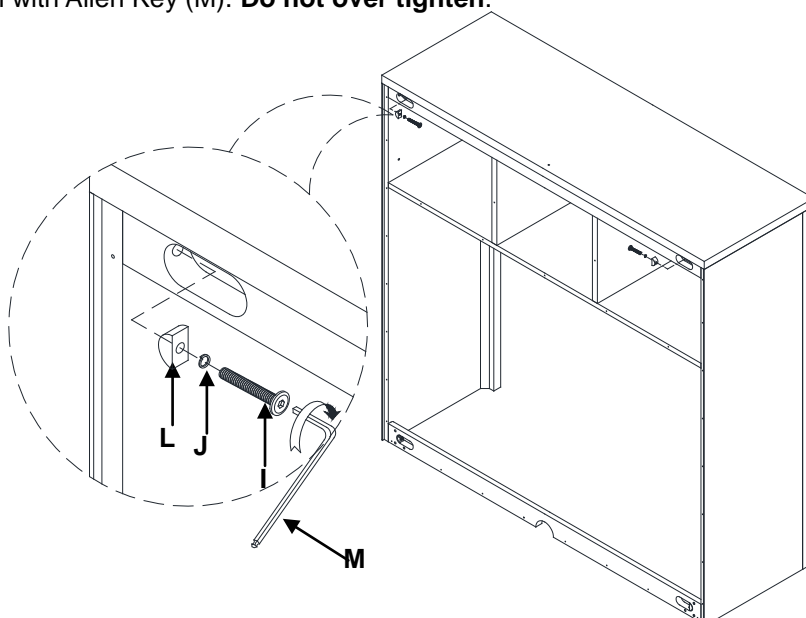
H		4x
J		4x
K		4x




11. With the help of another person, carefully turn the assembled Wall Bridge upright.
12. Attach Top Panel (A) to the pre-assembled piece, with the pre-drilled holes and pre-installed dowels aligned, as seen below.
13. Insert 8 sets of: Bolt (H), Spring Washer (J), and Flat Washer (K), as seen in the illustration below.
14. Tighten with Allen Key (M). **Do not over tighten**



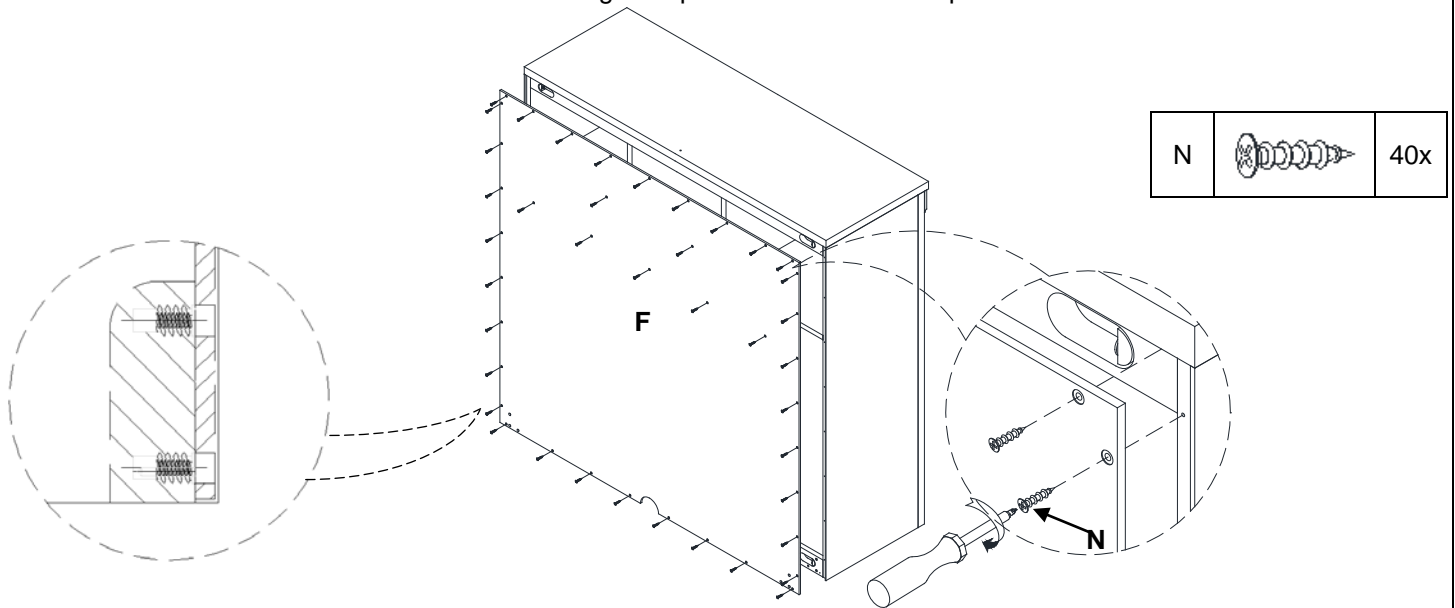
H		8x
J		8x
K		8x

15. Insert 4 sets of: Bolt (I), Spring Washer (J), and Half Moon Washer (L), as seen below.
16. Tighten with Allen Key (M). **Do not over tighten.**



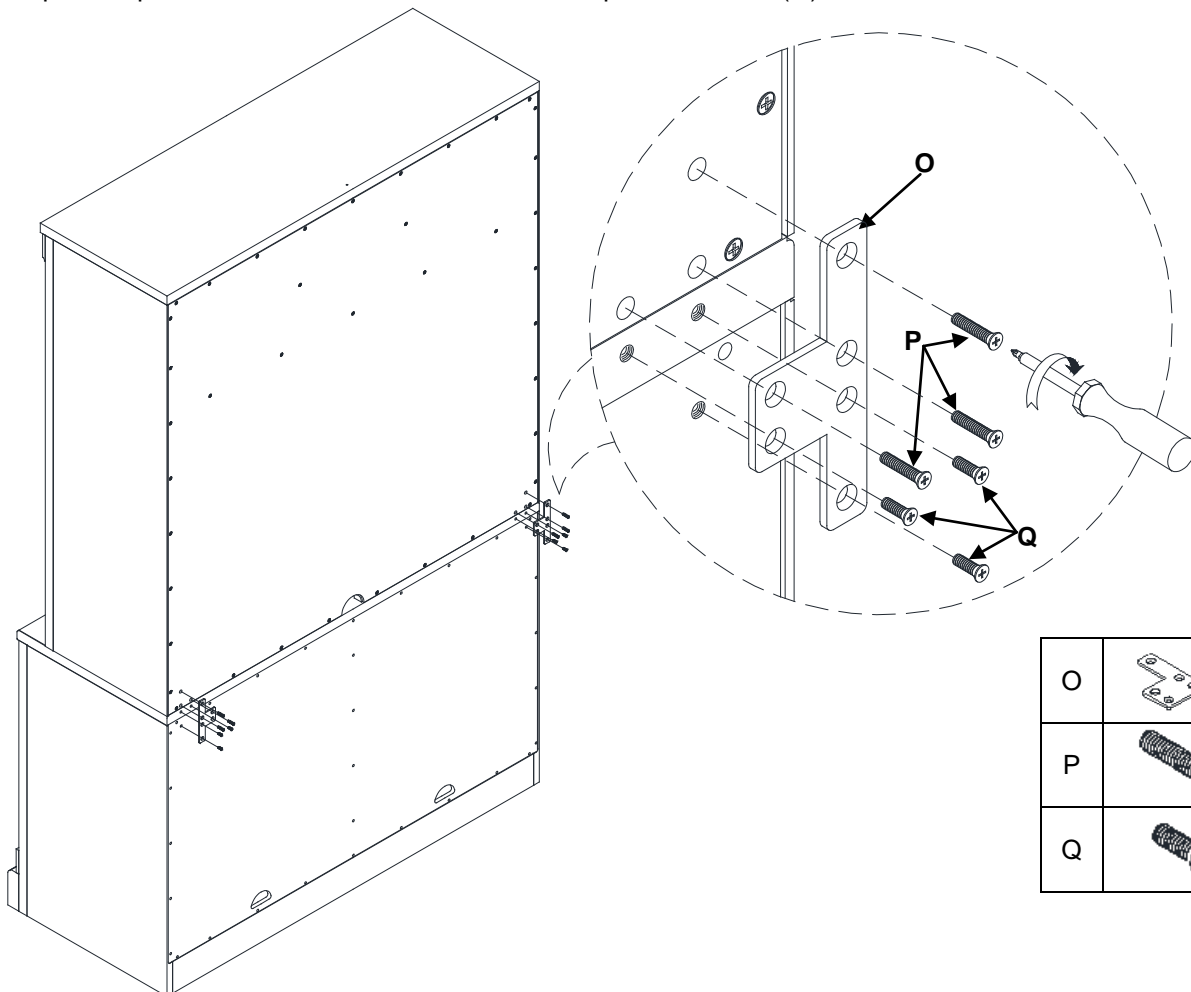
I		4x
J		4x
L		4x

17. Check alignments and tighten all connecting bolts at this time.
18. Attach the Back Panel (F) to the pre-assembled piece and insert 40 FH Screws (N), as shown below. Ensure screws at the bottom corner fixed first to align the pre-drill holes on back panel and insert nut as shown below



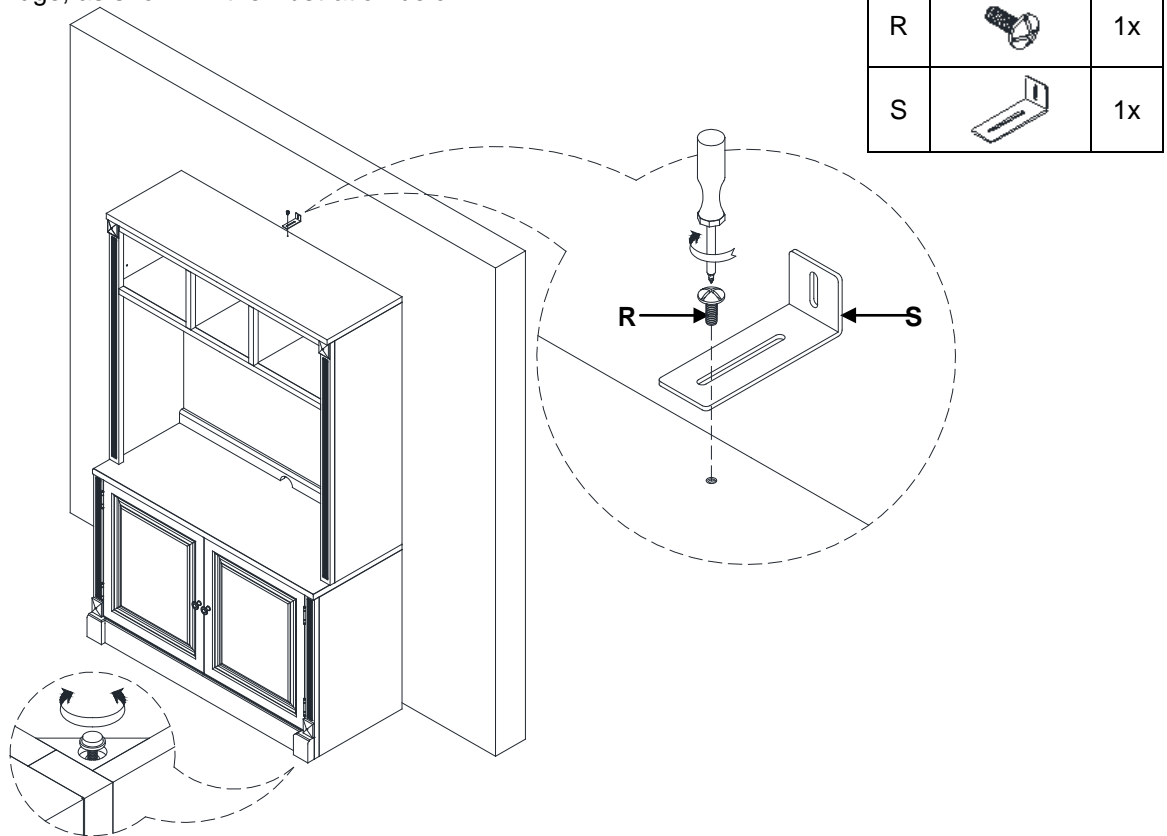
N		40x
---	--	-----

19. Carefully place the Bridge on the back rear of the Wide Media Base (**SOLD SEPARATELY**). Make sure the Bridge does not scratch or damage the surface of the Wide Media Base.
20. Attach 1 T-Shape Metal Plate (O), over the threaded inserts on the back of the Bridge and Wide Media Base, as seen below.
21. Insert 3 TH Screws – Long (P) to secure the Metal Plate to the Bridge, as shown below.
22. Insert 3 TH Screws – Short (Q) to secure the Metal Plate to the Media Base, as shown below
23. Repeat steps #21- #23 to attach the second T-Shape Metal Plate (O).



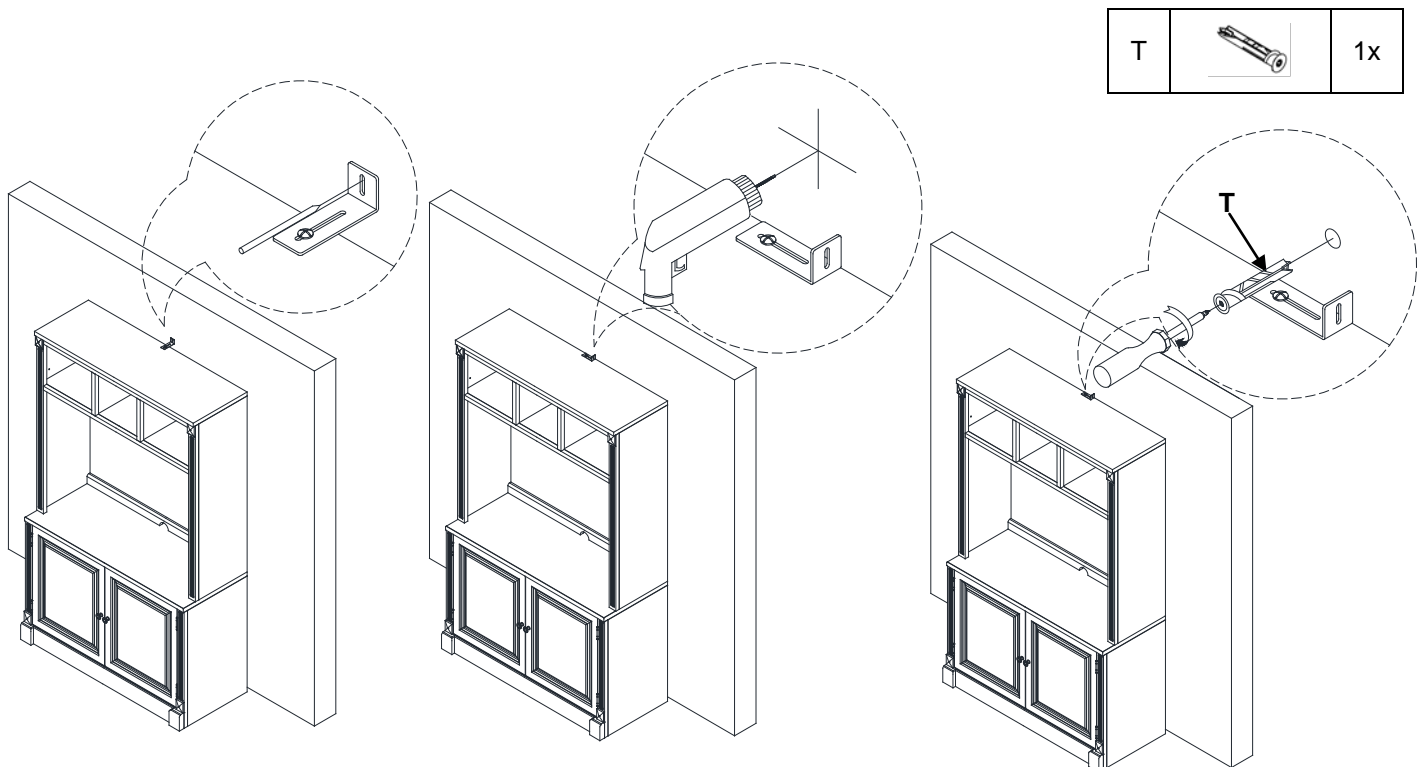
O		2x
P		6x
Q		6x

24. With the help of another person, adjust the levelers (located on the bottom of the base) to keep the entire set level before going onto the next step.
25. To secure the Bridge / Wide Media Base to the wall, first attach Metal Bracket (S) and PH Screw (R) to the Top Panel of the Bridge, as shown in the illustration below.

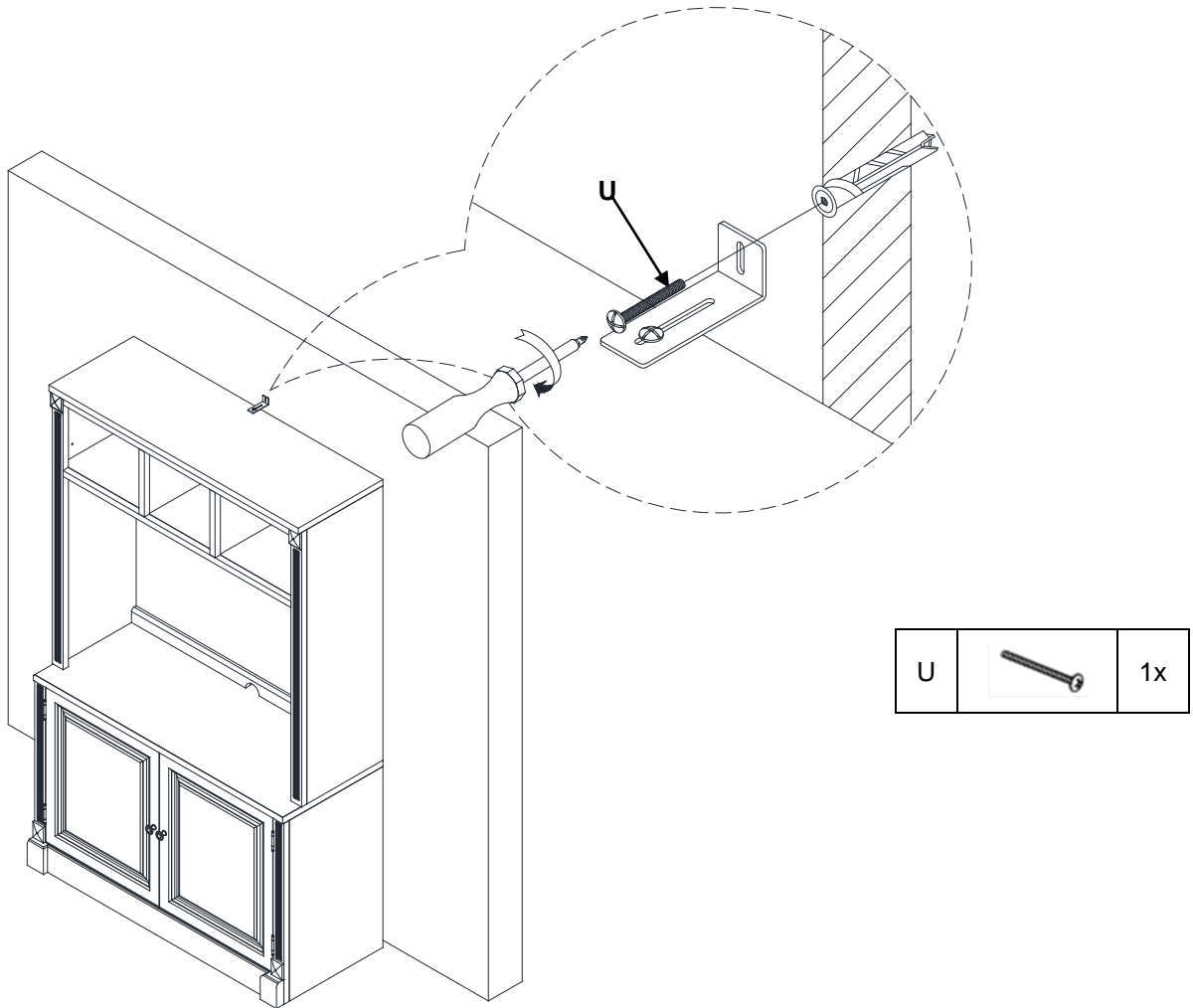


26. Mark a drill point through the hole of Metal Bracket (S) onto the wall, as shown in the illustrations below.
27. Turn Metal Bracket (S) to the side and drill a hole into the wall at the marked point.
28. Insert the ITW Toggle Bolt (T) through the drilled hole using a Phillips Head Screwdriver (not included).

Note: ITW Toggle Bolt (T) only can be used on a sheetrock wall. Please contact your local hardware store for mounting hardware and instructions when mounting hutch into any surface other than sheetrock.



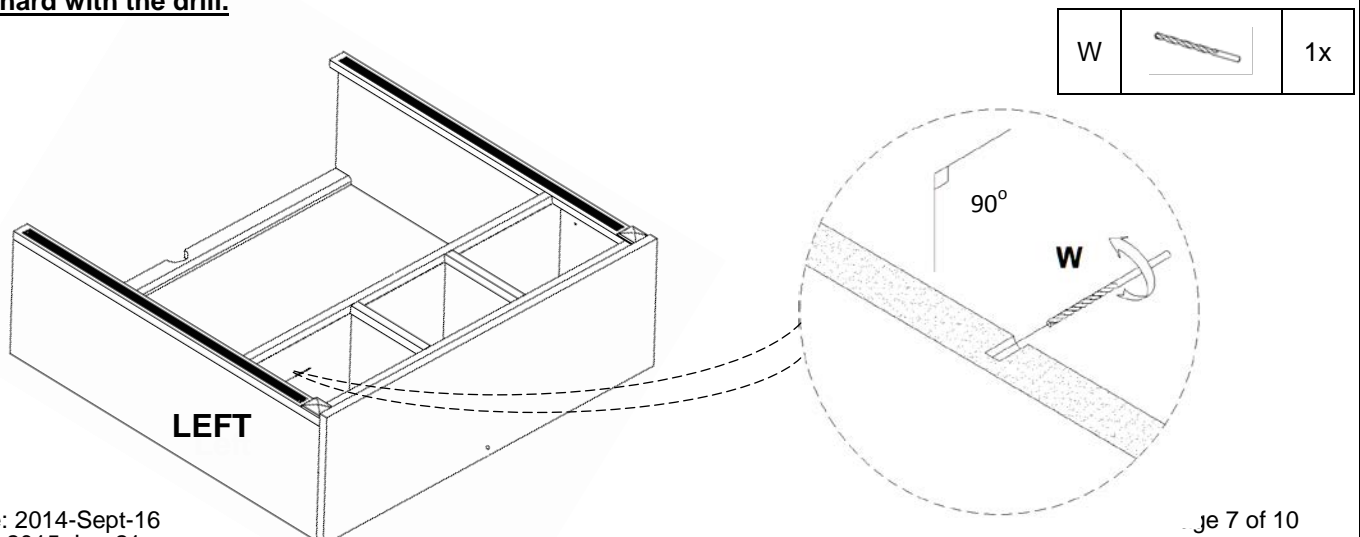
29. Turn the Metal Bracket (S) back into place over the ITW Toggle Bolt (T).
30. Insert the ITW Toggle Screw (U) through the hole of Metal Bracket (S) and into the ITW Toggle Bolt (T) on the wall, as shown in the illustration below.
31. Tighten the ITW Toggle Screw (U) with a Phillips Head Screwdriver (not included).



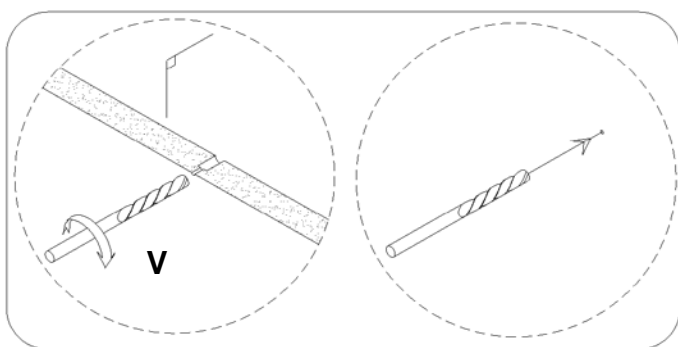
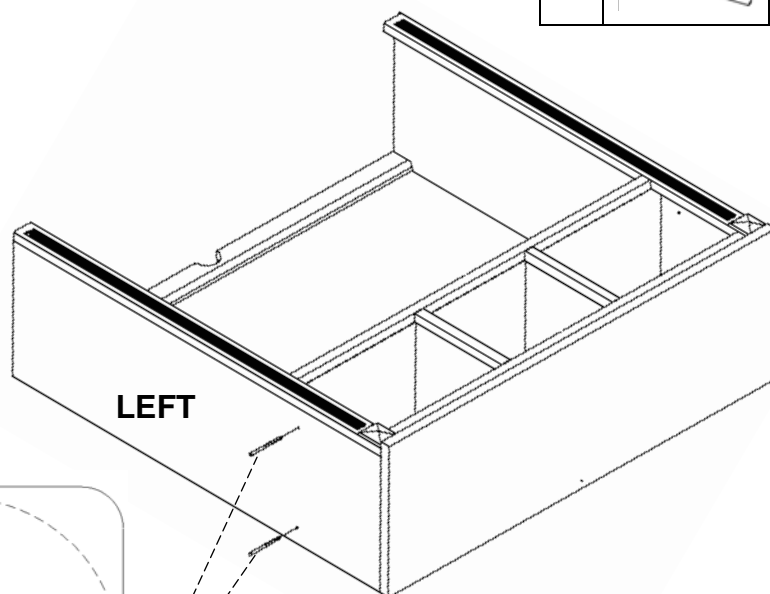
Multiple Media Bases and Wall Hutch can be combined together by following the assembly instructions below.

32. Please complete the drill holes into the Side Panels **before** placing the Bridge on top of the Wide Media Base.
33. Place the **Left** Bridge down onto the floor, as shown below
34. Attach the Small Drill Bit (W) to the Power Drill (Not included).
35. From the **inside** of the Bridge, drill through the pre-drilled holes of the Side Panel in a 90-degree angle at the locations seen below.

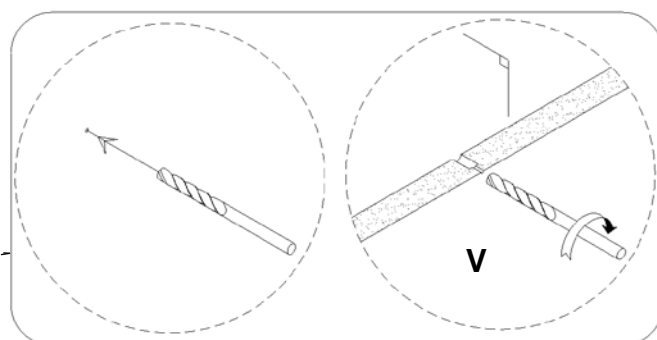
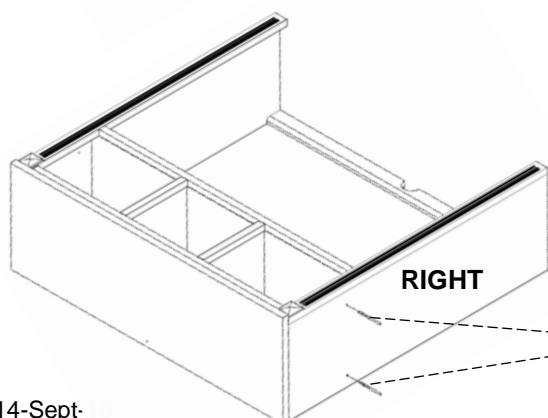
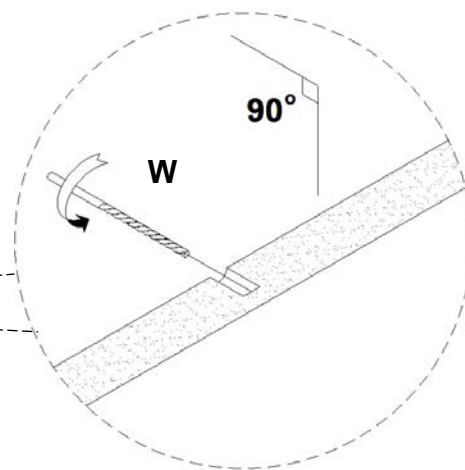
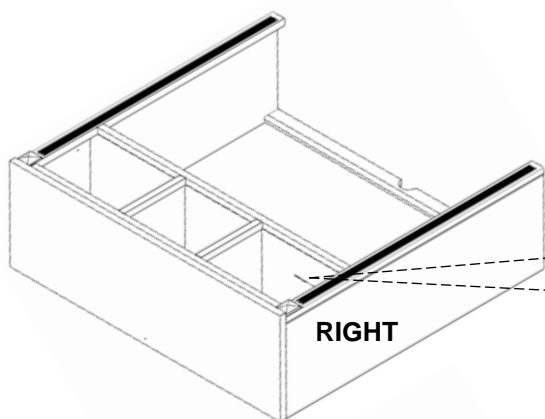
Please make sure to drill these pre-drilled holes gently, to prevent damage to the Side Panel. Do not push too hard with the drill.



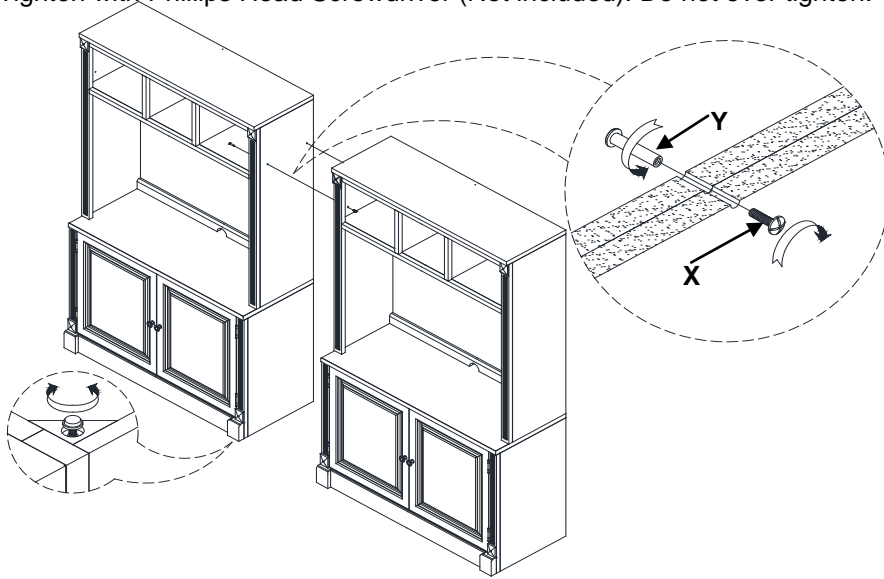
36. Attach the Large Drill Bit (V) to the Power Drill (Not included).
 37. Drill through the pre-drilled holes created from STEP #35 in a 90-degree angle from the **outside** of Side Panel, as shown in the illustration below.



38. Follow STEPS #32 - #37 to complete the drill holes on the Side Panel of the **Right** Bridge, as shown in the illustration below.

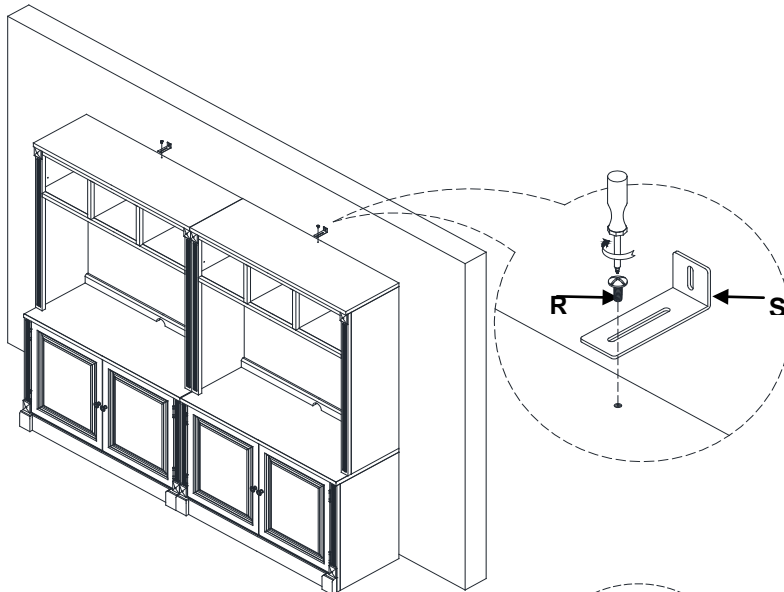


- 39. Follow STEPS #19 - #23 to attach the Bridge to the Wide Media Base.
- 40. Adjust the levelers on the Media Bases as needed. Place the Bridges/Wide Media Bases in the desired location.
- 41. Align the Bridges / Wide Media Bases together, as seen below.
- 42. Secure with 2 sets of: Connecting Screw (X) and Sleeve Nut (Y), as seen below.
- 43. Do not tighten the connecting Screws until all Connecting Screws (X) & Sleeve Nuts (Y) are in place.
- 44. Tighten with Phillips Head Screwdriver (Not included). Do not over tighten.

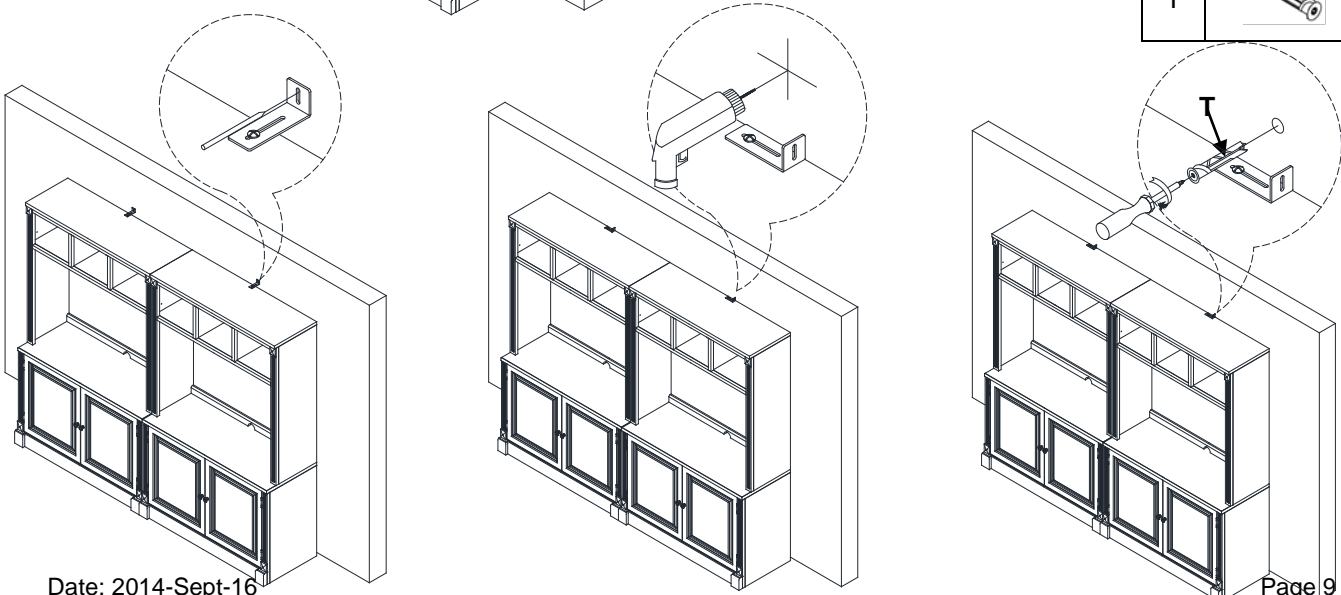


X		2x
Y		2x

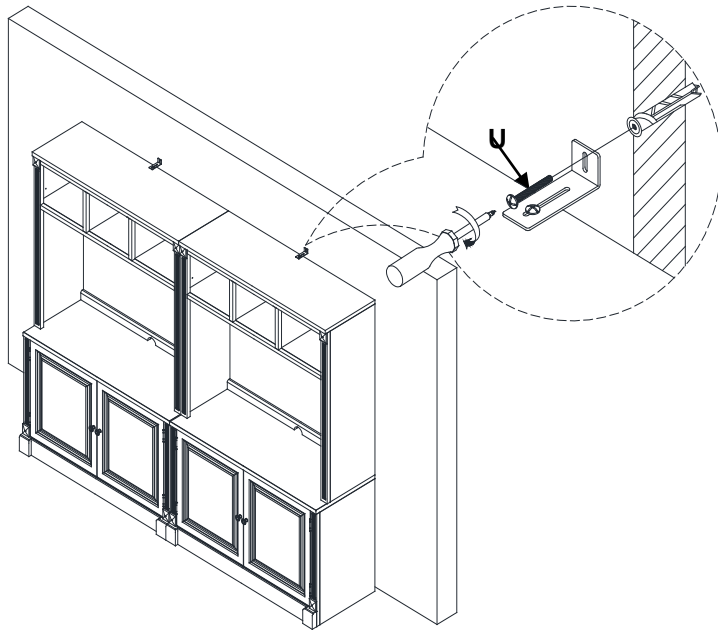
- 45. Please follow Steps # 25- #31 to secure the Bridges/Wide Media Bases to the wall, as shown below.



R		2x
S		2x

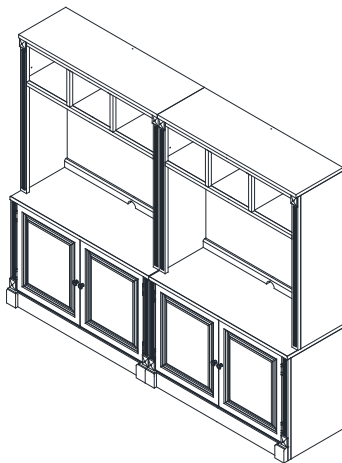


T		2x
---	--	----

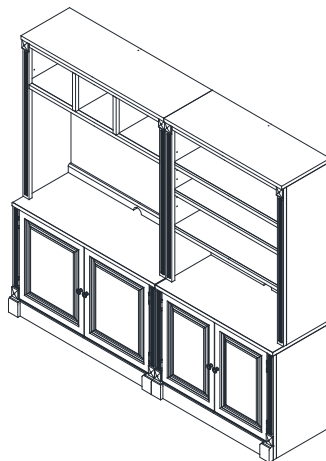


U		2x
---	---	----

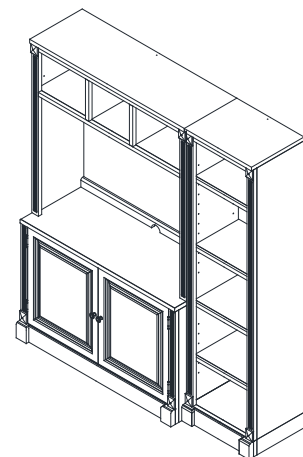
46. This Bridge can be combined with another Bridge, the Hutch/Media Base, or Tall Bookcase, as seen in the illustration below.



Option 1



Option 2



Option 3

Care Instructions:

- Dust often using a clean, soft, dry, and lint-free cloth.
- Blot spills immediately and wipe with a clean, damp cloth.
- We do not recommend the use of chemical cleansers, abrasives, or furniture polish on our lacquered finish.
- Hardware may loosen over time. Periodically check to make sure all connections are tight. Re-tighten if necessary.

Thank you for your purchase
 Stores | catalog | www.potterybarnkids.com
 USA 1.800.290.8181