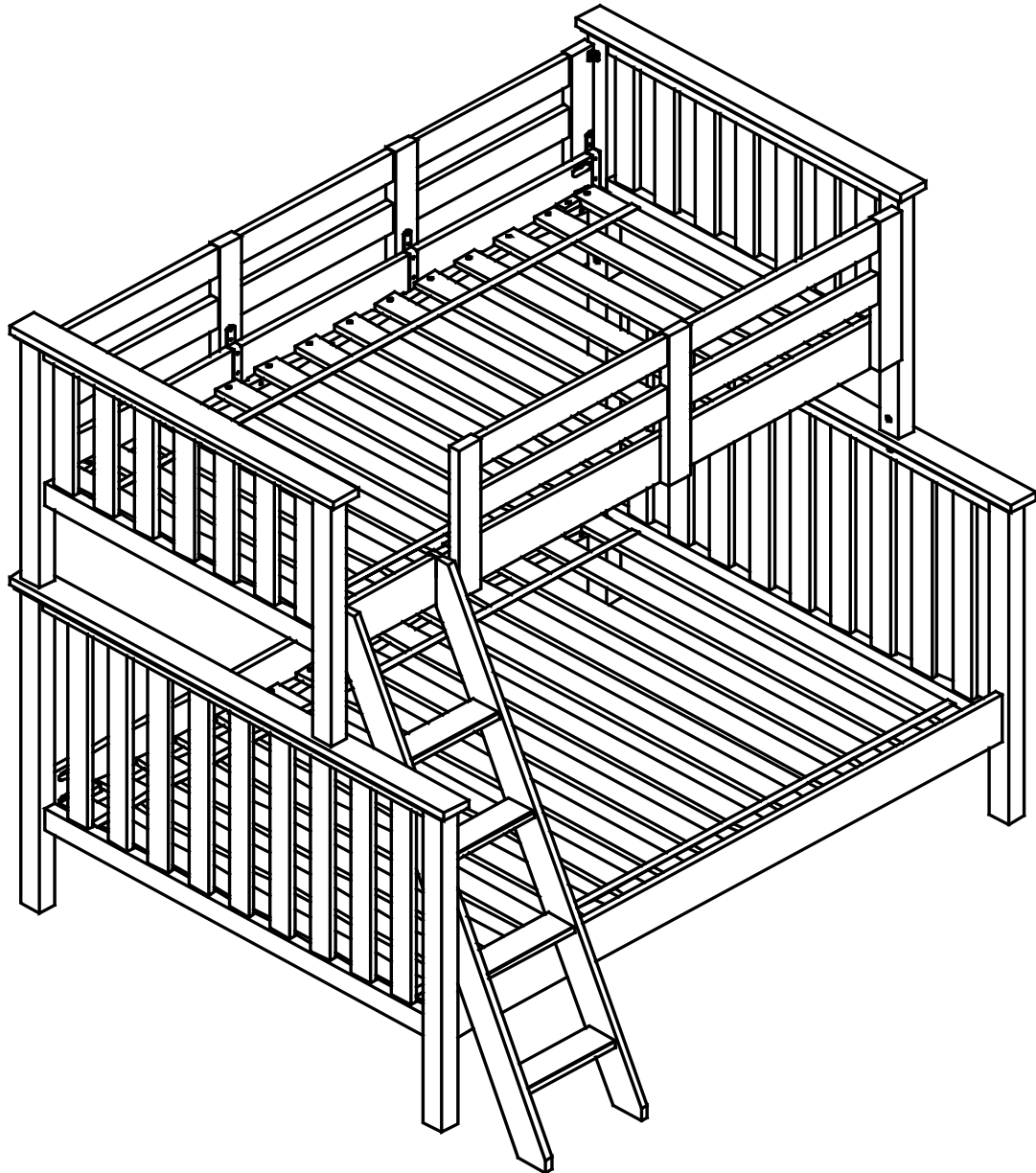


# pottery barn kids



**ELLIOTT BUNK BED TWIN OVER FULL**

[www.potterybarnkids.com](http://www.potterybarnkids.com)



**WARNING:** Failure to follow these warnings and assembly instructions could result in serious injury or death. To help prevent serious or fatal injuries from entrapment or falls:

- Read all instructions before assembling bunk bed.
  - Before each usage or assembly, inspect bunk bed for damaged hardware, loose joints, missing parts or sharp edges. DO NOT use bunk bed if any parts are missing or broken.
  - DO NOT use substitute parts. Contact pottery barn kids for replacement parts and instructional literature if needed.
  - Follow the information on the warnings appearing on the upper bunk end structure and on the carton. DO NOT REMOVE WARNING LABEL FROM BED.
  - Always use the recommended size mattress or mattress support, or both, to help prevent the likelihood of entrapment or falls.
  - Ensure thickness of mattress on upper bunk does not exceed 9 inches and the surface of mattress must be at least 5 inches (127 mm) below the upper edge of guardrails.
  - Only use the 9" thickness mattress on the lower bunk.
  - Ensure both upper and lower bunk are assembled to the highest position when using the product as a bunk bed.
  - Use only mattress which is 74"-75" long and 37.5"-38.5" wide on upper bunk, and mattress which is 74"-75" long and 52.5"-53.5" wide on lower bunk.
  - Do not allow children under 6 years of age to use the upper bunk.
  - Periodically check and ensure that the guardrail, ladder, and other components are in their proper position, free from damage, and that all connectors are tight.
  - Do not allow horseplay on or under the bed and prohibit jumping on the bed.
  - Prohibit more than one person on the upper bunk.
  - Always use the ladder for entering and leaving the upper bunk.
  - Use of a night light may provide added safety precaution for a child using the upper bunk.
  - Always use guardrails on both long sides of the upper bunk. If the bunk bed will be placed next to the wall, the guardrail that runs the full length of the bed should be placed against the wall to prevent entrapment between the bed and wall.
  - The use of water or sleep flotation mattresses is prohibited.
  - If refinishing, use a non-toxic finish specified for children's products.
- STRANGULATION HAZARD** - Never attach or hang items to any part of the bunk bed that are not designed for use with the bed; for example, but not limited to, hooks, belts and jump ropes.
- This bunk bed meets the requirements of ASTM F1427-13
- KEEP THESE INSTRUCTIONS FOR FUTURE REFERENCE.

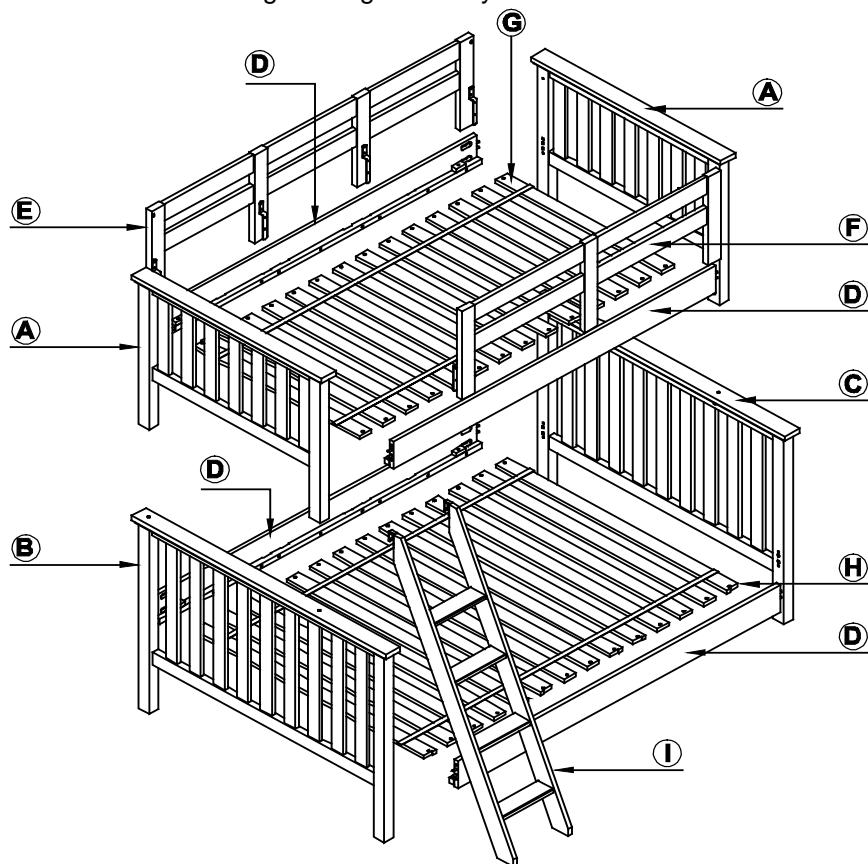
04-000184-1

**Important Safety Instructions:**

- Please read all instructions carefully before assembling.
- For your safety, assembly by two or more adults is strongly recommended.
- Keep instructions for future use.
- Use only vendor supplied hardware to assemble. Using unauthorized hardware could jeopardize the structural integrity of the item.

**Pre-assembly:**

- Remove all parts and hardware from the box and lay out on a clear carpeted or scratch-free work surface, as this will avoid damaging parts during assembly. The shipping box provides an ideal work surface.
- Do not dispose of any packaging or contents of the shipping carton until assembly is completed to avoid accidentally discarding small parts or hardware.
- Use the parts and hardware lists below to identify and separate each of the pieces included.
- The illustrations provided allow for easier assembly when used in conjunction with the assembly instructions.
- The use of power tools to aid in assembly is not recommended. Power tools can damage hardware and split wood.
- Note: Do not fully tighten all the bolts until all parts are in place. Failure to follow these instructions may cause the bolts to misalign during assembly.



PARTS INCLUDED:	
(A). Short End Board	2x
(B). Tall End Board Left	1x
(C). Tall End Board Right	1x
(D). Side Rail	4x
(E). Long Guardrail	1x
(F). Short Guardrail	1x
(G). Twin Bed Slats	1x
(H). Full Bed Slats	1x
(I). Ladder	1x

**Tools Required:**


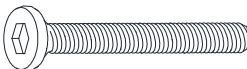

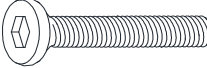



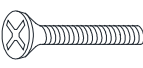
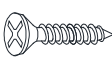



Philips Screwdriver (Not included)



Flat Head Screwdriver (Not included)

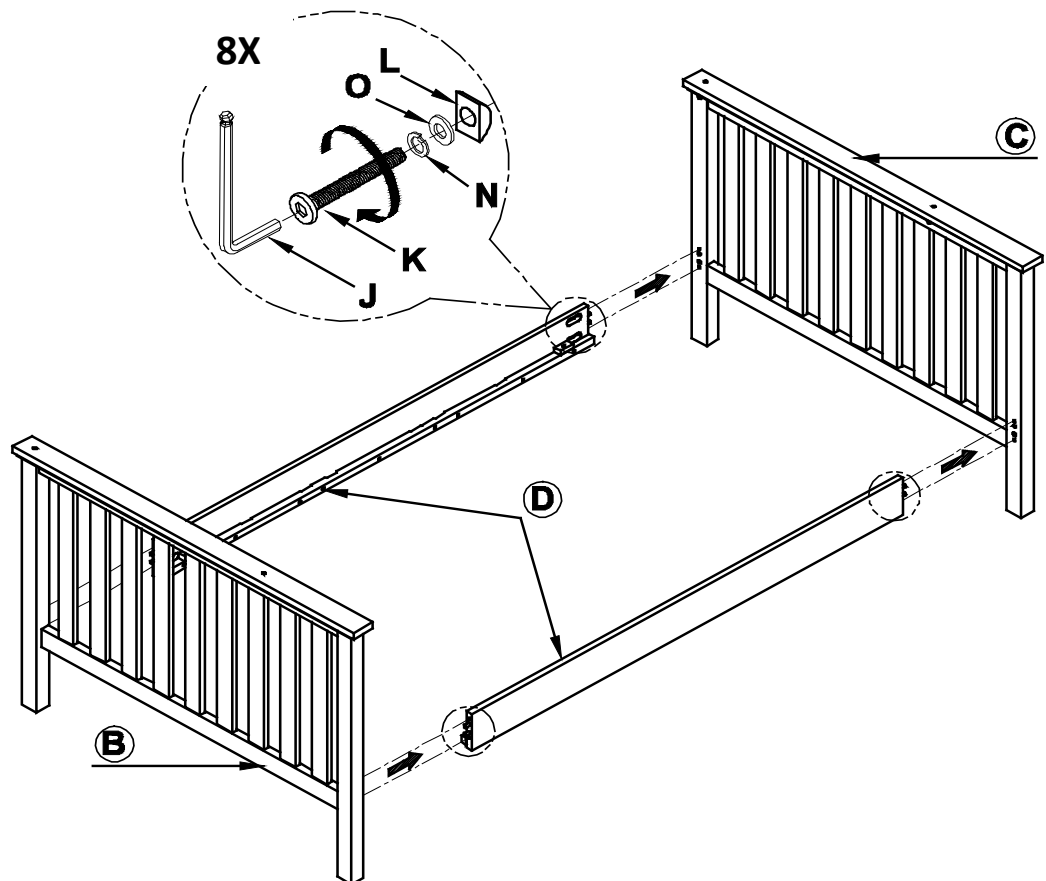
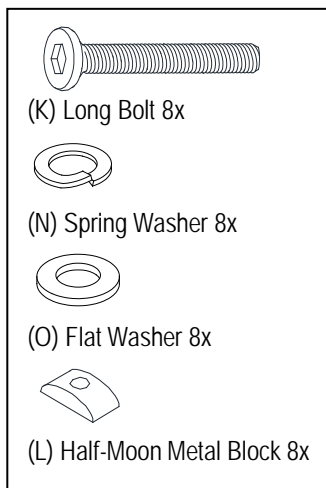


**HARDWARE INCLUDED:**

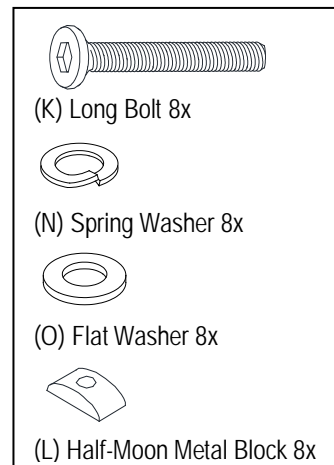
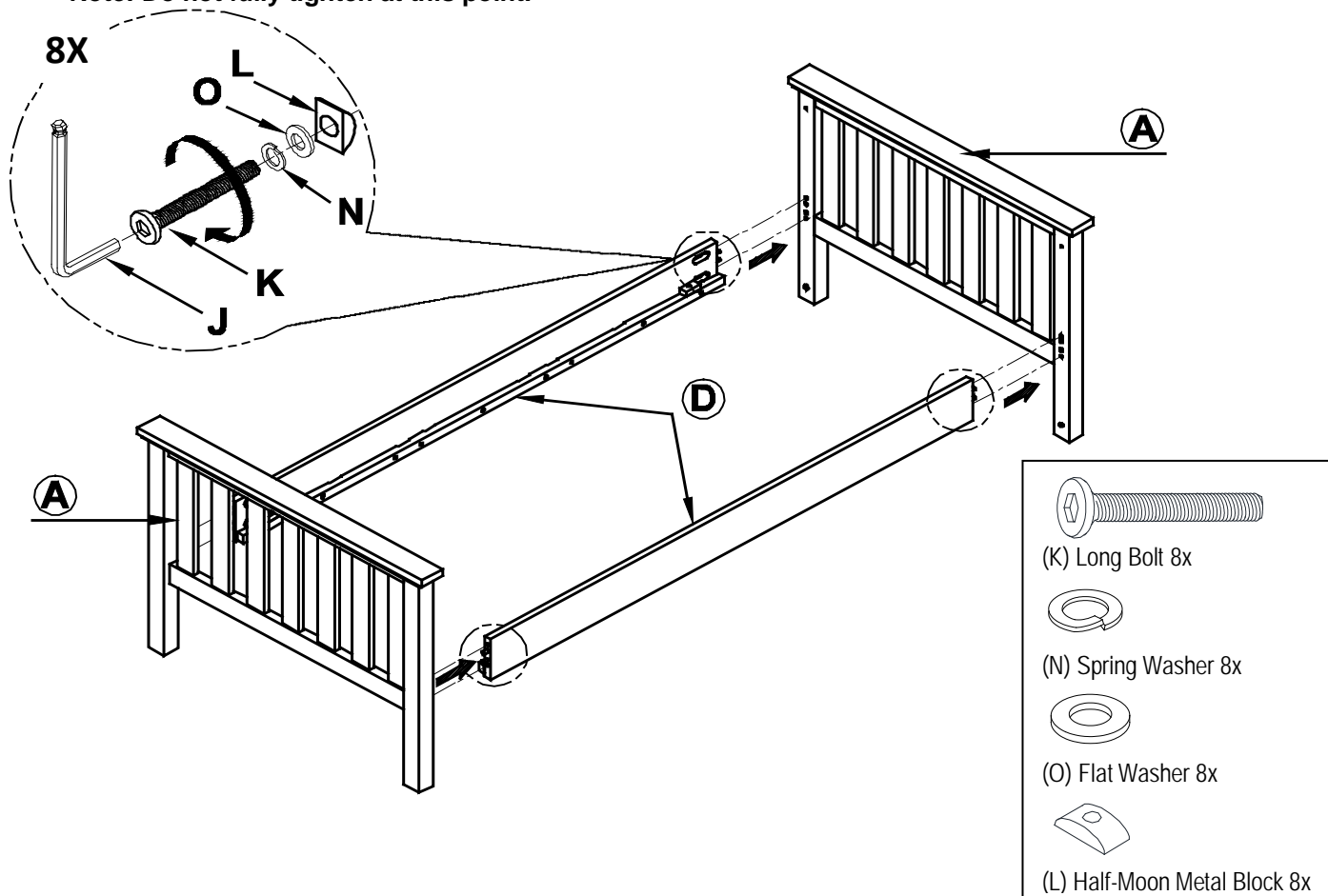
 (J) Allen Key – 1x	 (K) Long Bolt M6x55mm – 16x	 (L) Half-Moon Metal Block – 16x
 (M) Short Bolt M8x28mm – 8x	 (N) Spring Washer M6 – 16x	 (O). Flat Washer M6 – 16x
 (P) Corner Bracket – 3x	 (Q) Machine Screw 3/16"x15mm – 6x	 (R). Short Screw 4x19mm – 23x
 (S) Long Screw 4x30mm – 56x	 (T) Long Metal Dowel Ø10 x 114mm – 4x	 (U). Short Metal Dowel Ø10 x 57mm – 4x

**Assembly Instruction Steps:**

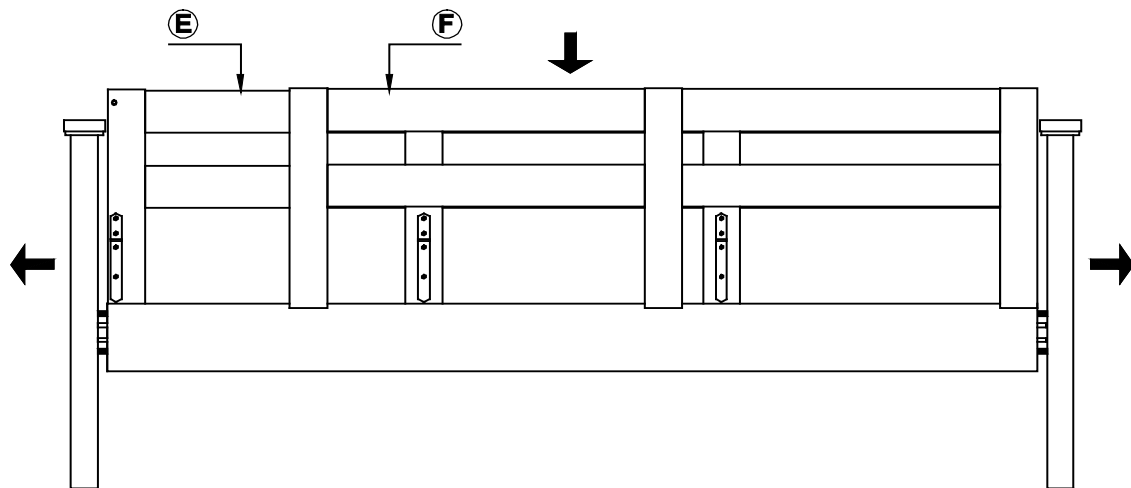
1. Attach (D) to (B) and (C) by aligning pre-drilled holes with wooden dowels as shown below.



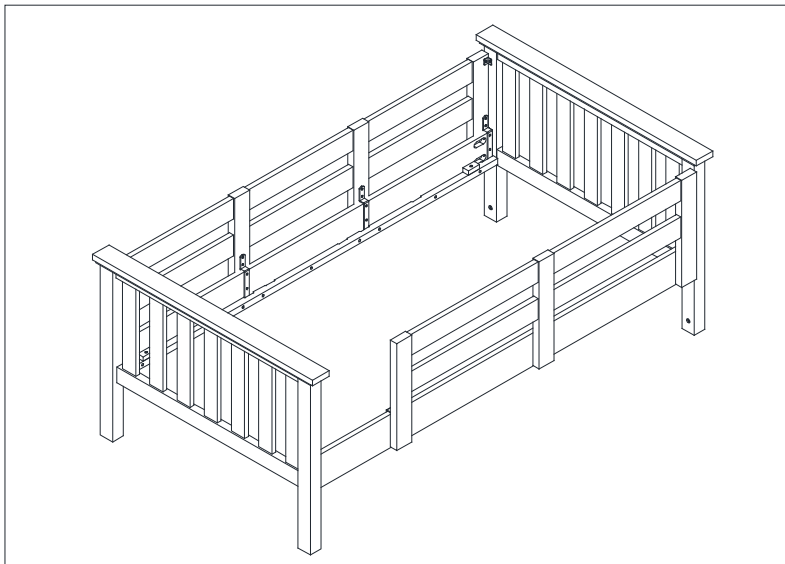
2. Attach (A) to (D) by aligning pre-drilled holes with wooden dowels as shown below.  
**\*Note: Do not fully tighten at this point.**



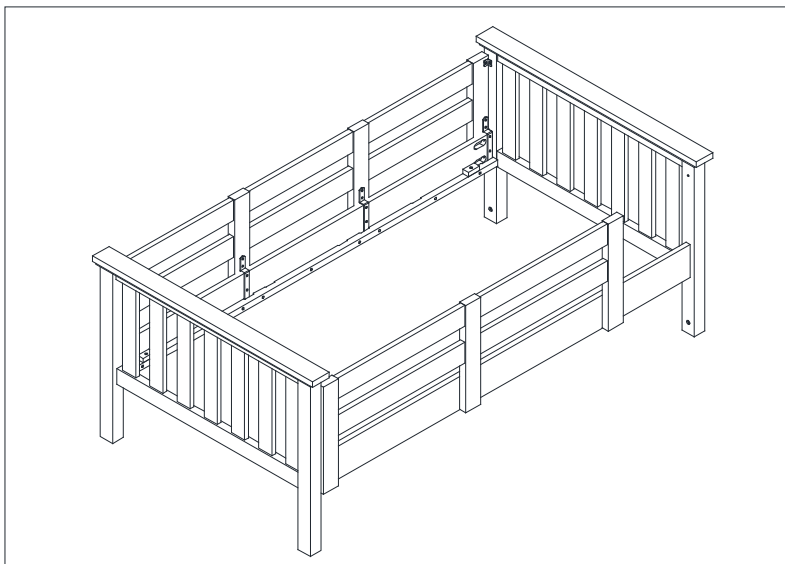
3. Insert (E) and (F) to the upper twin bed by spreading ends from side rail as shown.  
**\*Note: Metal brackets face inside.**



4. Determine the desired location of the ladder opening (see options below). Then install the Short Guardrail (E) on the front side rail with brackets facing inward and the guardrail slats out. Tighten the bolts (K) (installed in step 2) through the side rails into the end boards after the guardrails have been placed. The short guardrail should be in contact with the end opposite the entry opening.

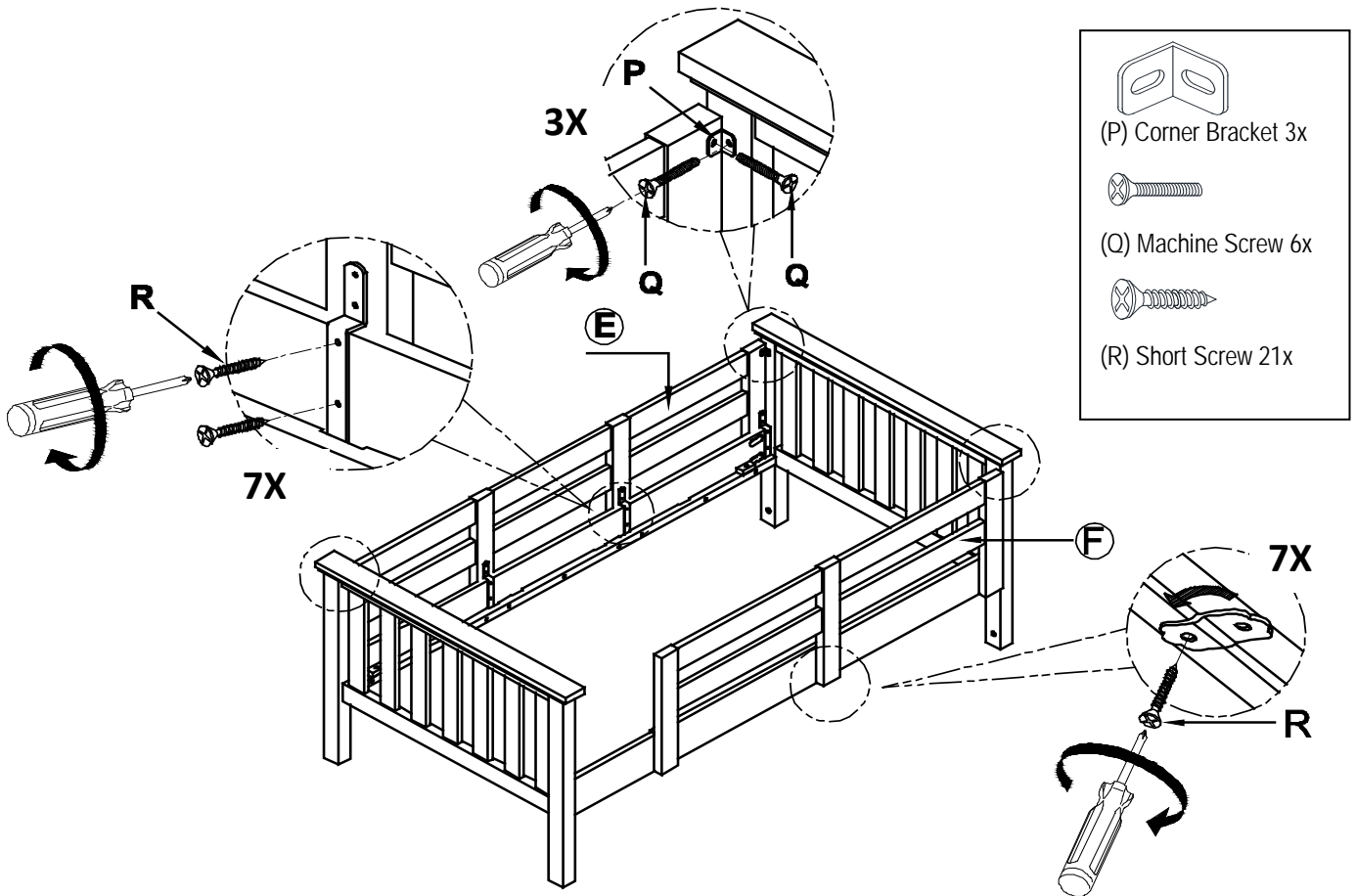


**Option 1**

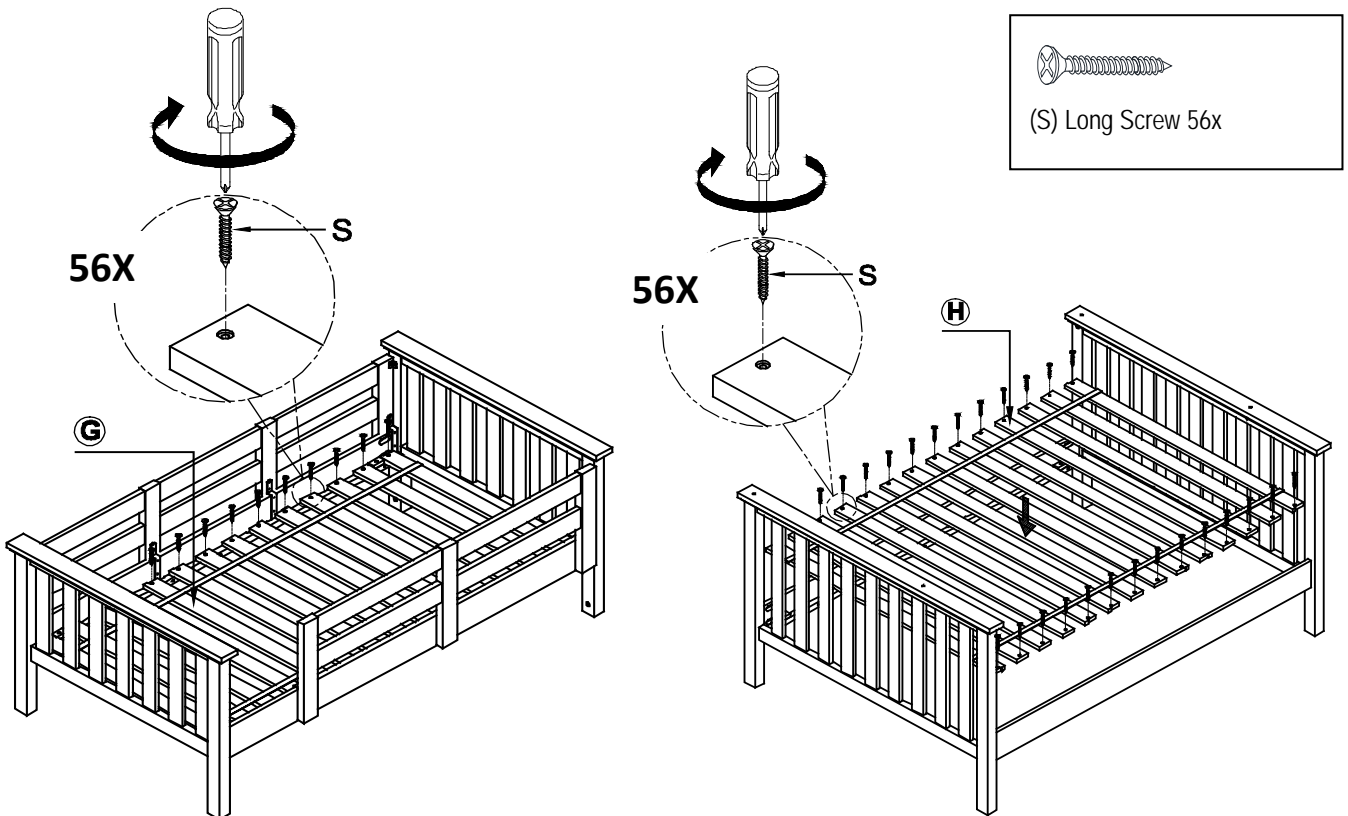


**Option 2**

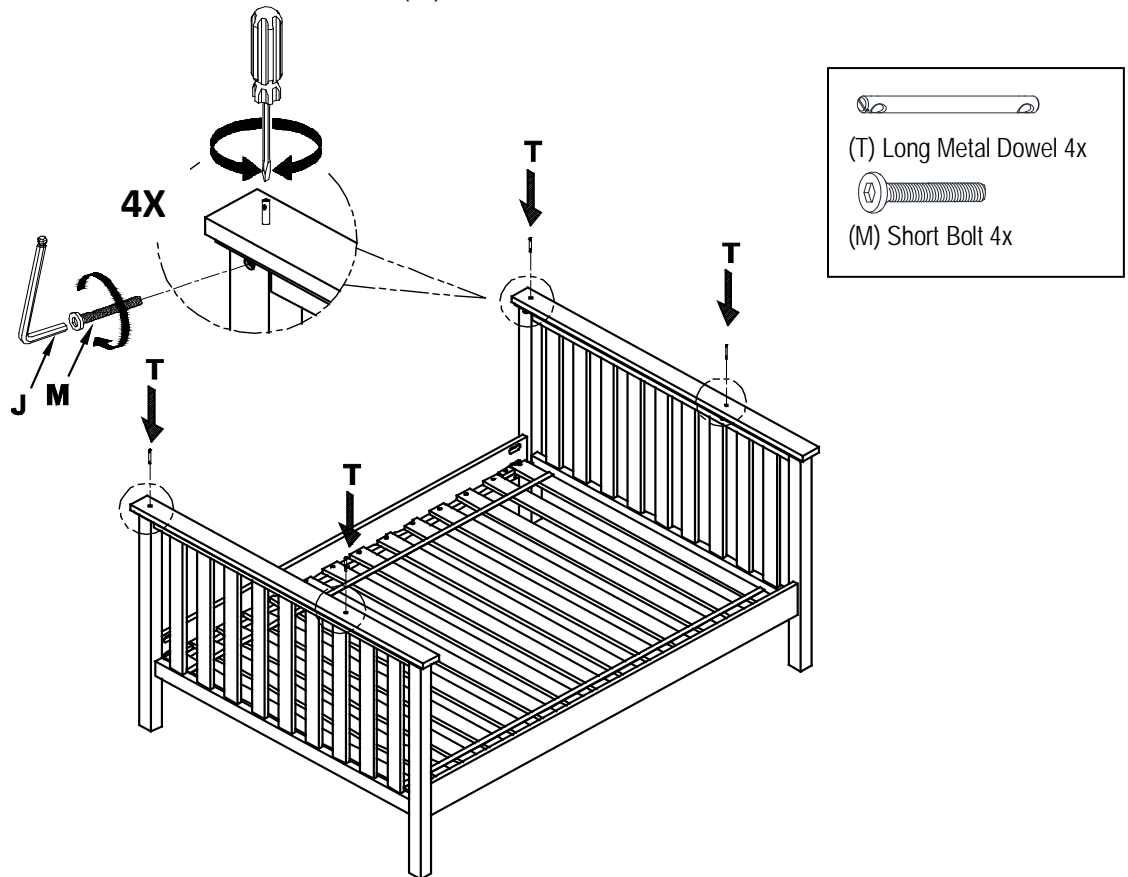
5. Insert (R) to secure brackets on (E) and (F) to side rails inside the bed platform. Turn brackets on bottom of Guardrails (E&F) and insert (R) to secure to bottom of side rails as shown below.
6. Attach (P) to upper corners and insert (Q) to secure.  
**Tip:** For the Short Guardrail (F), make sure there is no gap in between the guardrail end and the bed end structure (A) opposite the desired entry point before you start screwing the parts. Do not over tighten.



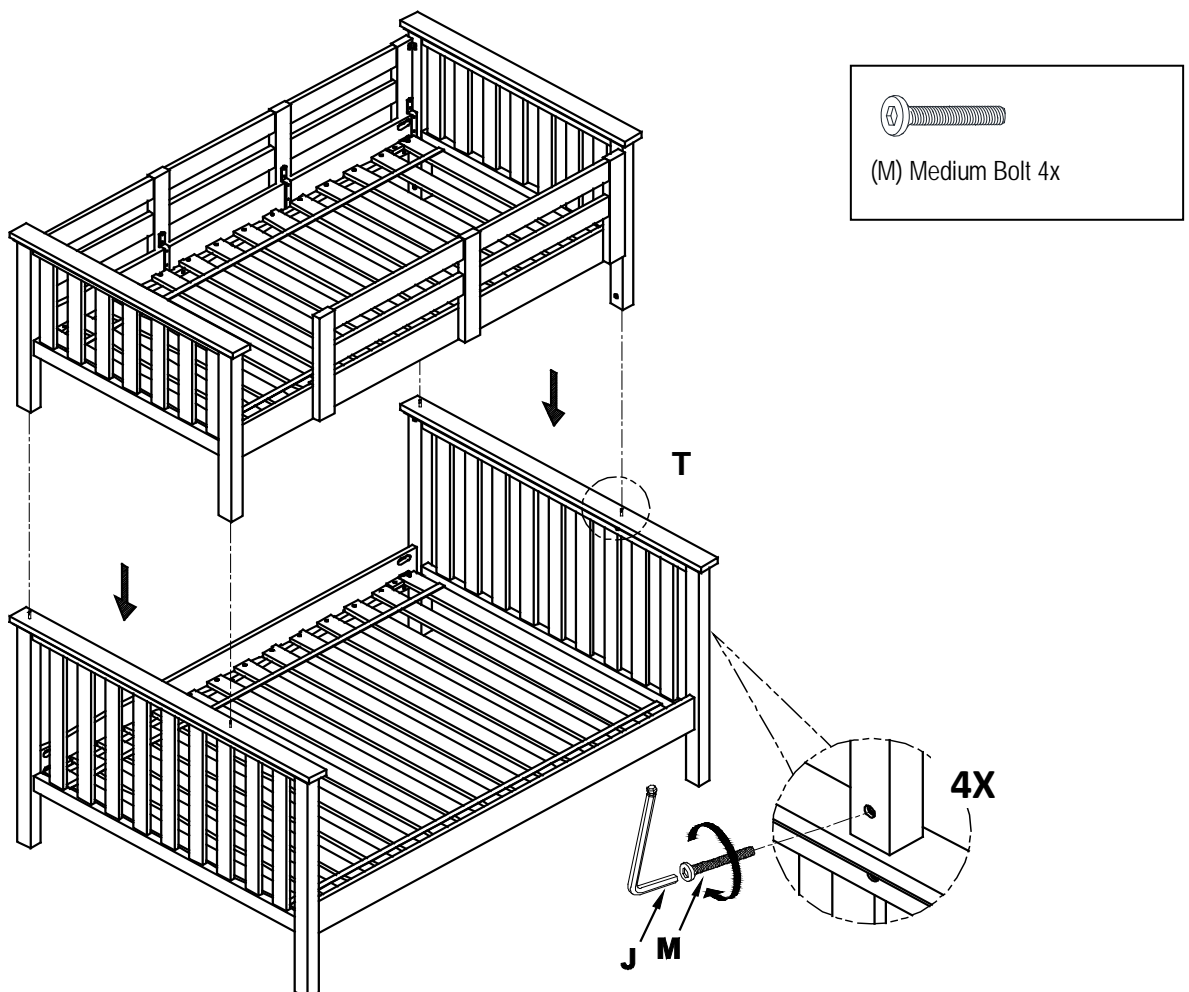
7. Attach (G) & (H) onto the side rail slat support as shown below.



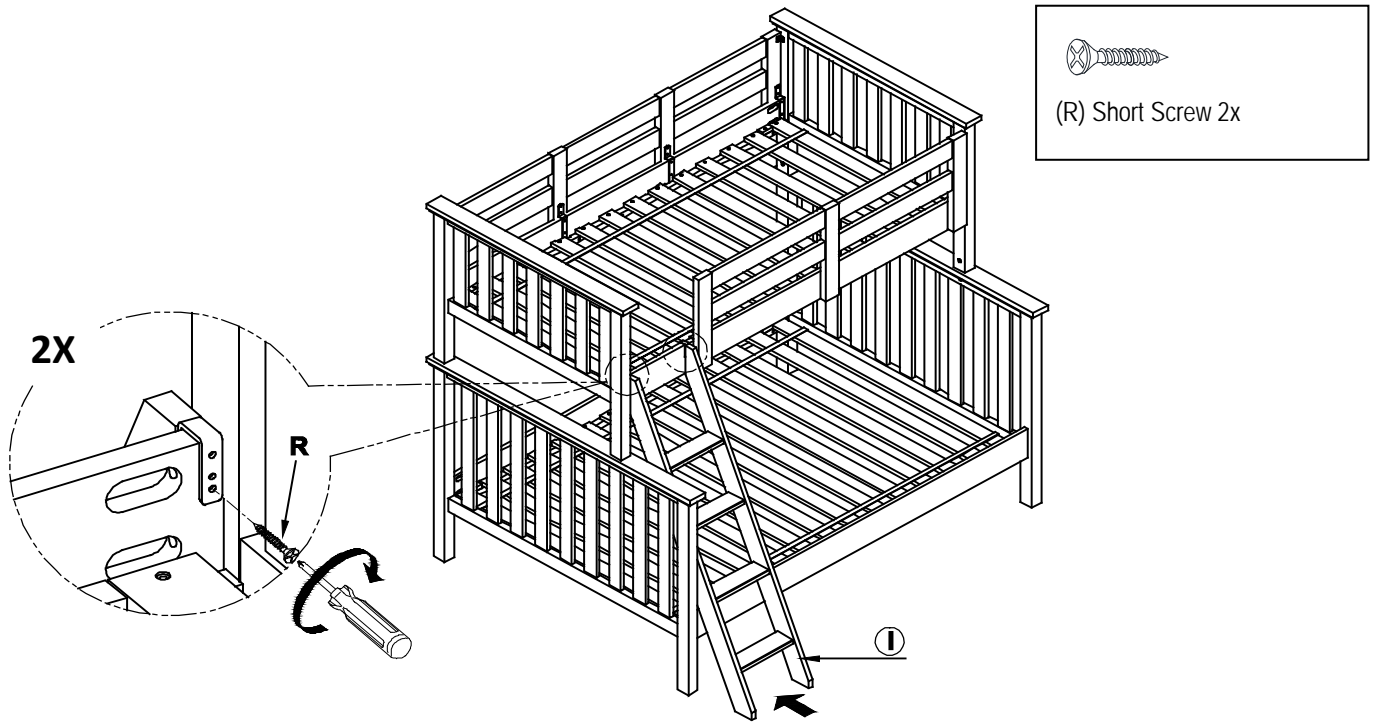
8. Insert (T) into the lower full bed and secure with (M) as shown below.



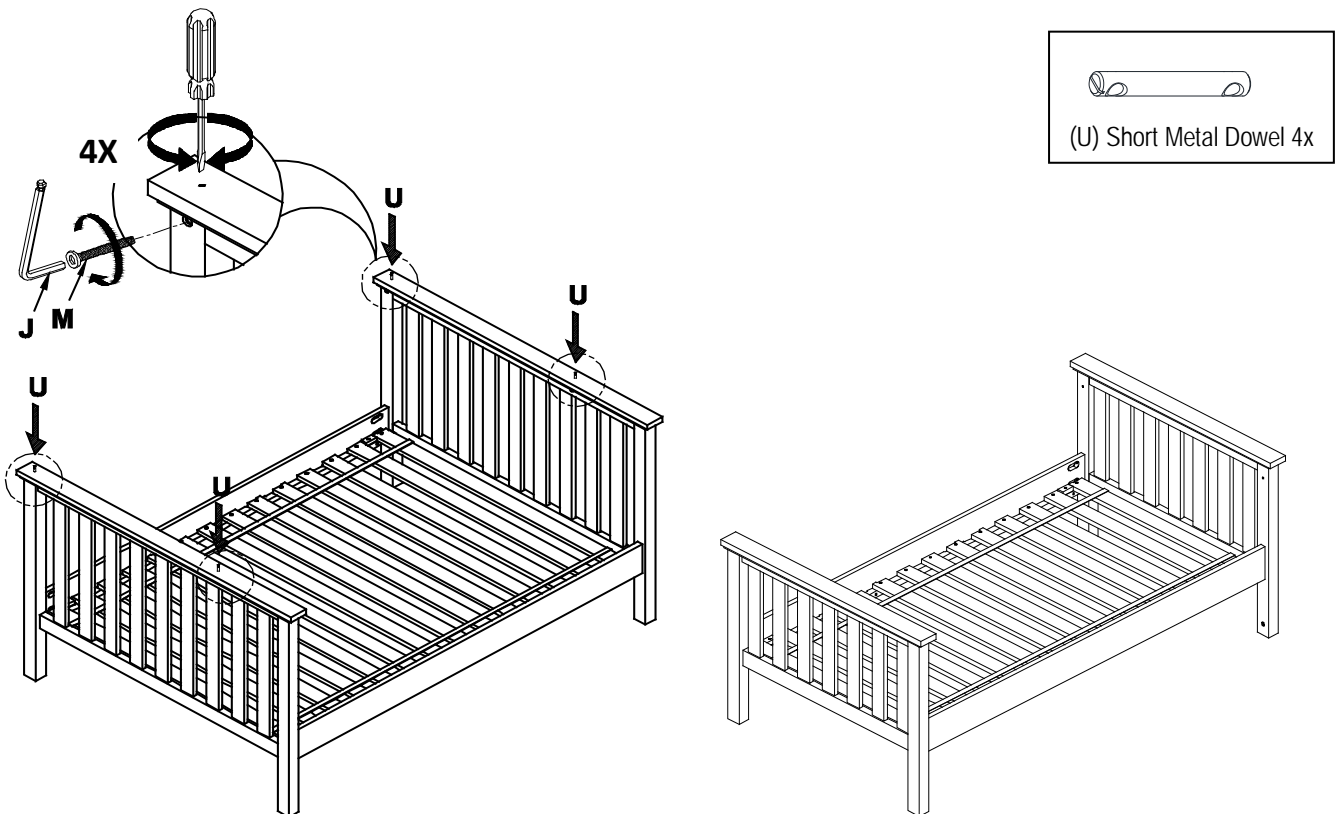
9. Place the twin bed over the full bed and make sure (T) are well inserted in bottoms of twin bed posts. Insert (M) to secure as shown below.



10. Attach Ladder (I) on the upper front side rail and insert (R) to secure as shown below. **Do not over tighten.**



11. When setting up as two beds, 1 full and 1 twin, insert (U) into pre-drilled holes on top of full bed ends and secure with (M).



**Care Instructions:**

- Dust often using a clean, soft, dry and lint-free cloth.
- Blot spills immediately and wipe with a clean, damp, cloth.
- We do not recommend the use of chemical cleansers, abrasives or furniture polish on our lacquered finish.
- Hardware may loosen over time. Periodically check to make sure all connections are tight. Re-tighten if necessary.

Thank you for your purchase  
Stores | catalog | [www.potterybarnkids.com](http://www.potterybarnkids.com)  
USA 1.800.290.8181