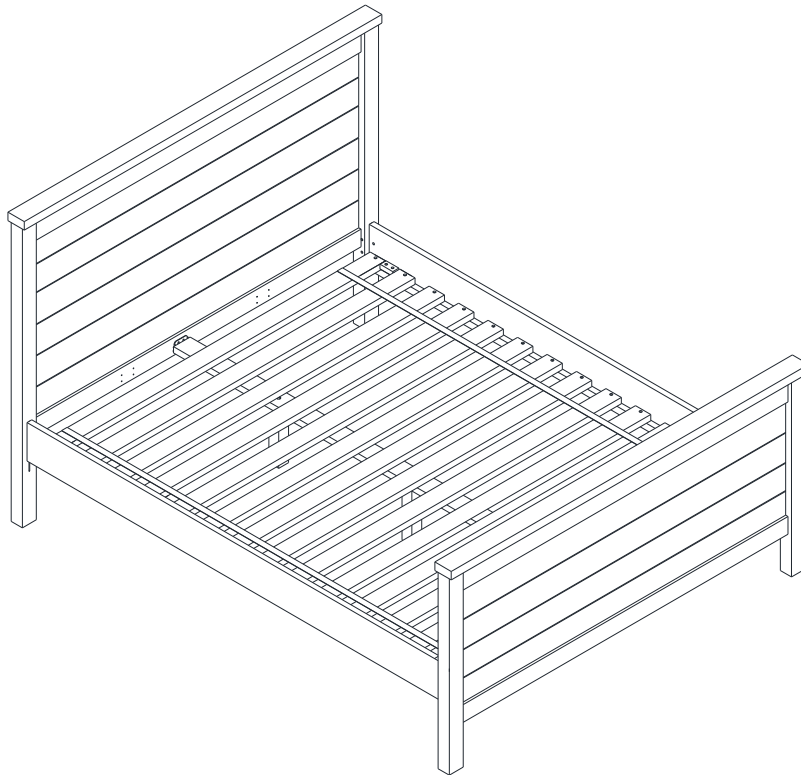


pottery barn kids



**CHARLIE QUEEN BED**

[www.potterybarnkids.com](http://www.potterybarnkids.com)

### Important Safety Instructions:

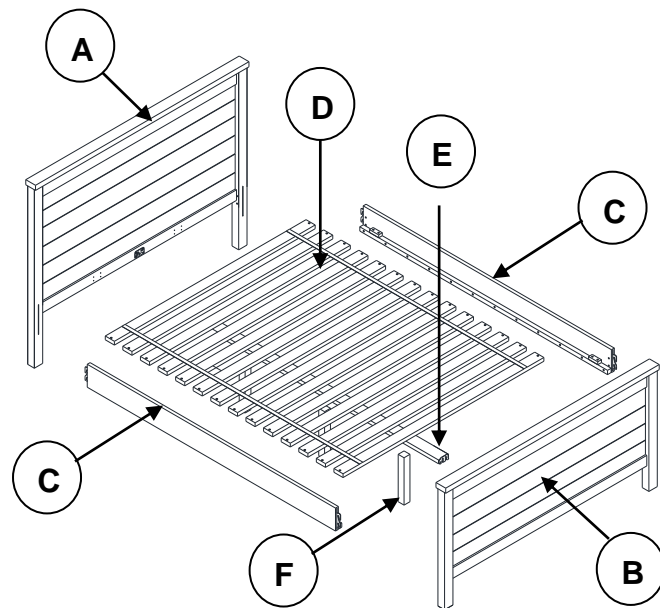
- Please read all instructions carefully before assembling this Bed.
- For your safety, assembly by two or more adults is strongly recommended.
- Keep these instructions for future use.
- Use only vendor-supplied hardware to assemble this item. Using unauthorized hardware could jeopardize the structural integrity of the item.

### Pre-assembly:

- Remove all parts and hardware from the box. Place all items on a carpeted or scratch-free work surface, as this will avoid damaging the parts during assembly. The shipping box provides an ideal work surface.
- To avoid accidentally discarding small parts or hardware, do not dispose of any packaging or contents of the shipping carton until assembly is complete.
- Use the parts and hardware lists below to identify and separate each of the pieces included.
- The illustrations provided allow for easier assembly when used in conjunction with the assembly instructions.
- The use of power tools to aid in assembly is not recommended. Power tools can damage the hardware and split the wood.

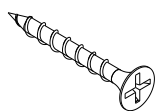
### Parts Included:

- (A) Headboard (1x)
- (B) Footboard (1x)
- (C) Side rails (2x)
- (D) Slat roll (1x)
- (E) Center support rail (1x)
- (F) Support leg (3x)



### Hardware Included:

- (G) Flat head wood screw  
4x30 mm – 28x



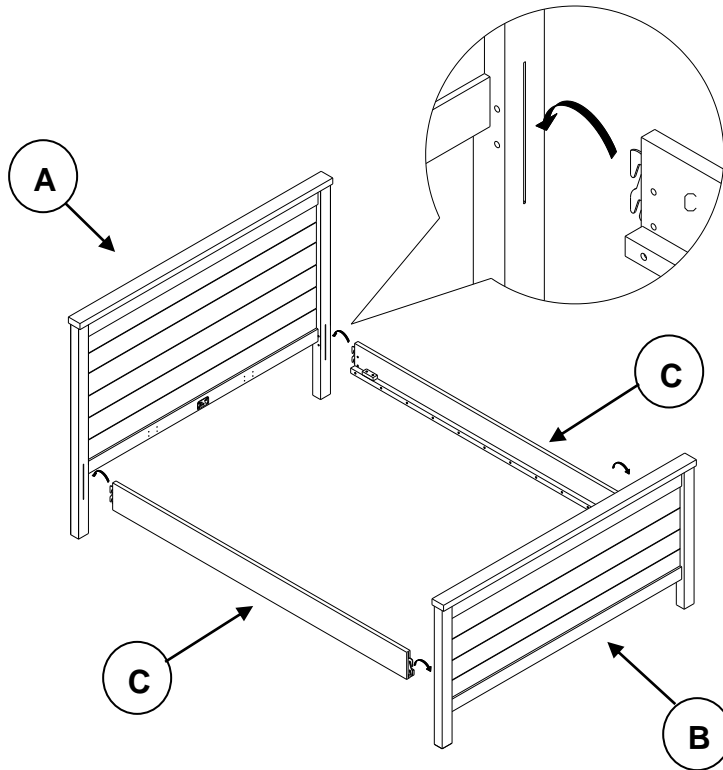
### Tools required (not included):



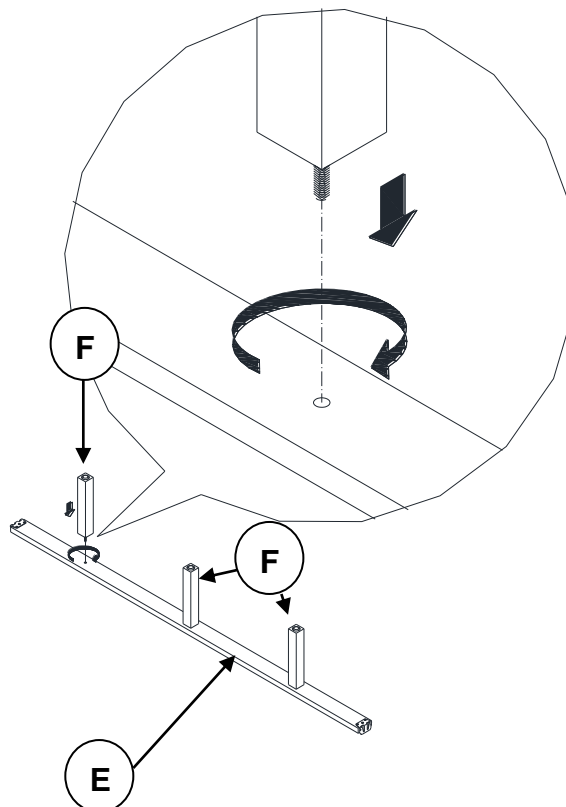
Philips Head Screwdriver

### Assembly Instruction Steps:

1. Attach (C) to (A) & (B) by inserting the pre-fixed hooks into the corresponding slots as shown below. Apply downward pressure and ensure connections are secure.



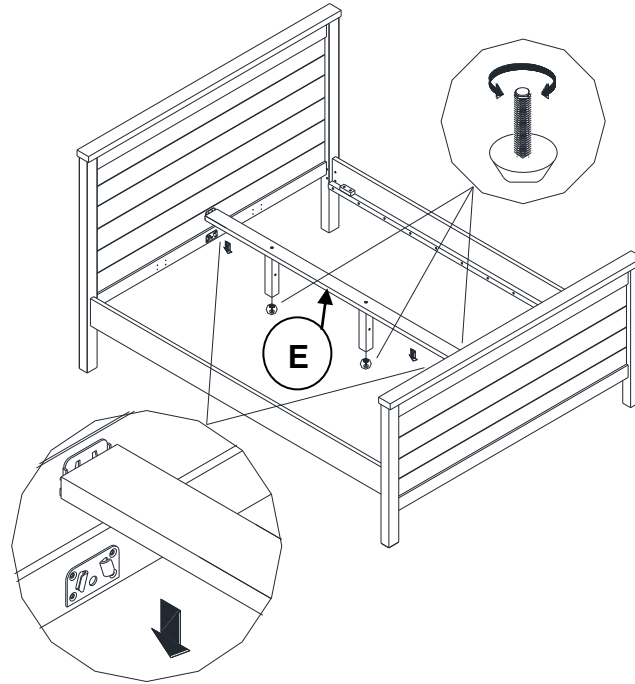
2. Attach (F) to (E) as shown below.



3. Attach the assembled Center Support Rail (E) with Support Leg (F) to the Headboard (A) and Footboard (B) by sliding it onto the bed fitting, as shown below.  
Adjust the levelers underneath each support leg (F) to keep the whole bed level

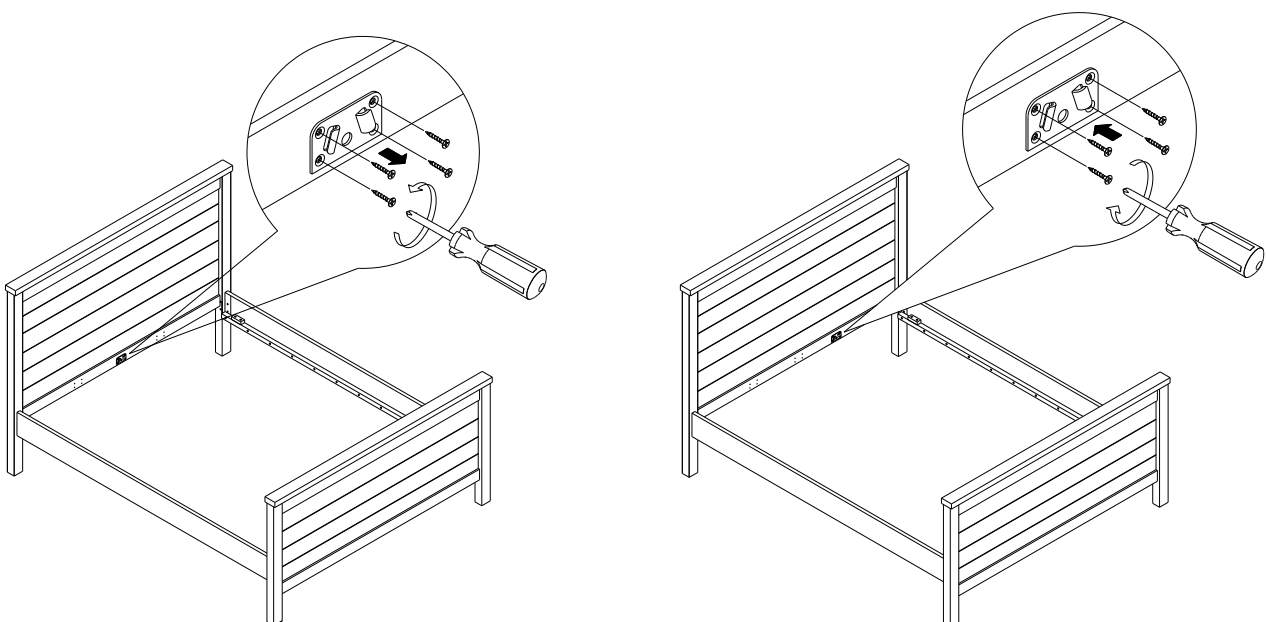
**NOTE:** The Bed can be used with or without a trundle. The position of center rail (E) will be determined depending on which option you choose.

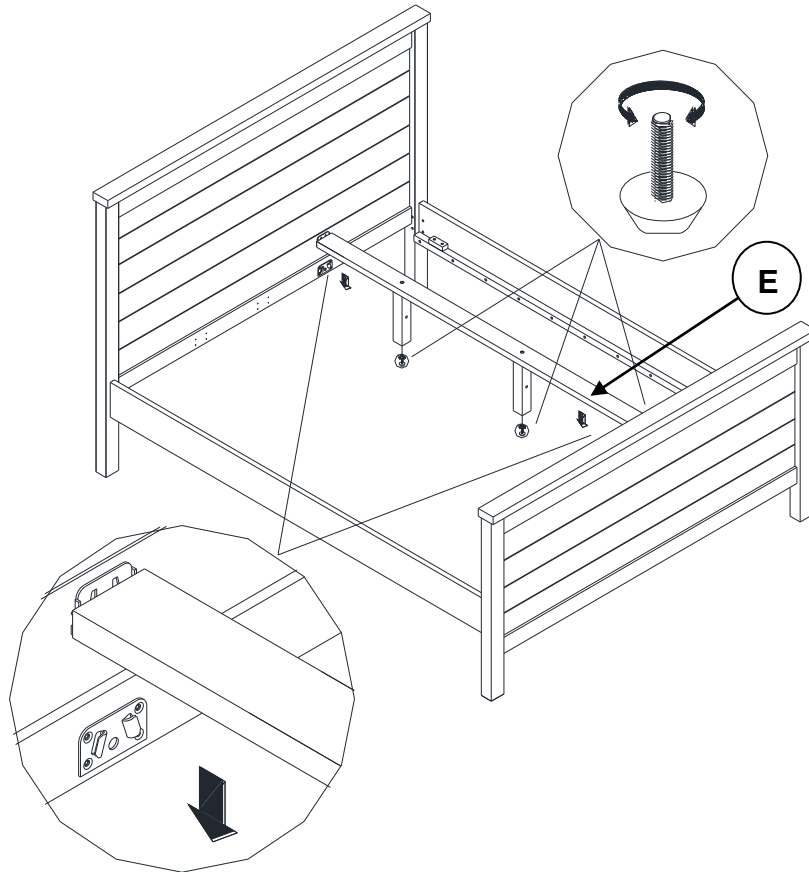
- a. **Option 1 – Without a Trundle:** center rail attach to the metal bracket at the **middle** of the Headboard (A) and Footboard (B).



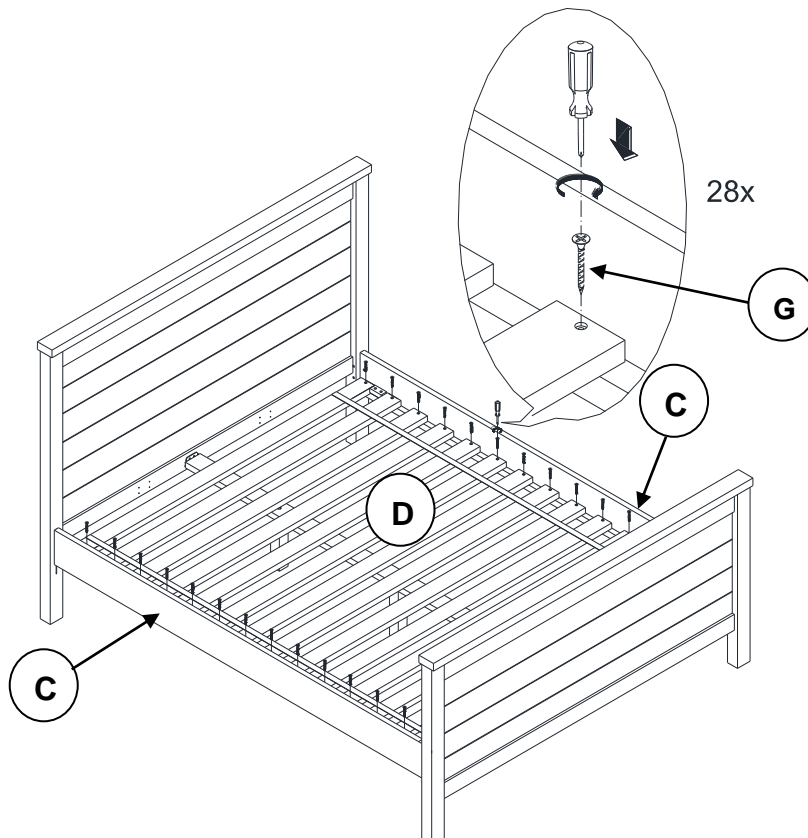
- b. **Option 2 – With a Trundle:** center rail assembled at one **side** of the Headboard (A) and Footboard (B). Follow below steps:


- Remove the metal bracket on headboard and footboard by unscrew the wood screw
- Align the metal bracket over the pre-drilled holes at one **side** of the headboard and footboard and then secure again with original wood screw
- Attach the center rail to the metal bracket





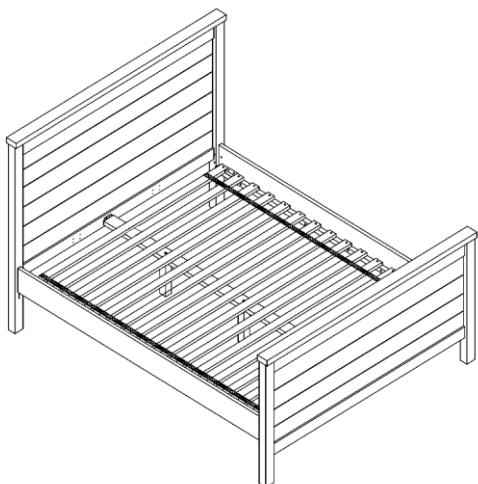
4. Lay (D) onto inner ledge of Side Rails (C) and fasten each slat with (G) and Phillips head screw driver (**not provided**) as shown below.



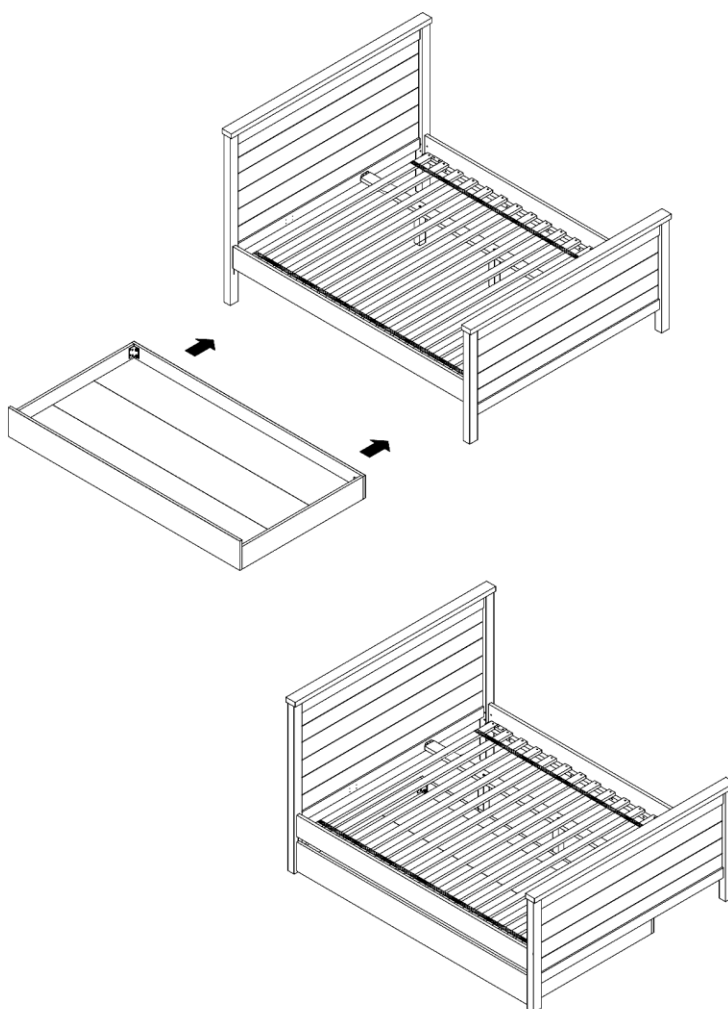
G		28x
---	---	-----

5. Assembly is completed. Carefully slide Charlie Trundle under the bed.

Option 1



Option 2



**Care Instructions:**

- Dust often using a clean, soft, dry, and lint-free cloth.
- Blot spills immediately and wipe with a clean, damp cloth.
- We do not recommend the use of chemical cleansers, abrasives, or furniture polish on our lacquered finish.
- Hardware may loosen over time. Periodically check to make sure all connections are tight. Re-tighten if necessary.

Thank you for your purchase  
Stores | catalog | [www.potterybarnkids.com](http://www.potterybarnkids.com)  
USA 1.800.290.8181