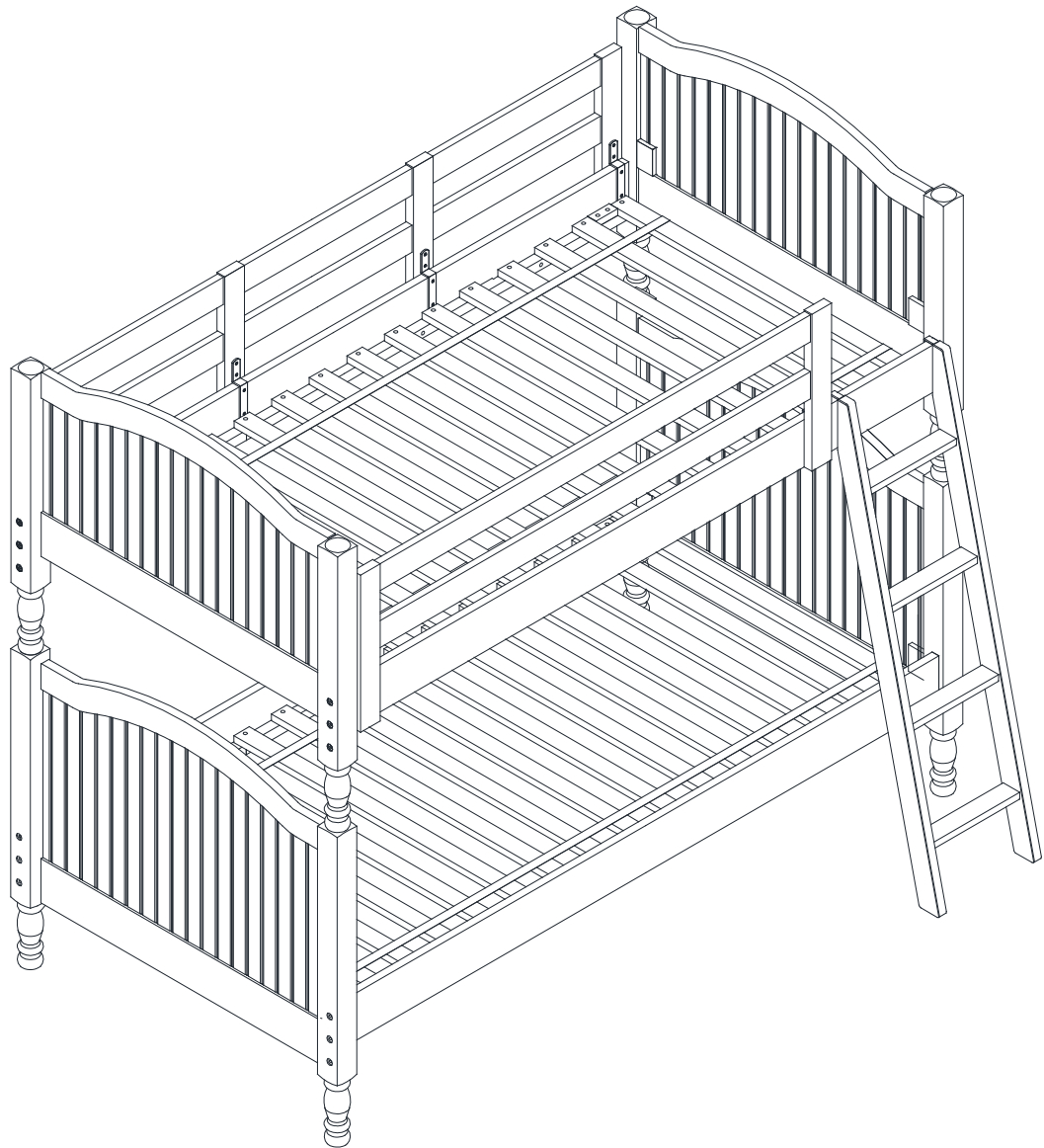


pottery barn kids

CATALINA BUNK BED TWIN OVER TWIN

ASSEMBLY INSTRUCTIONS



www.potterybarnkids.com



WARNING: Failure to follow these warnings and assembly instructions could

serious injury or death. To help prevent serious or fatal injuries from entrapment or falls:

- Read all instructions before assembling bunk bed.
 - Before each usage or assembly, inspect bunk bed for damaged hardware, loose joints, missing parts or sharp edges. DO NOT use bunk bed if any parts are missing or broken.
 - DO NOT use substitute parts. Contact pottery barn kids for replacement parts and instructional literature if needed.
 - Follow the information on the warnings appearing on the upper bunk end structure and on the carton. DO NOT REMOVE WARNING LABEL FROM BED.
 - Always use the recommended size mattress or mattress support, or both, to help prevent the likelihood of entrapment or falls.
 - Ensure thickness of mattress on upper bunk does not exceed 9 inches and the surface of mattress must be at least 5 inches (127 mm) below the upper edge of guardrails.
 - Only use the 9" thickness mattress on the lower bunk.
 - Ensure both upper and lower bunk are assembled to the highest position when using the product as a bunk bed.
 - Use only mattress which is 74"-75" long and 37.5"-38.5" wide on upper and lower bunk.
 - Do not allow children under 6 years of age to use the upper bunk.
 - Periodically check and ensure that the guardrail, ladder, and other components are in their proper position, free from damage, and that all connectors are tight.
 - Do not allow horseplay on or under the bed and prohibit jumping on the bed.
 - Prohibit more than one person on the upper bunk.
 - Always use the ladder for entering and leaving the upper bunk.
 - Use of a night light may provide added safety precaution for a child using the upper bunk.
 - Always use guardrails on both long sides of the upper bunk. If the bunk bed will be placed next to the wall, the guardrail that runs the full length of the bed should be placed against the wall to prevent entrapment between the bed and wall.
 - The use of water or sleep flotation mattresses is prohibited.
 - If refinishing, use a non-toxic finish specified for children's products.
- STRANGULATION HAZARD** - Never attach or hang items to any part of the bunk bed that are not designed for use with the bed; for example, but not limited to, hooks, belts and jump ropes.
- This bunk bed meets the requirements of ASTM F1427-13
KEEP THESE INSTRUCTIONS FOR FUTURE REFERENCE.

04-000044-7

Important Safety Instructions:

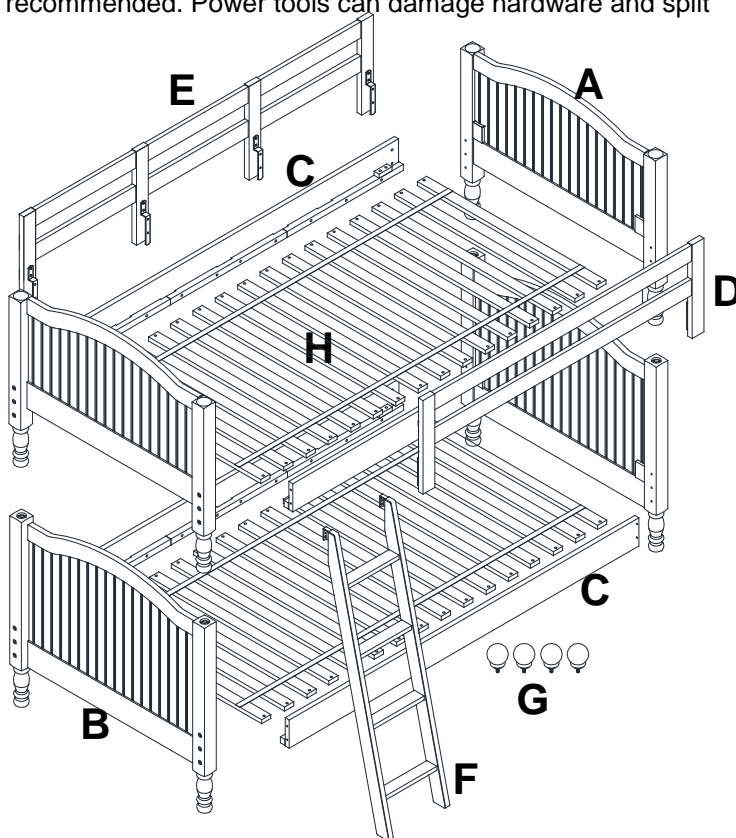
- Please read all instructions carefully before assembling.
- For your safety, assembly by two or more adults is strongly recommended.
- Keep instructions for future use.
- Use only vendor supplied hardware to assemble. Using unauthorized hardware could jeopardize the structural integrity of the item.

Pre-assembly:

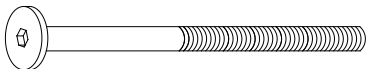





- Remove all parts and hardware from the box and lay out on a clear carpeted or scratch-free work surface, as this will avoid damaging parts during assembly. The shipping box provides an ideal work surface.
- Do not dispose of any packaging or contents of the shipping carton until assembly is completed to avoid accidentally discarding small parts or hardware.
- Use the parts and hardware lists below to identify and separate each of the pieces included.
- The illustrations provided allow for easier assembly when used in conjunction with the assembly instructions.
- The use of power tools to aid in assembly is not recommended. Power tools can damage hardware and split wood.

Parts Included:

- (A) Footboard-Upper Bed (Short) End - 2 pcs
- (B) Headboard-Upper Bed(Short) End - 2 pcs
- (C) Side rail - 4 pcs
- (D) Guardrail-Short - 1 pc
- (E) Guardrail-Long - 1 pc
- (F) Ladder - 1 pc
- (G) Finial - 4 pcs
- (H) Bed slat - 2 sets



Hardware Included:

(I) Bolt M6 x 110mm – 16x 		(J) Barrel nut – 16x 	(K) Iron dowel Φ10x100mm – 4x 
(L) RH Screw 8x25mm – 64x 	(M) FH Screw 8x19mm – 20x 	(N) Allen key 4mm – 1x 	

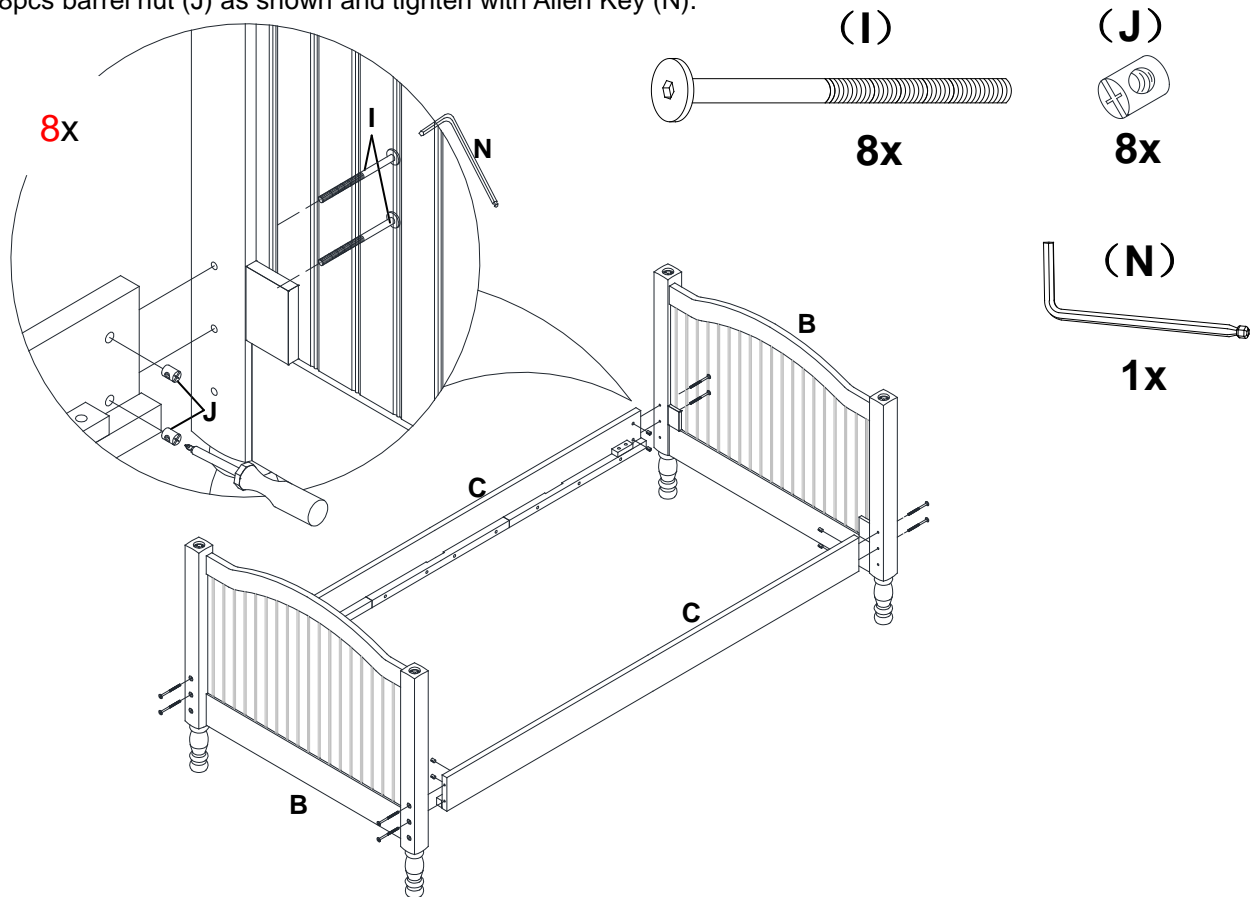
Tools Required (not included):



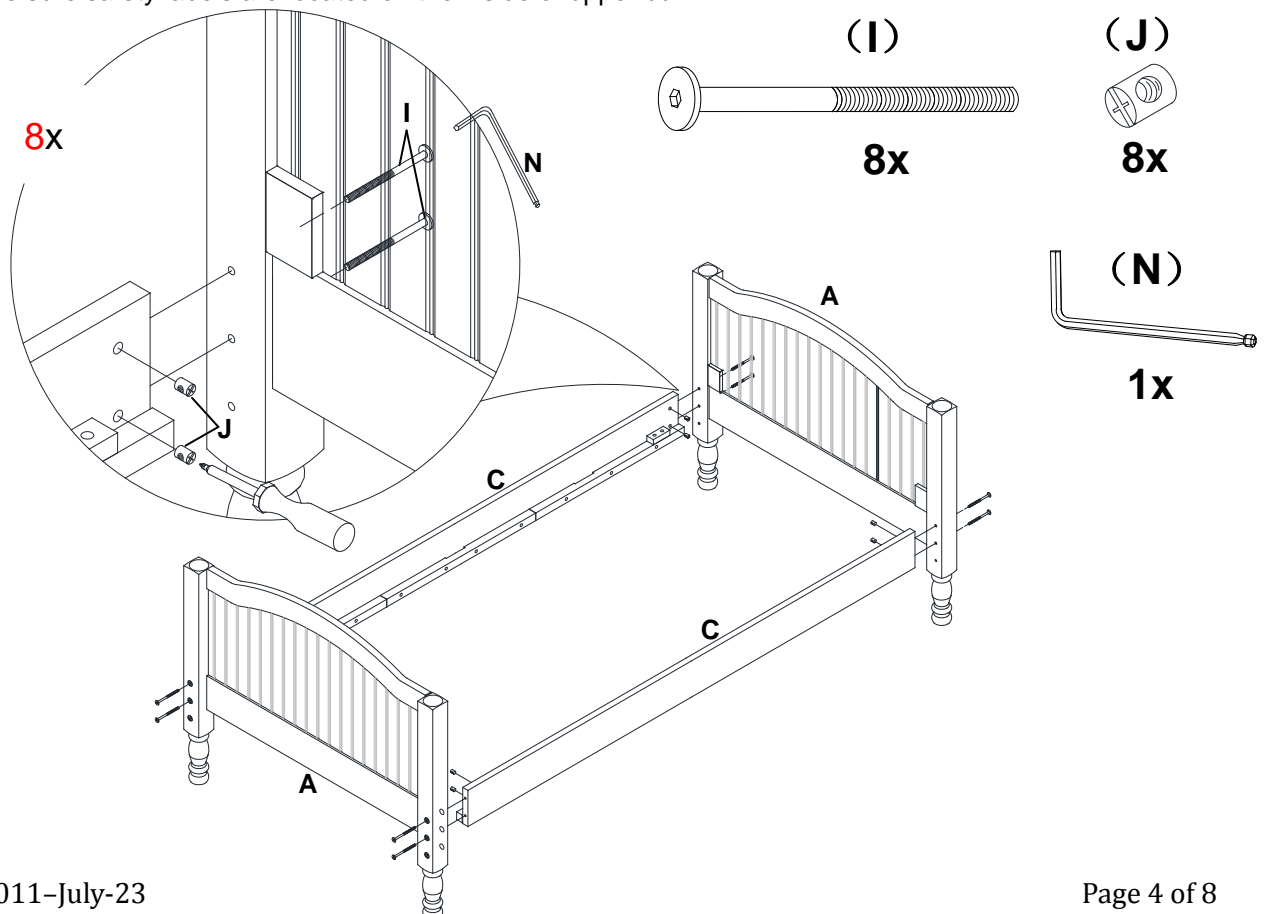
Philips Head Screwdriver

Assembly Instruction Steps:

1. Assemble Lower bed ends (head boards) (B) to two bed side rails (C) by using 8pcs M6 x 110 mm Allen bolts (I) and 8pcs barrel nut (J) as shown and tighten with Allen Key (N).

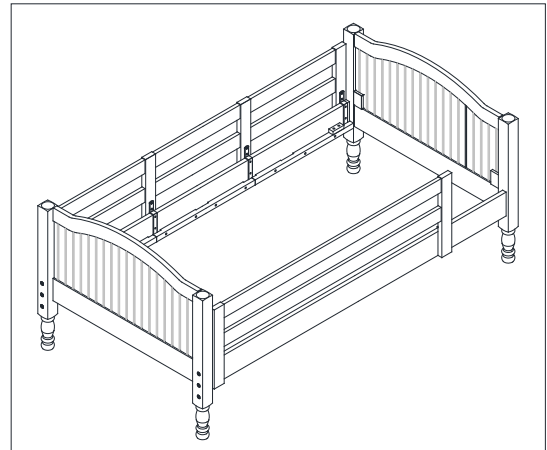
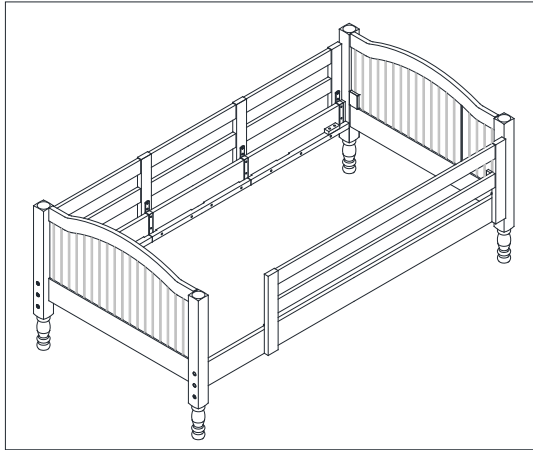


2. Assemble upper bed ends (foot boards) (A) to two bed side rails (C) by using 8pcs M6 x 110mm Allen bolts (I) and 8pcs barrel nuts (J) as shown using Allen Key (N). **Ensure side rails are installed in the upper holes.** Make sure safety labels are located on the inside of upper bunk.



3. Determine the desired location of the ladder opening (see option below).

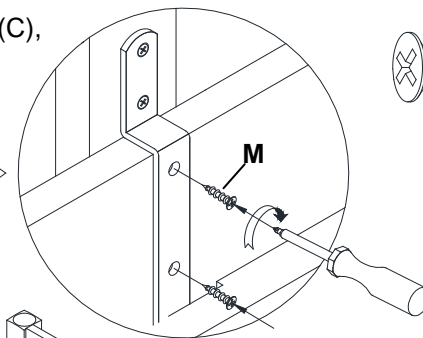
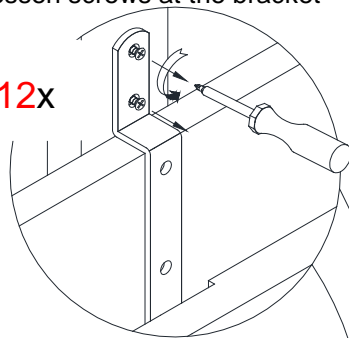
OPTIONS



4. Fasten guardrails (D) and (E) to side rails (C) of upper bunk using 18pcs of FH Screw 8x19mm(M). The long guardrail (E) goes on the back side rail of the upper bed. Make sure there is no gap in between the other end of the short guardrail (D) and the bed end structure (A) before you start screwing the brackets to the front side rail. Turn brackets on bottom of Guardrails and secure to underside of bed rails as shown. Use Phillips head screw driver for tighten screws.

Note: Attach guardrail (D) and (E) to side rail (C),
Lessen screws at the bracket

12x

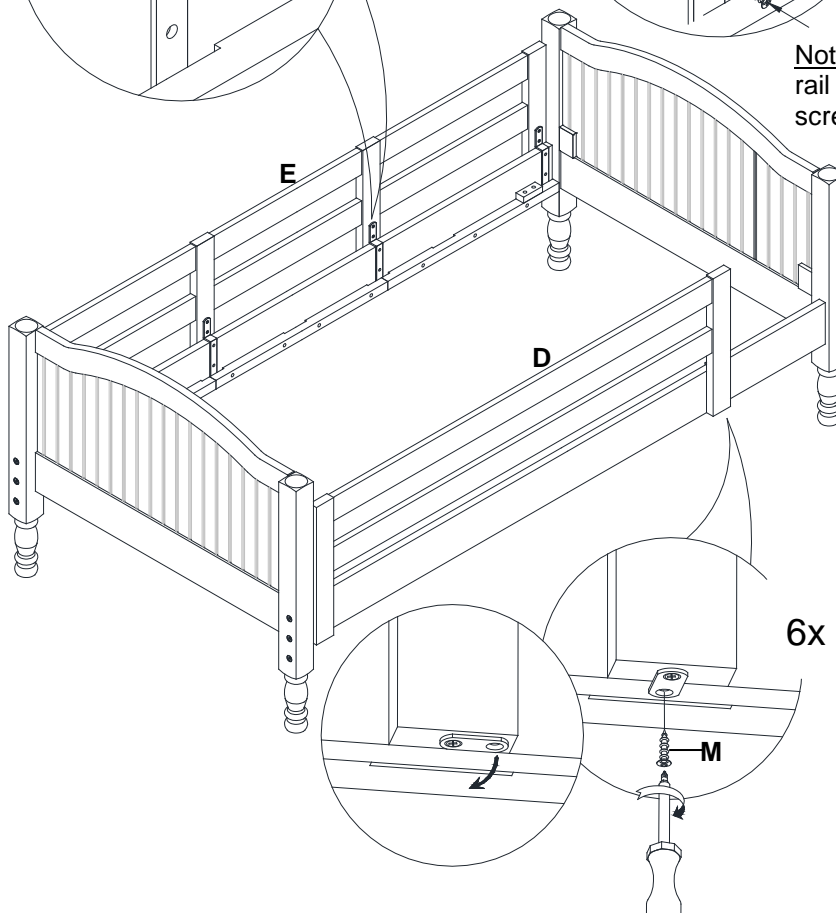


(M)

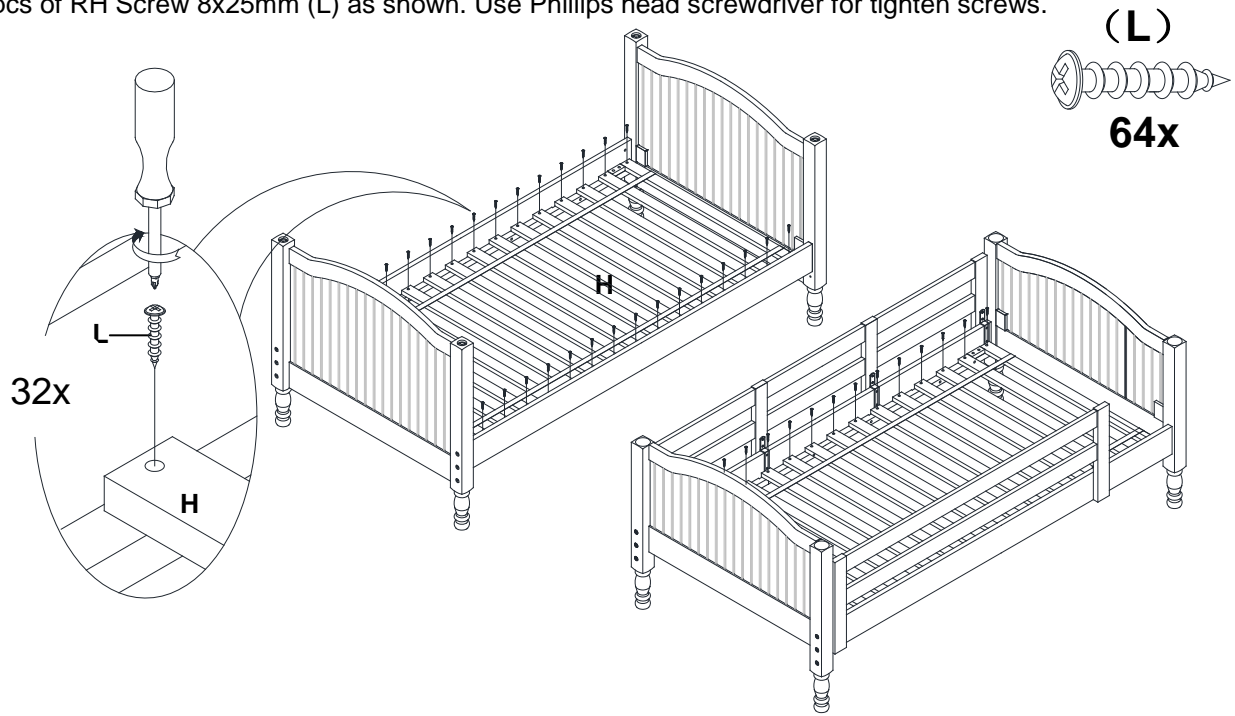


18x

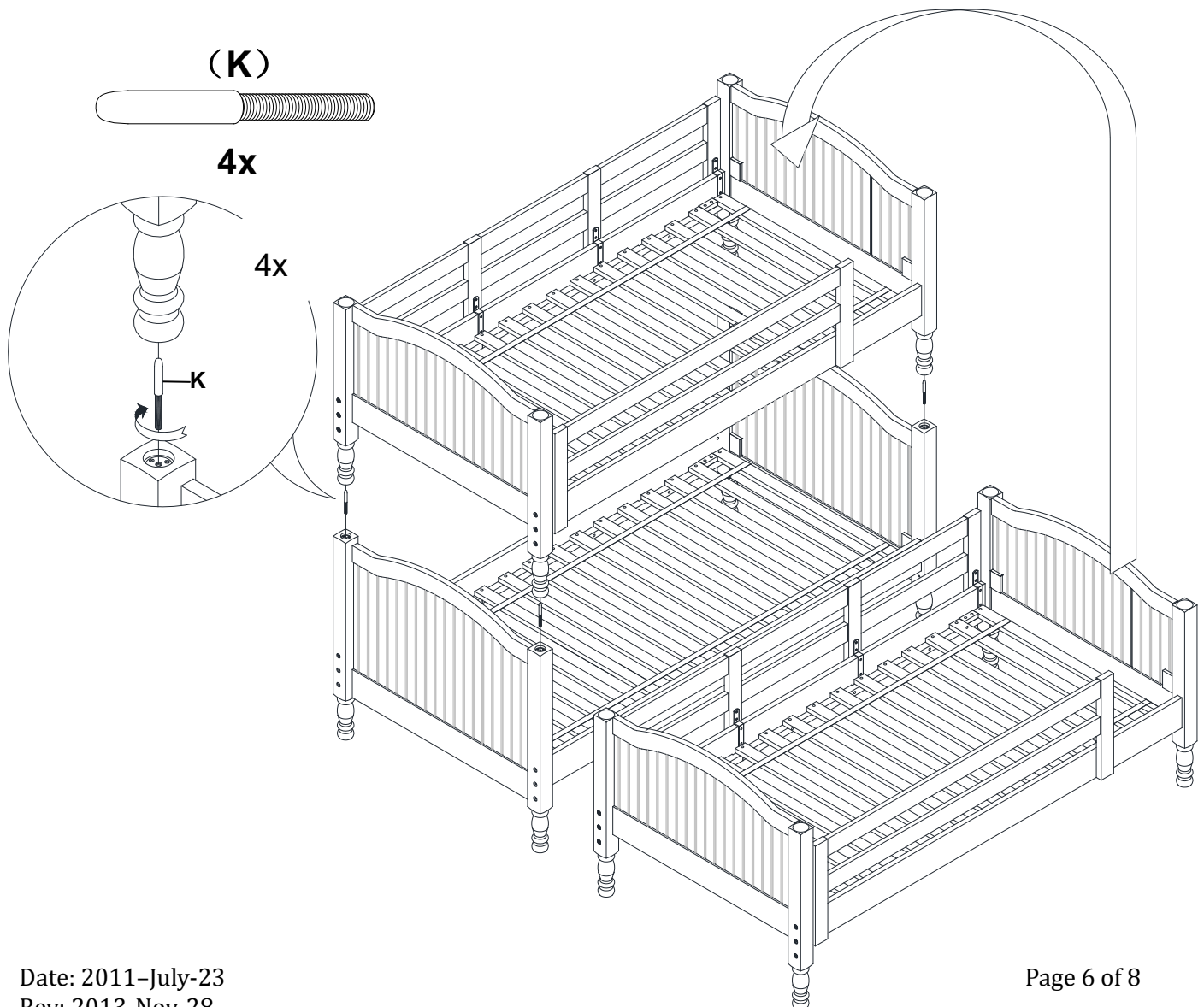
Note:- Put the screw (M) to the Side rail (C) and tighten all Together with screwdriver



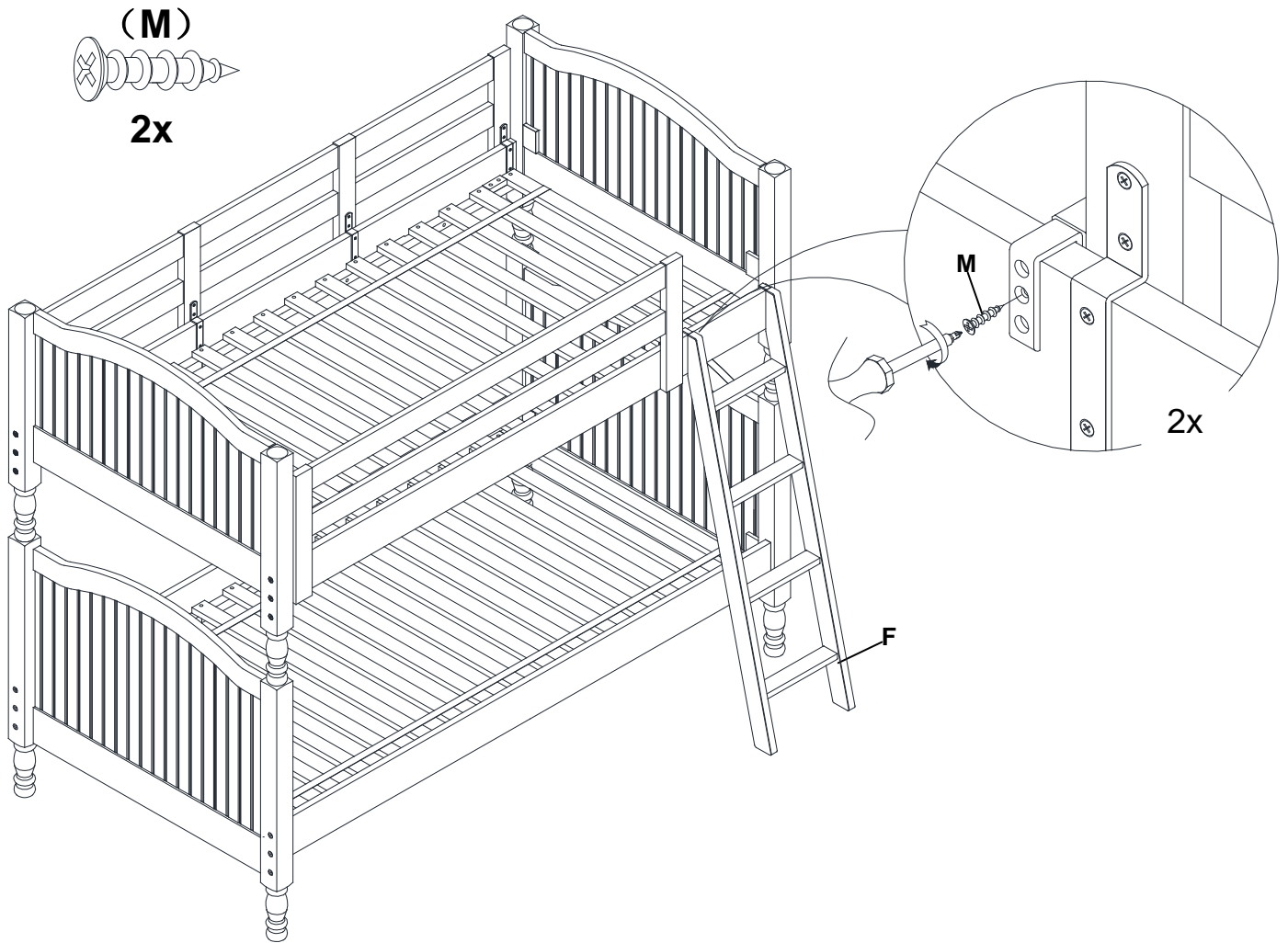
5. Lay Bed Slat (H) in between upper bed ends and lower bed ends. Attach Bed Slat (H) to the bed frame by using 64pcs of RH Screw 8x25mm (L) as shown. Use Phillips head screwdriver for tighten screws.



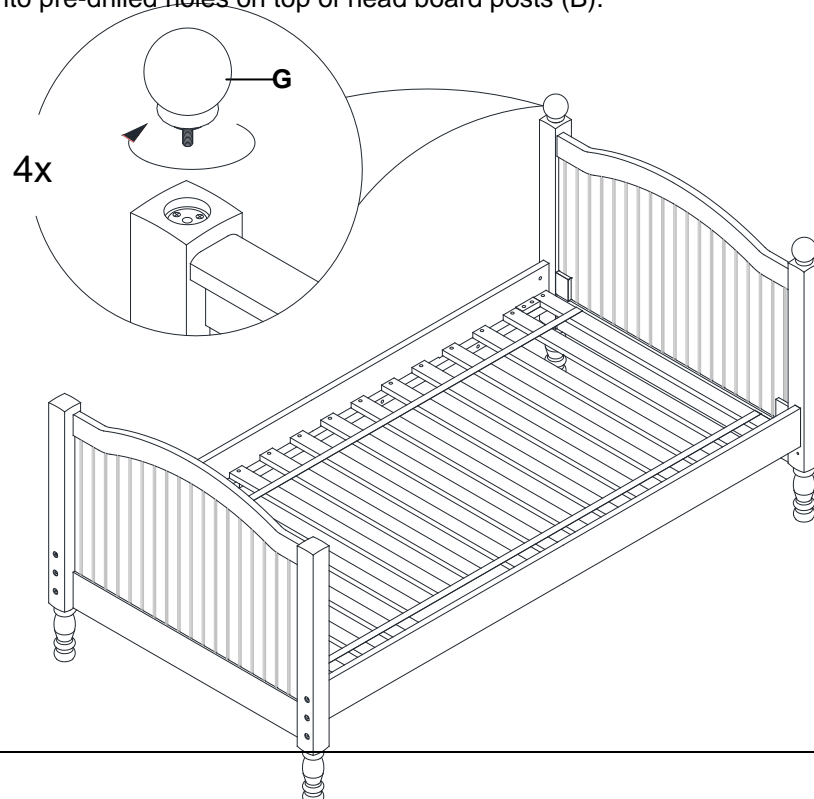
6. Insert 4pcs of iron dowels (K) into top of posts of each end of lower bed assembly. Lift upper bed over bottom bed making sure dowels (K) are well inserted into bottom end of upper bed posts.



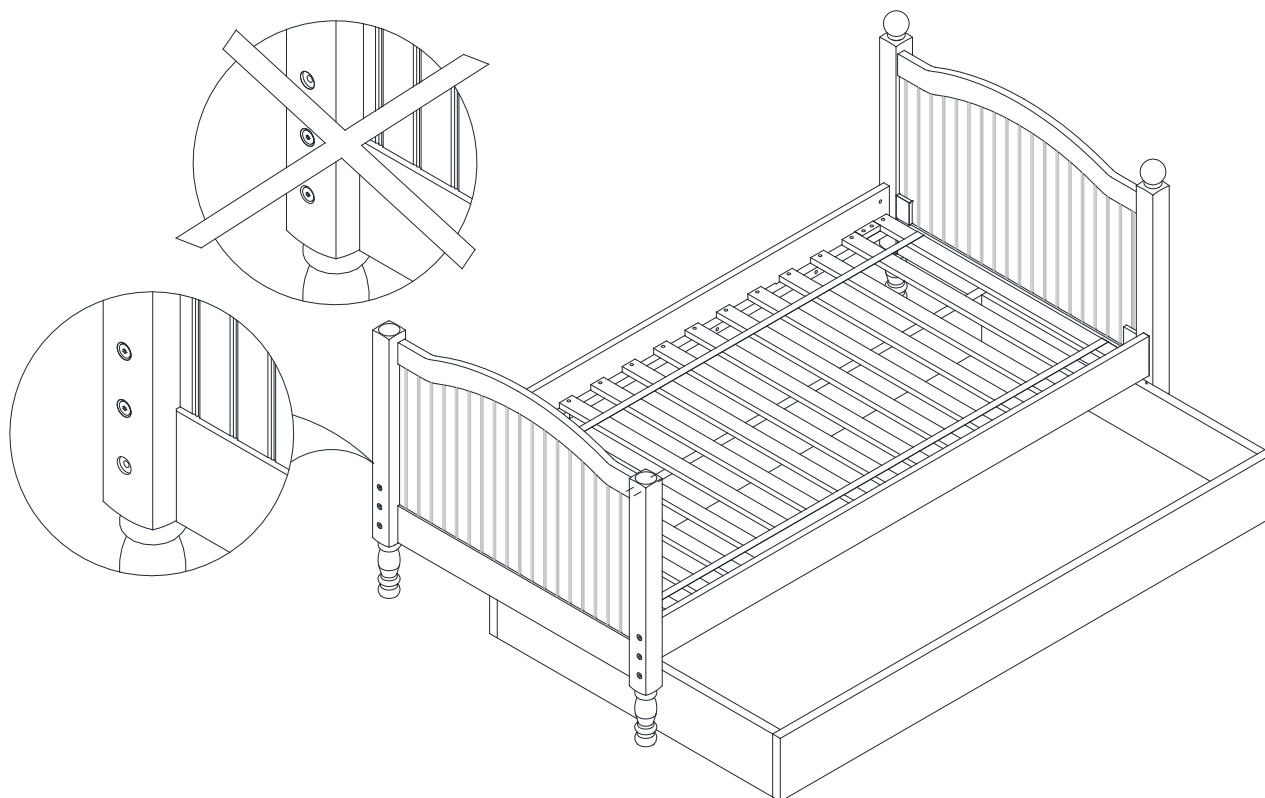
7. Fasten ladder (F) to front side rail (C) using 2pcs of FH Screw 8x19mm (M) as shown. Use Phillips head screwdriver for tighten screws.



8. To convert bunk bed into two twin beds, use the taller end boards (B) as head boards and the shorter end boards (A) as foot boards. Assemble beds following instructions in step 1 and 2.
9. Insert Finials (G) into pre-drilled holes on top of head board posts (B).



10. If used with trundle bed (sold separately), make sure you assemble the twin bed with the side rails in the upper set of holes as shown.



Care Instructions:

- Dust often using a clean, soft, dry and lint-free cloth.
- Blot spills immediately and wipe with a clean, damp, cloth.
- We do not recommend the use of chemical cleansers, abrasives or furniture polish on our lacquered finish.
- Hardware may loosen over time. Periodically check to make sure all connections are tight.
Re-tighten if necessary.

Thank you for your purchase
Stores | catalog | www.potterybarnkids.com
USA 1.800.290.8181

Date: 2011-July-23
Rev: 2013-Nov-28

Page 8 of 8