

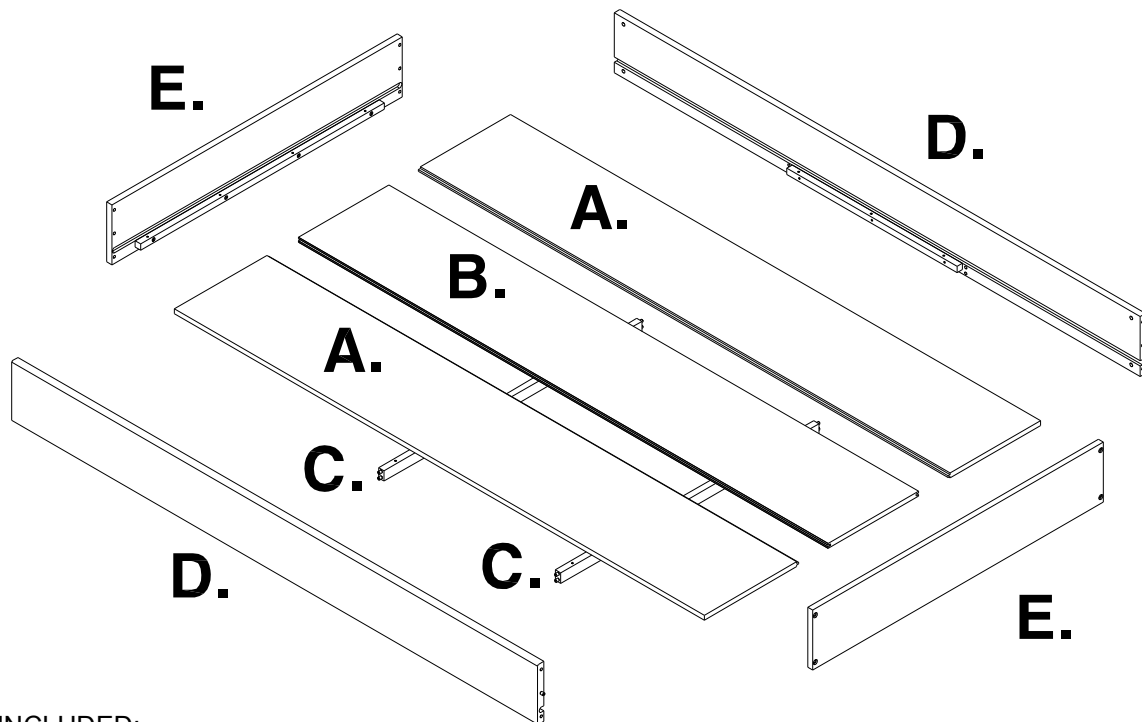
# pottery barn kids UNIVERSAL TRUNDLE

## ⚠️ WARNING:

When using trundle for sleeping, trundle bed must be pulled away entirely from the bed structure to prevent any entrapment issues. Make sure area surrounding the trundle bed is clear of any hazard.

### PRE-ASSEMBLY:

- For your safety and ease, assembly by two adults is recommended.
- Please read all instructions before beginning assembly. The illustrations provided allow for easier assembly when used in conjunction with the assembly instructions.
- Remove all parts and hardware from box and lay out on a carpeted or scratch-free work surface. The shipping box provides an ideal work surface. Do not dispose of any contents until assembly is completed to avoid accidentally discarding small parts or hardware.
- Use the parts and hardware lists to identify and separate each of the pieces included prior to starting assembly.
- Note: DO not fully tighten the bolts until all parts are in place. Failure to follow these instructions may cause the bolts to misalign during assembly.
- If using power tools to aid in assembly please use caution. Power tools can damage hardware or split wood.



### PARTS INCLUDED:


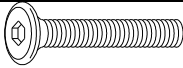


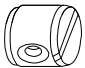



- (A) Left and Right Board (with extra holes) – 2pcs
- (B) Center Bottom Board – 1pc
- (C) Cross Bar – 2pcs
- (D) Long Side Rail – 2pcs
- (E) Short Side Rail – 2pcs

### TOOLS REQUIRED:

Philips Head Screwdriver (Not included)

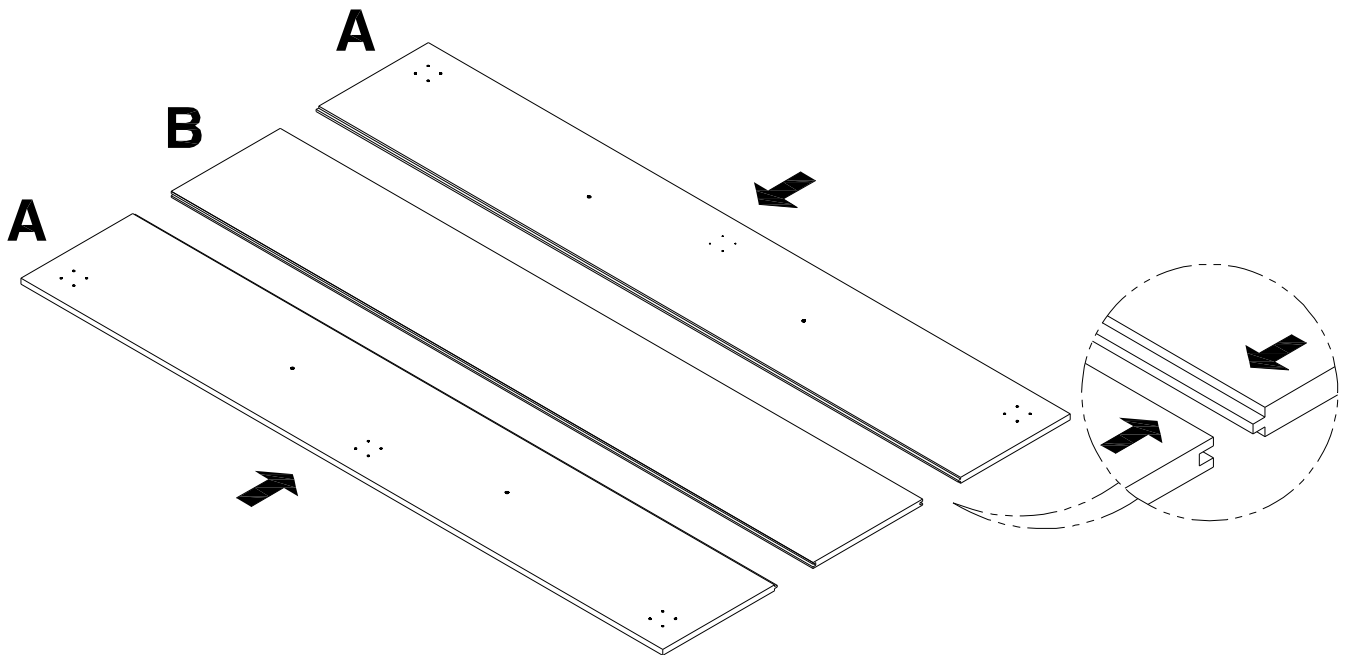


### HARDWARE INCLUDED:

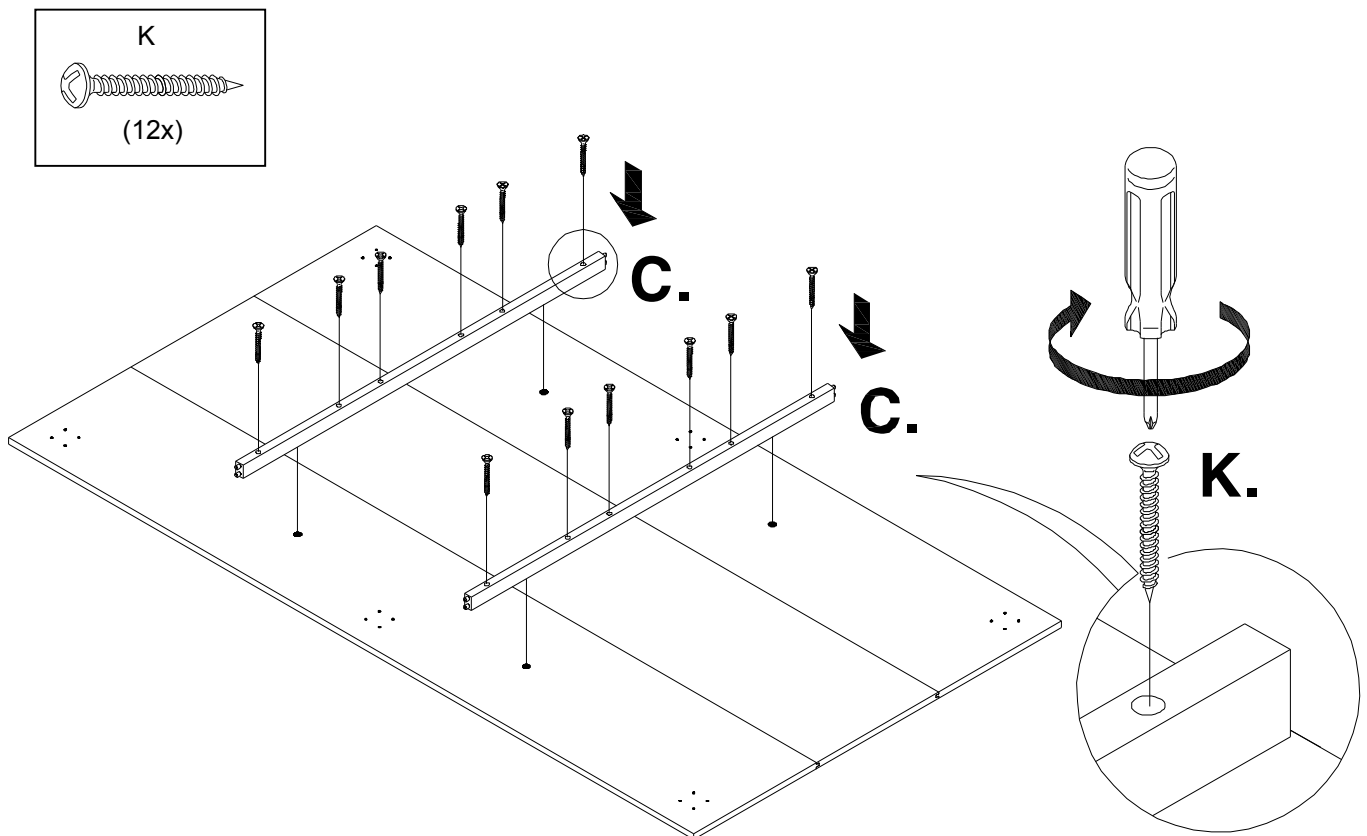
 (F) Allen Key – 1pc	 (G) Bolt 1/4" x 60mm – 8pcs	 (H) Spring Washer – 8pcs	 (I) Flat Washer – 8pcs
 (J) Barrel Nut – 8pcs	 (K) Long Wood Screw 4 x 30mm – 22pcs	 (L) Short Wood Screw 4 x 13mm – 24pcs	 (M) Caster – 6pcs

**ASSEMBLY INSTRUCTIONS:**

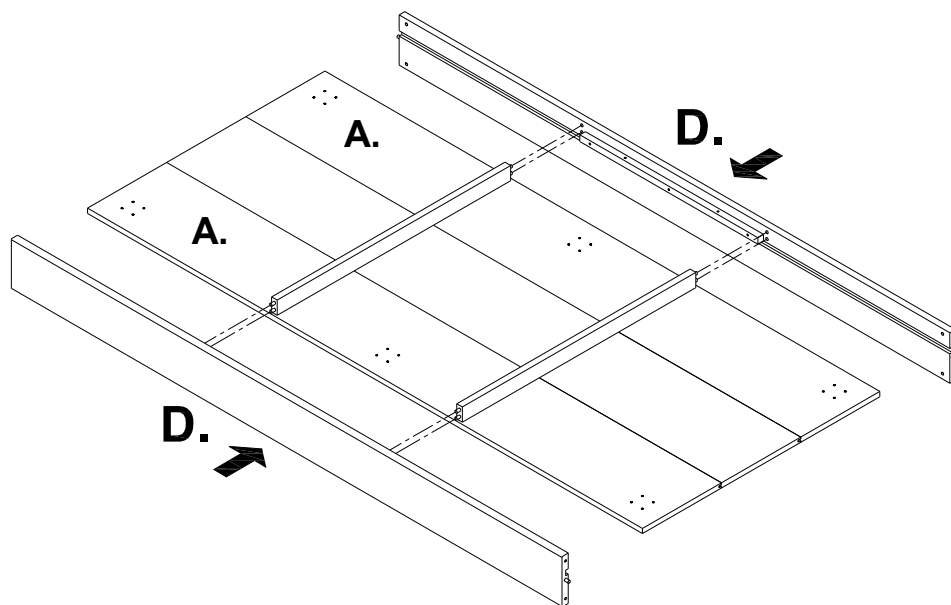
1. Please make sure bed side rails set on highest level for use with trundle.
2. Lay the Left and Right Bottom Boards (A) on either side of the Center Bottom Board (B) with the pre-drilled holes facing up, as shown below.



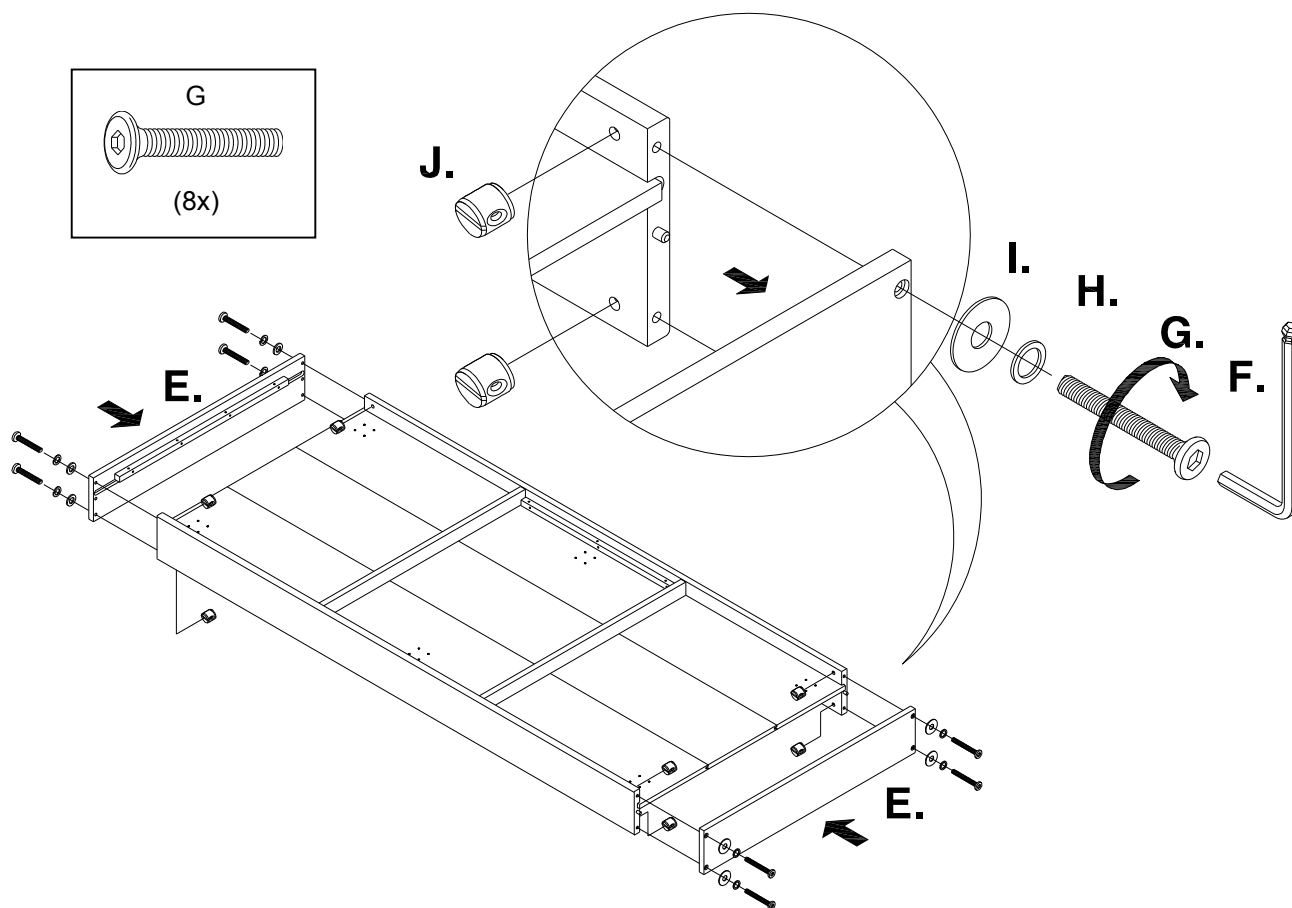
3. Attach (2) Cross Bars (C) to the bottom boards by inserting (6) Long Wood Screws (K) into the pre-drilled holes of each cross bar, tightening with the Philips Head Screwdriver.



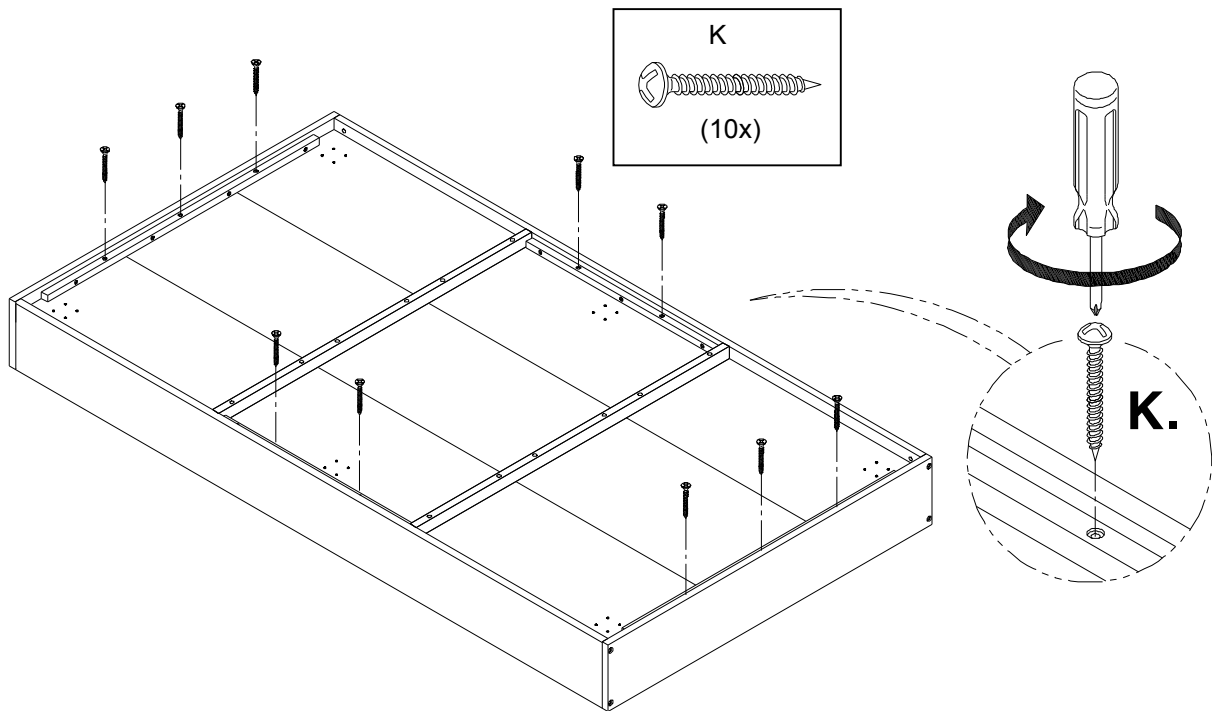
4. To Attach Long Side Rails (D) to the assembled piece, insert the wooden dowels on the ends of the Cross Bars (C) into the pre-drilled holes on the Long Side Rails (D), as shown below. Press firmly to ensure the Left and Right Bottom Boards (A) sit in the slots of the Long Side Rails (D).



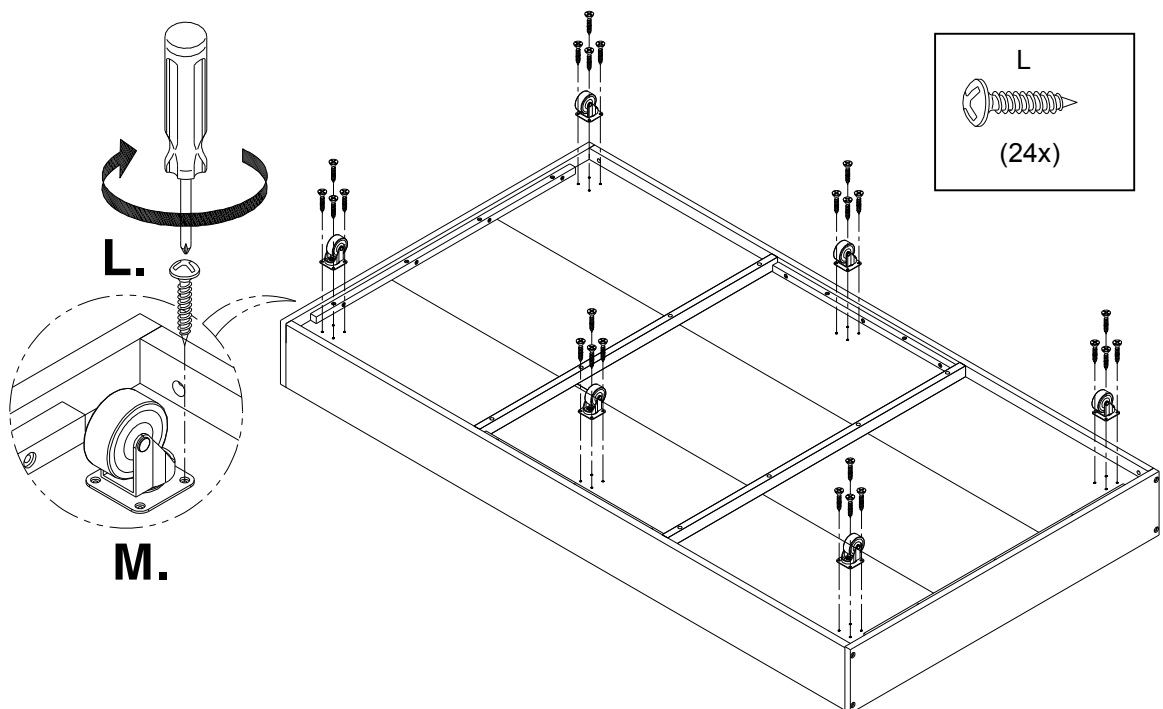
5. Slide a Spring Washer (H) and a Flat Washer (I) onto each Bolt (G). Align the predrilled holes on the Short Side Rails (E) to the wooden dowels on ends of the (2) Long Side Rails (D). Insert the bolt with washers into pre-drilled hole on the Short Side Rail (E). Place Barrel Nut (J) in the corresponding opening on the Long Side Rail and use Allen Key (F) to connect, as shown below. Repeat with the remaining (7) bolts. Do not fully tighten the bolts.



6. Secure Bottom Boards with the Long/Short Side Rails by inserting the remaining (10) Long Wood Screws (K) into pre-drilled holes on wooden cleats and tighten with a Philips Head Screwdriver as shown.



7. Attach the (6) Casters (M) to pre-drilled holes on the Bottom Boards using (24) Short Wood Screws (L) and tighten with a Philips Head Screw Driver. Check alignments and tighten all connecting bolts.



**CARE INSTRUCTIONS:**

- Dust often using a clean, soft, dry lint-free cloth.
- Blot spills immediately, and wipe with a clean, damp, cloth.
- We do not recommend the use of chemical cleansers, abrasives, or furniture polish on our lacquered finish.

Thank you for your purchase.  
 stores | catalog | [www.potterybarnkids.com](http://www.potterybarnkids.com)  
 USA 1.800.290.8181