

# pottery barn kids

## CAMERON STORAGE HEADBOARD QUEEN





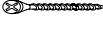
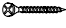

### IMPORTANT SAFETY INSTRUCTIONS:

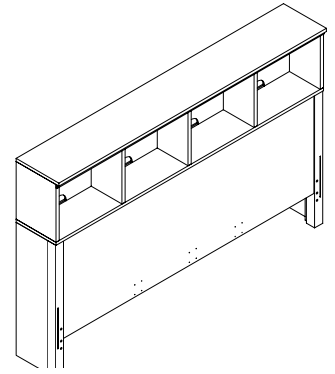
Please read all instructions carefully before assembling.  
For your safety, assembly by two people is recommended.

### PARTS INCLUDED:

- (1) Top Panel (A)
- (2) Top side panel (Left-Right) (B)
- (3) Divider (C)
- (1) Shelf (D)
- (1) Back panel (E)
- (1) Front Bottom Panel (F)
- (2) Bottom side panel (Left –Right) (G)
- (1) Stretcher at back (Top) (H)
- (1) Stretcher at back ( Bottom) (I)

### HARDWARE ENCLOSED:

- (1) Allen Key (J) 
- (24) ¼" x 28mm Allen Bolt (K) 
- (24) ¼" Spring Washer (L) 
- (24) ¼" Flat Washer (M) 
- (8) 4 x 30mm Long Wooden Screws (N) 
- (6) 4 x 25mm Medium Wooden Screws (T) 
- (4) 3 x 12mm Small Wooden Screw (U) 
- (4) Connecting bracket square (O)



### PRE-ASSEMBLY:

- Remove all parts and hardware from the box and lay out on a clear, carpeted or scratch-free work surface. (The shipping box provides an ideal work surface), this will avoid damaging any parts during assembly. Do not dispose of any contents until assembly is completed to avoid accidentally discarding small parts or hardware.
- Use the parts and hardware lists above to identify and separate each of the pieces included.
- The illustrations provided allow for easier assembly when used in conjunction with the assembly instructions.
- Note: Do not fully tighten all bolts until all parts are in place. Failure to follow these instructions may cause the bolts to misalign during assembly.
- If using power tools to aid in assembly please use caution. Power tools can damage hardware or split wood.

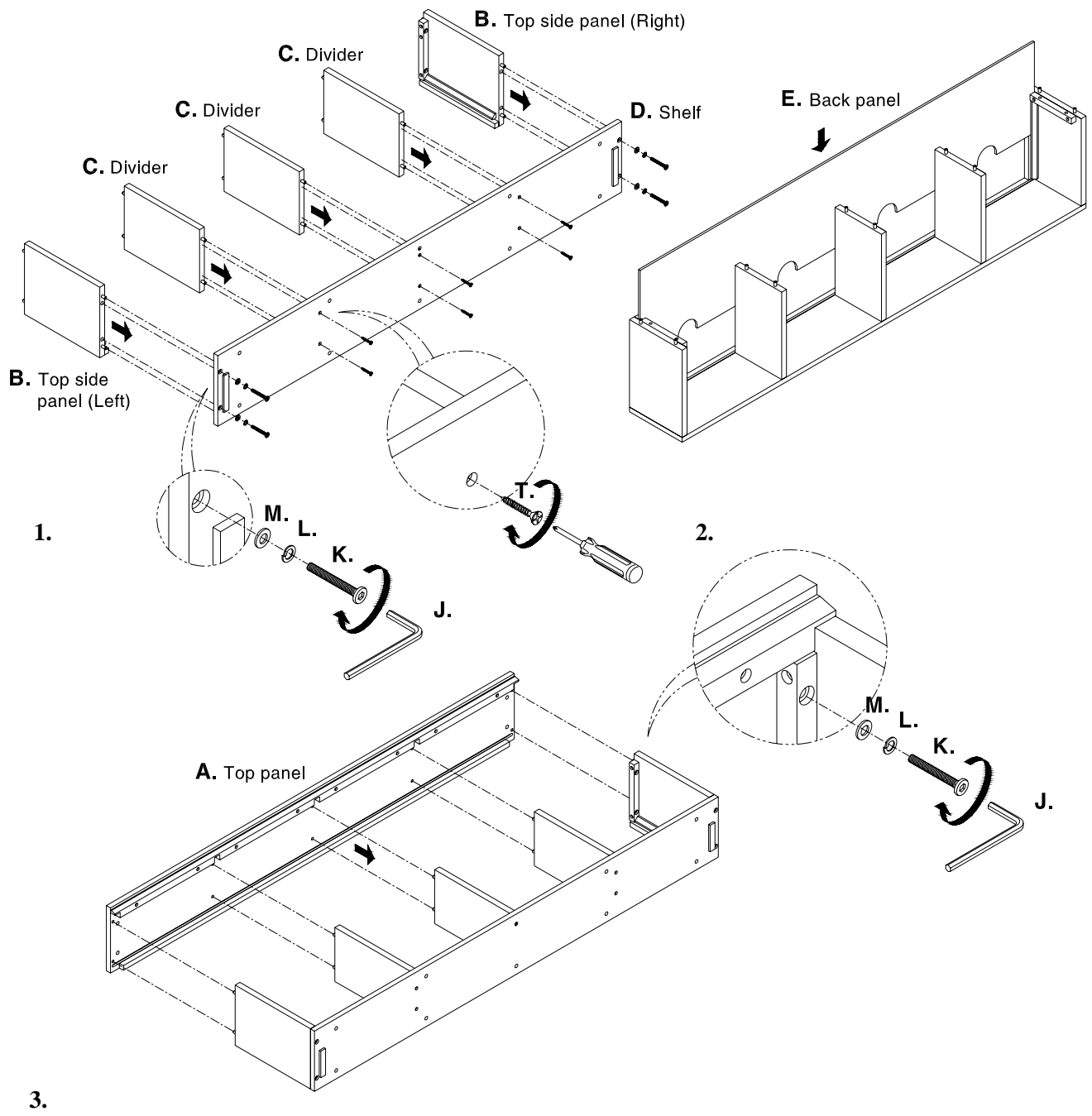
### ASSEMBLY INSTRUCTIONS:

1. Attach Top Side Panels (B) each side with Shelf (D) and secure Divider (C) by using (2) Screws (T) as shown and secure Top Side Panels (B) by using (4) Allen Bolts, Flat Washers & Spring Washers as shown.
2. Reversed the assembled piece on a dust free carpet. Insert Back Panel (E) as shown.
3. Place Top Pane (A) onto assembled piece and secure using (4) Allen Bolts, Flat Washers & Spring Washers to complete Top piece assembly. Note: The correct order for the washers to go on the Allen Bolt is: Spring Washer first, Flat Washer second. Please see diagram.
4. To assemble bottom piece of Storage Headboard, secure Bottom Side Panel (G) with Bottom Front Panel (F) using (6) Allen Bolts, Flat Washers & Spring Washers. And attach Back Stretcher Top (H) and Back Stretcher Bottom (I) with (8) screws (N) as shown to complete assembly of Storage Headboard Bottom piece.
5. Connecting Top Piece and Bottom Piece together with (10) Allen Bolts, Flat Washers & Spring Washers to complete assembly.
6. If connecting with Cameron Wall Cubby piece, using Squire Bracket (O) provided with (4) screws (U) to secure as shown.

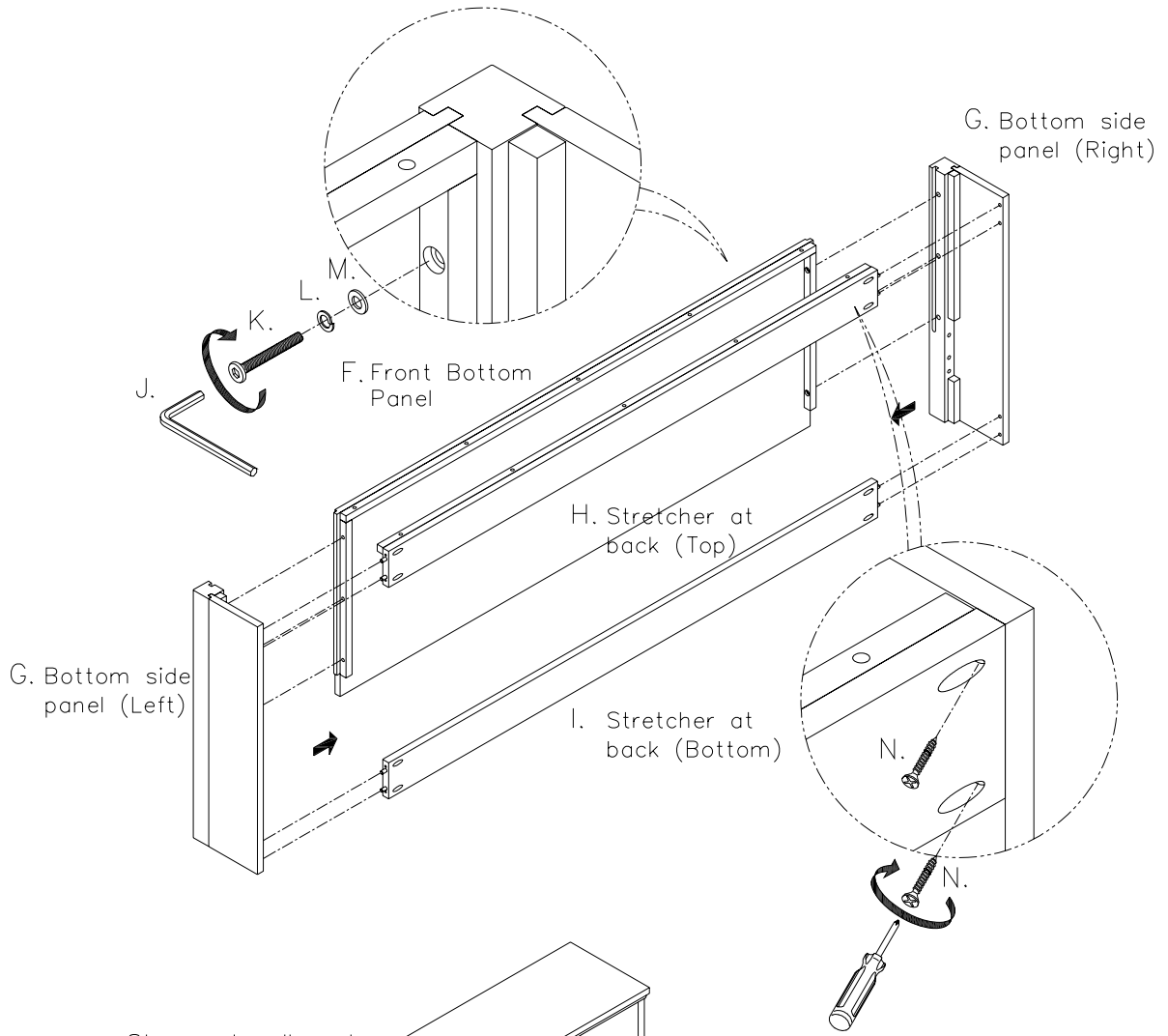
### CARE INSTRUCTIONS:

- Dust with a clean, soft cloth.
- Avoid the use of chemicals and harsh cleaning agents.
- Do not climb on the Cubby.

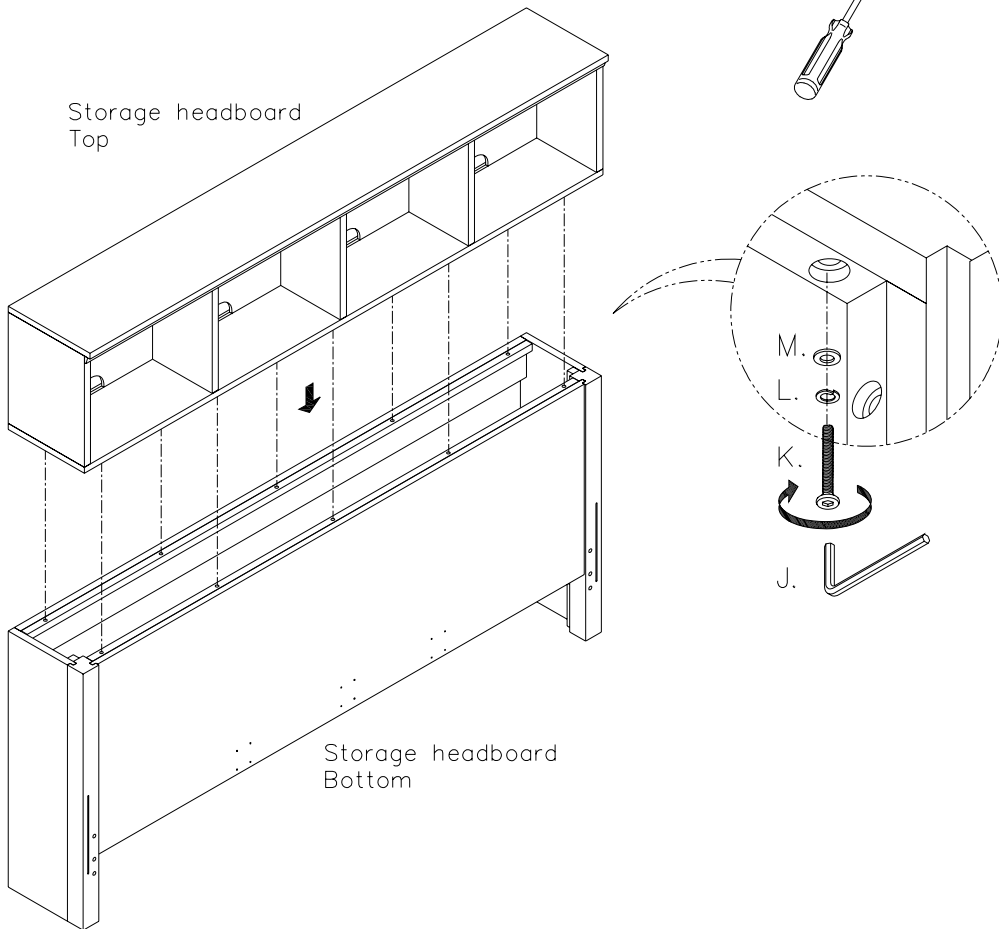
Thank you for your purchase.

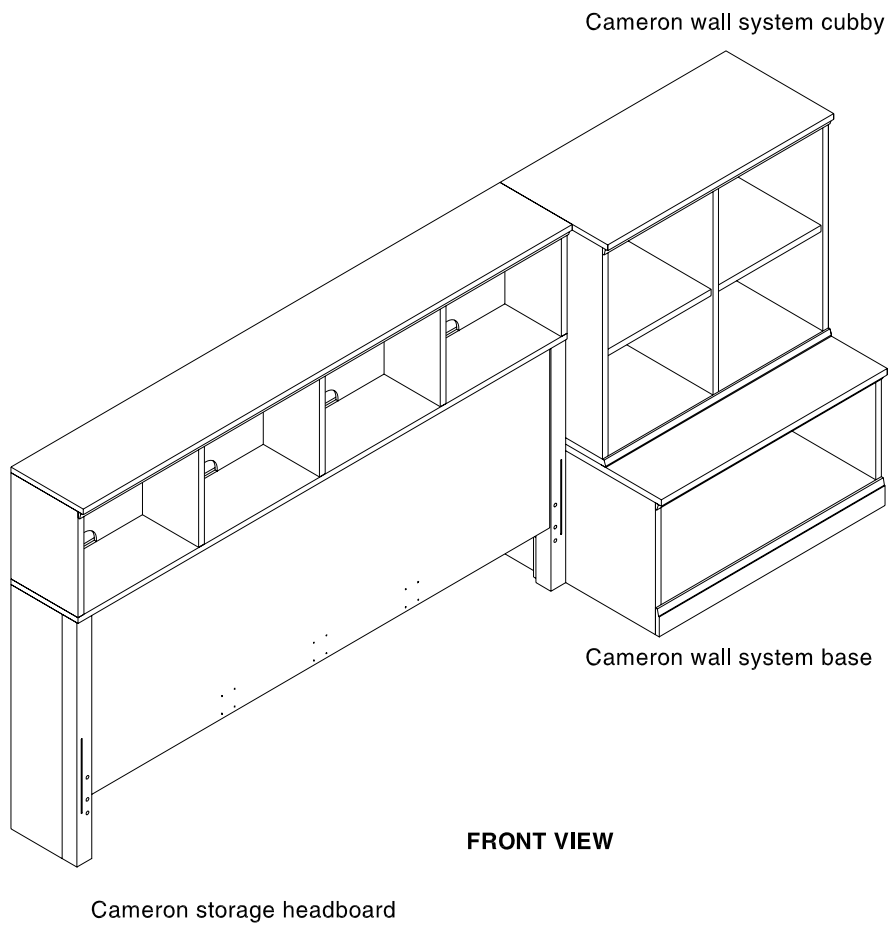
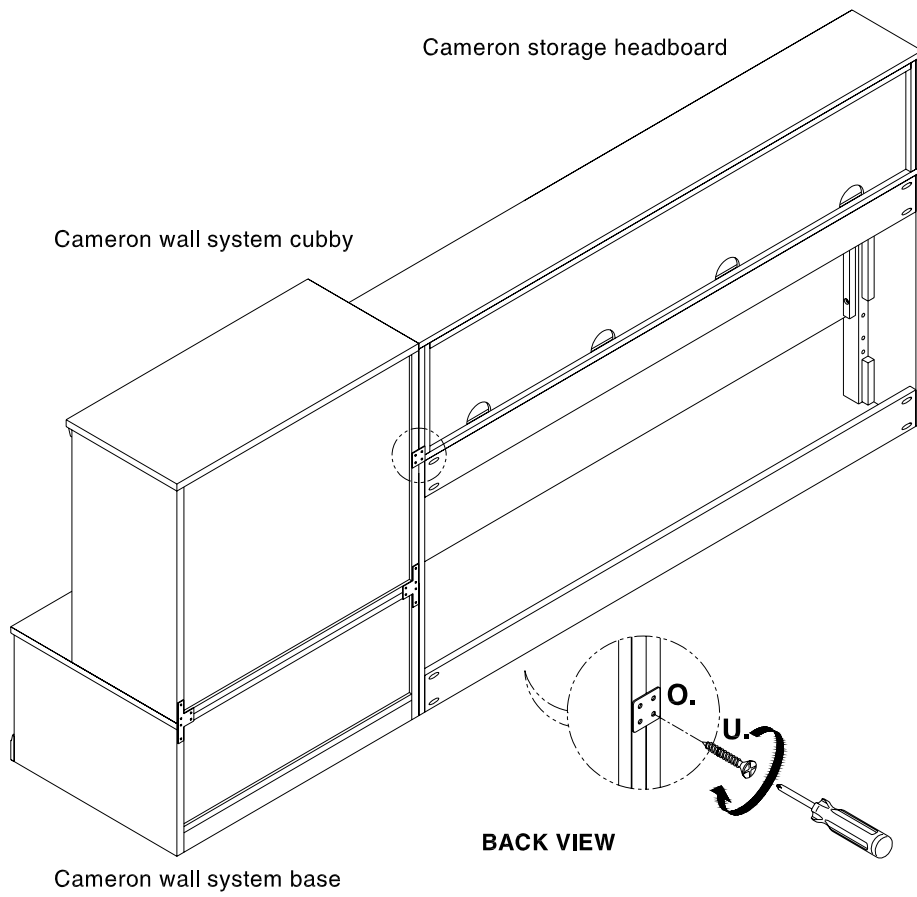


4.



5.





# pottery barn kids

## CAMERON STORAGE BED QUEEN




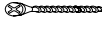
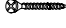

### IMPORTANT SAFETY INSTRUCTIONS:

Please read all instructions carefully before assembling.  
For your safety, assembly by two people is recommended.

### PARTS INCLUDED:

- (1) Storage headboard (A)
- (1) Platform bed FB (B)
- (2) Side rail (C)
- (1) Slat (D)
- (1) Support slat (E)
- (3) Support center (F)

### HARDWARE ENCLOSED:

- (1) Allen Key (G) 
- (8) 1/4" x 35mm Allen Bolt (H) 
- (8) 1/4" Spring Washer (I) 
- (8) 1/4" Flat Washer (J) 
- (30) 4 x 30mm Long Wooden Screws (K) 
- (8) 4 x 15mm Short Wooden Screws (L) 
- (2) "L" Bracket (M) 

\*\* Hardware is packed in Platform Bed Queen Footboard/Siderail/Slat package.

### PRE-ASSEMBLY:

- Remove all parts and hardware from the box and lay out on a clear, carpeted or scratch-free work surface. (The shipping box provides an ideal work surface), this will avoid damaging any parts during assembly. Do not dispose of any contents until assembly is completed to avoid accidentally discarding small parts or hardware.
- Use the parts and hardware lists above to identify and separate each of the pieces included.
- The illustrations provided allow for easier assembly when used in conjunction with the assembly instructions.
- Note: Do not fully tighten all bolts until all parts are in place. Failure to follow these instructions may cause the bolts to misalign during assembly.
- If using power tools to aid in assembly please use caution. Power tools can damage hardware or split wood.

### ASSEMBLY INSTRUCTIONS:

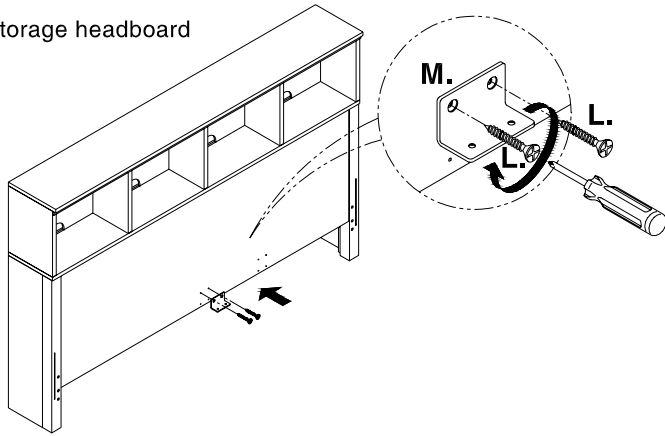
1. Secure L Bracket (M) onto the desired position on Storage Headboard (A) and Footboard (B) as shown.
2. Determine the desired location of bed. One person should hold the headboard (A) in a vertical position tilted slightly forward. Attach each side rail (C) to the headboard by inserting the hooked ends of the side rail into the corresponding slots in the headboard, as shown. Be sure the small ledge on each side rail is facing inward. Repeat with footboard (B).
3. Secure Center Support (F) with Support Slat (E) using (6) Allen Bolts, Flat Washers & Spring Washers. Note: The correct order for the washers to go on the Allen Bolt is: Spring Washer first, Flat Washer second. Please see diagram.
4. Place slat roll onto the side rails, using the stoppers on the end of ledge to prevent the slat roll from moving. Adjust the center support rail to ensure the pre-drilled holes in slat rails and the pre-threaded holes in the center support rail are in alignment. Insert bolts (H) with spring washers (I) and flat washers (J) into the pre-drilled holes, and tighten with Allen Key (G). Secure slats with (30) wood screws (K) using a Phillips screwdriver as shown.

### CARE INSTRUCTIONS:

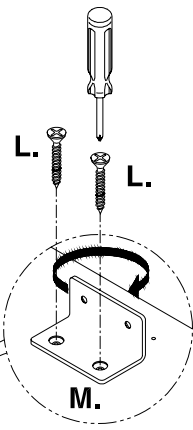
- Dust with a clean, soft cloth.
- Avoid the use of chemicals and harsh cleaning agents.
- Do not climb on the Cubby.

Thank you for your purchase.

**A. Storage headboard**



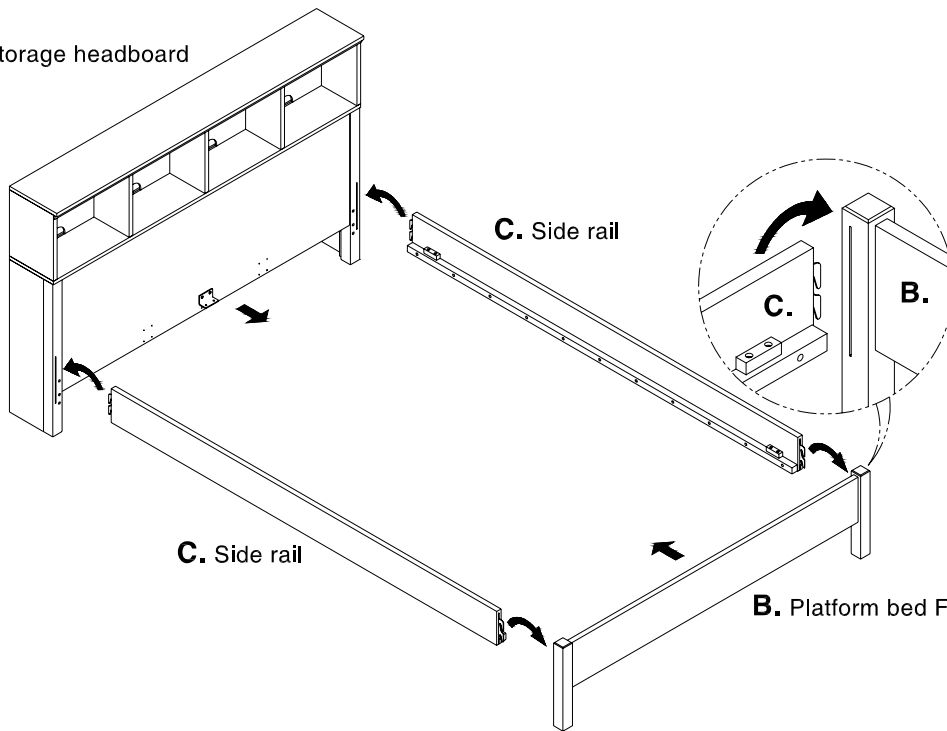
1.



**B. Platform bed FB**

2.

**A. Storage headboard**



3.

**C. Side rail**

**B. Platform bed FB**

