

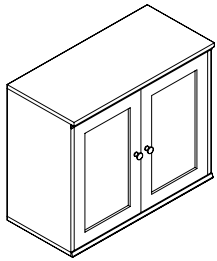
pottery barn kids

cameron cubby with doors

cameron creativity cabinet with chalkboard / corkboard

IMPORTANT SAFETY INSTRUCTIONS:

Please read all instructions carefully before assembling.
For your safety, assembly by two people is recommended.








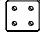
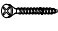



PARTS INCLUDED:

- (1) Top Panel (A)
- (1) Bottom Panel (B)
- (1) Shelf (C)
- (2) Door Panel (D)
- (1) Left Side Panel (E-1)
- (1) Right Side Panel (E-2)
- (1) Back Panel (F)

TIP KIT PARTS:

- (1) Plastic Restraint (M)
- (2) Plastic Wall Brackets (N)
- (2) Long Screws (L)
- (2) Short Screws (O)

HARDWARE ENCLOSED:

- (1) Allen Key (G) 
- (8) 1/4" x 30mm Allen Bolt (H) 
- (8) 1/4" Spring Washer (I) 
- (8) 1/4" Flat Washer (J) 
- (2) T-Shape Connecting Bracket (K) 
- (1) Square Connecting Bracket (S) 
- (16) 5/32" x 12mm Wooden Screws (T) 
- (2) Small Bolt (P) 
- (4) Plastic Cap (Q) 
- (2) Wooden Knob (R) 

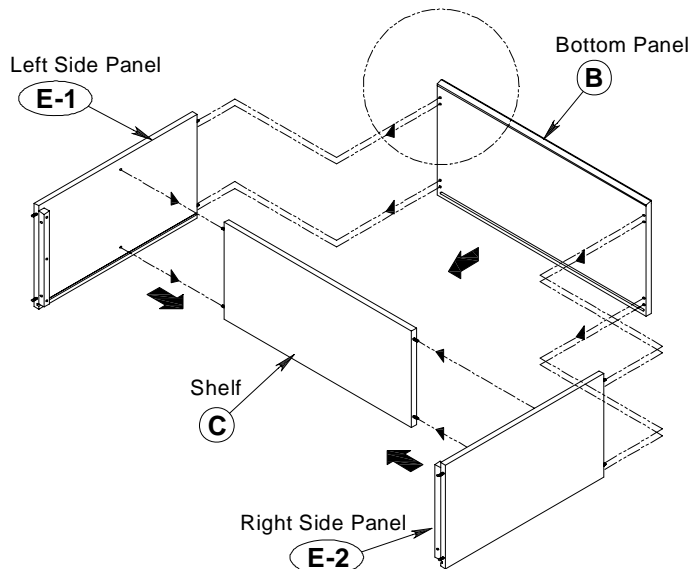
PRE-ASSEMBLY:

- Remove all parts and hardware from the box and lay out on a clear, carpeted or scratch-free work surface. (The shipping box provides an ideal work surface), this will avoid damaging any parts during assembly. Do not dispose of any contents until assembly is completed to avoid accidentally discarding small parts or hardware.
- Use the parts and hardware lists above to identify and separate each of the pieces included.
- The illustrations provided allow for easier assembly when used in conjunction with the assembly instructions.
- Note: Do not fully tighten all bolts until all parts are in place. Failure to follow these instructions may cause the bolts to misalign during assembly.
- If using power tools to aid in assembly please use caution. Power tools can damage hardware or split wood.

ASSEMBLY INSTRUCTIONS:

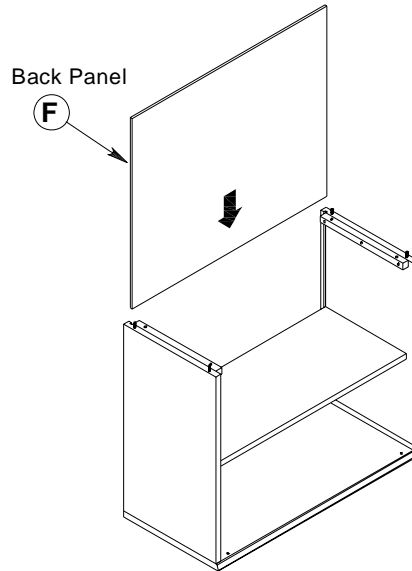
1. Carefully attach the Right/Left Side Panels (E-1 & E-2) to the Shelf (C). Secure the Bottom Panel (B) to the assembled piece using (4) Allen Bolts, Flat Washers & Spring Washers. Note: The correct order for the washers to go on the Allen Bolt is: Spring Washer first, Flat Washer second. (Fig. 1)

(Fig. 1)



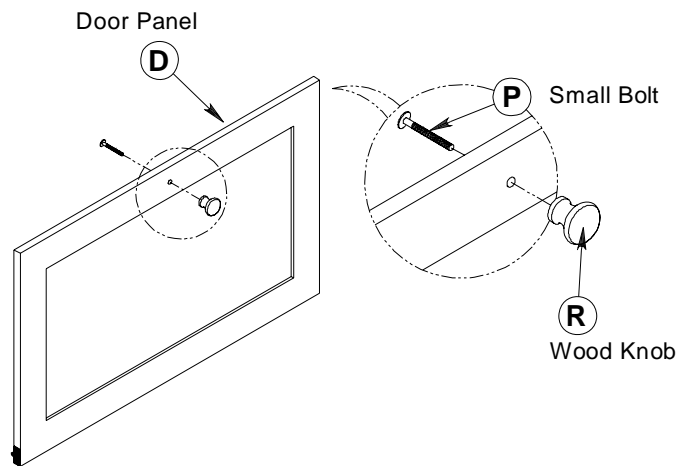
- Slide the Back Panel (F) into the slots on the Side Panels as shown. (Fig. 2)

(Fig. 2)



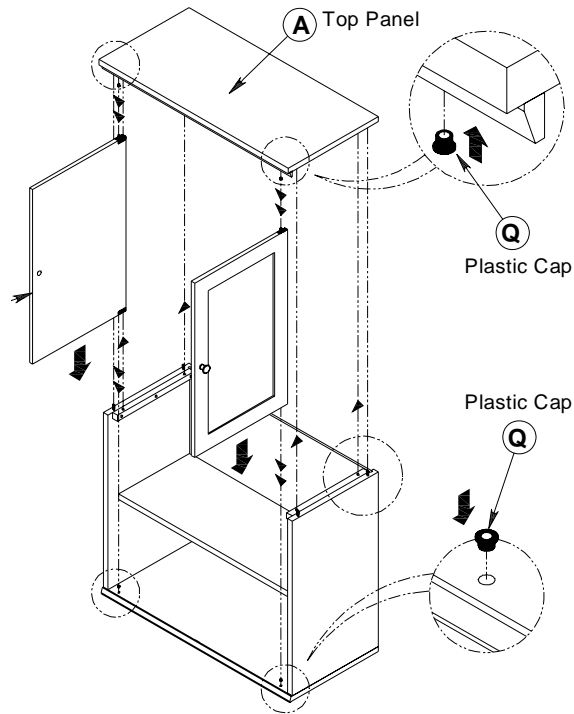
- Attach the Wooden Knobs (R) to the Door Panels (D) securing by Small Bolt (P) as shown. (Fig. 3)

(Fig. 3)

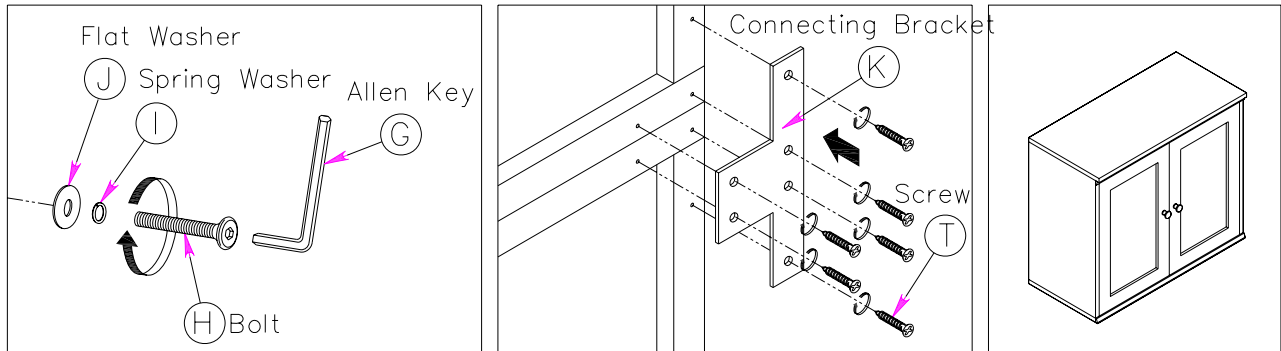


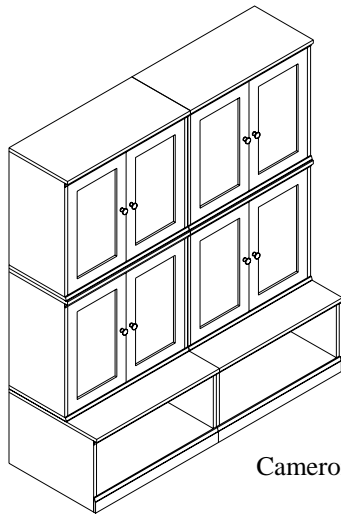
4. Insert the Plastic Caps (Q) into the pre-drilled holes on Top/Bottom Panels (A&B). Place the Top Panel (A) on the assembled piece. Lift the Top Panel a little bit to allow the Door Panels into the Plastic Caps (Q) on Top/Bottom panels. Check alignment and secure the Top Panel with the remaining (4) Allen Bolts, Flat Washers & Spring Washers. (Fig. 4)

(Fig. 4)

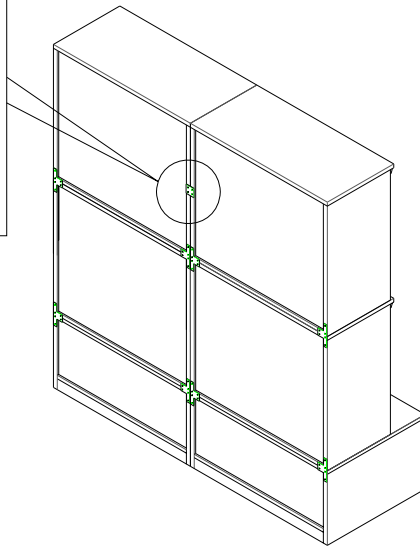
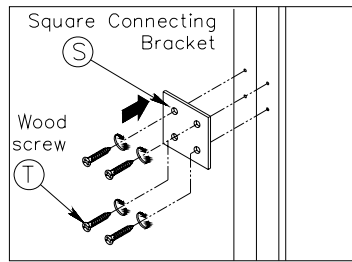


5. If connecting Cubby piece to Base piece, use (12) Screws (T) and (2) Connecting Brackets (K) as shown. Screws are self-drilling and are designed to go into wood easily. (Remaining (2) Screws are for the Tip Kit, which has separate instructions).
6. If connecting Cubby piece to Cubby piece, use (4) screws (T) and (1) Square Connecting Bracket (S) as shown. Screws are self-drilling and are designed to go into wood easily.

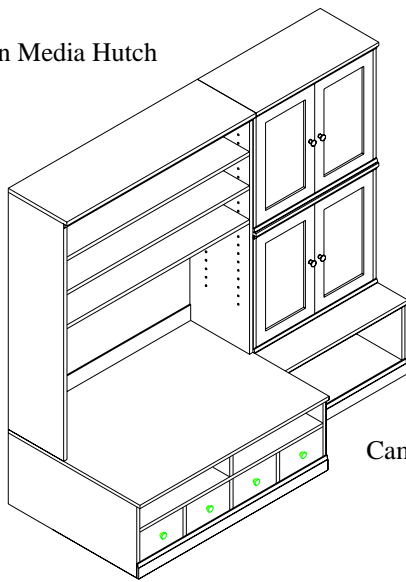




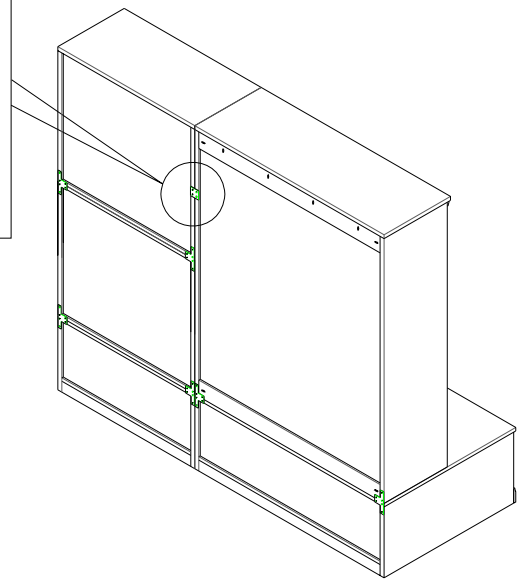
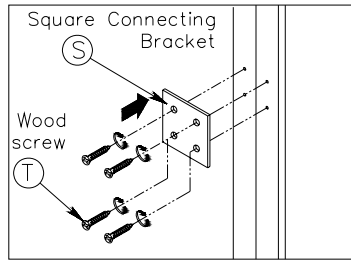
Cameron Wall System Base



Cameron Media Hutch



Cameron Media Base



7. Fully tighten all the screws and bolts to complete the assembly.

CARE INSTRUCTIONS:

- Dust with a clean, soft cloth.
- Avoid the use of chemicals and harsh cleaning agents.
- Do not climb on the Cubby.

Thank you for your purchase.

stores | catalog | www.potterybarnkids.com
USA 1.800.290.8181

pottery barn kids

TIP RESTRAINT KIT

IMPORTANT SAFETY INSTRUCTIONS:

Please read all instructions carefully before assembling.

WARNING: This product is only a deterrent. It is not a substitute for proper adult supervision.

Young children may be injured by tipping furniture and the use of a tipping restraint is highly recommended. When properly installed, this restraint could provide protection against the unexpected tipping of furniture. We recommend mounting this restraint to a wall stud.

All Parts and Hardware are included with the Cameron Wall Cubby.

PARTS INCLUDED

- (1) Plastic Restraint (M)
- (2) Plastic Wall Brackets (N)

HARDWARE NEEDED

- (2) Long Screws (L)
- (2) Short Screws (O)

Note: For safe mounting it is essential to use the proper hardware for your wall type. The included hardware is for drywall or stud mounting only. For other wall types (ie: plaster, concrete, brick...) please consult your local hardware store.

1. Locate a wall stud behind your furniture. Position a bracket on the stud approximately 1" below the top of the furniture. Mark and drill pilot hole into the center of the stud with a 3/32" drill bit. Attach a bracket to the stud with the long screws provided.
2. On the back of the furniture, a bracket will need to be attached to the furniture frame at the top. To do this, temporarily move the furniture into its final position and mark the location of the wall bracket on the furniture frame. Move the furniture away from the wall and place a bracket on the mark. Mark and drill holes for screws with 3/32" drill bit. Attach the bracket to the furniture with the short screws provided.
3. Move the furniture into this final position, taking care to line up the wall bracket with the furniture bracket. Thread a strap through the bracket as shown in the illustration. Tighten strap until snug. Do not over tighten.

