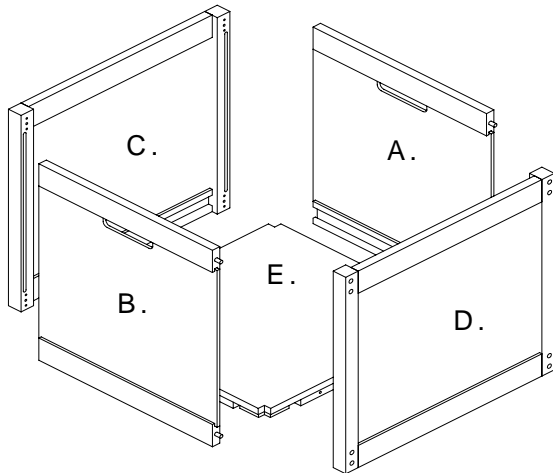


pottery barn kids

CAMERON CREATIVITY CART

PRE-ASSEMBLY:





- For your safety and ease, assembly by two adults is recommended.
- Please read all instructions before beginning assembly. The illustrations provided allow for easier assembly when used in conjunction with the assembly instructions.
- Remove all parts and hardware from box and lay out on a carpeted or scratch-free work surface. The shipping box provides an ideal work surface. Do not dispose of any contents until assembly is completed to avoid accidentally discarding small parts or hardware.
- Use the parts and hardware lists to identify and separate each of the pieces included prior to starting assembly.
- Note: Do NOT fully tighten the bolts until all parts are in place. Failure to follow these instructions may cause the bolts to misalign during assembly.
- If using power tools to aid in assembly please use caution. Power tools can damage hardware or split wood.




PARTS INCLUDED:

- (A) Front Side Panel – 1pc
- (B) Rear Side Panel – 1pc
- (C) Right Side Panel – 1pc
- (D) Left Side Panel – 1pc
- (E) Bottom Panel – 1pc

HARDWARE INCLUDED:

 (F) Small Wood Screw 4 x 19mm – 16pcs	 (G) Long Wood Screw 4 x 38mm – 16pcs	 (H) Medium Wood Screw 4 x 30mm – 8pcs
 (I) Caster – 4pcs		

TOOLS REQUIRED:

Philips Screwdriver (Not included) 

ASSEMBLY INSTRUCTIONS:

1. Align and attach the wooden dowels on the Front/Rear Side Panels (A & B) to the pre-drilled holes on the Right Side Panel (C) using (8) Long Wood Screws (G). Make sure the slots on the Front/Rear Side Panels face inwards (Figure 1).

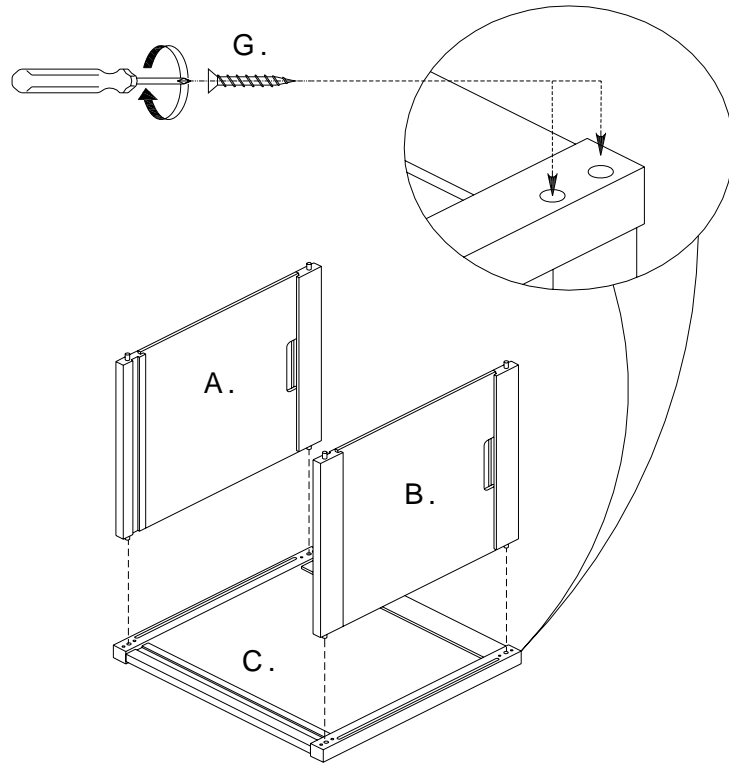


Figure 1

2. Slide the Bottom Panel (E) into the slots on the assembled piece (Figure 2).

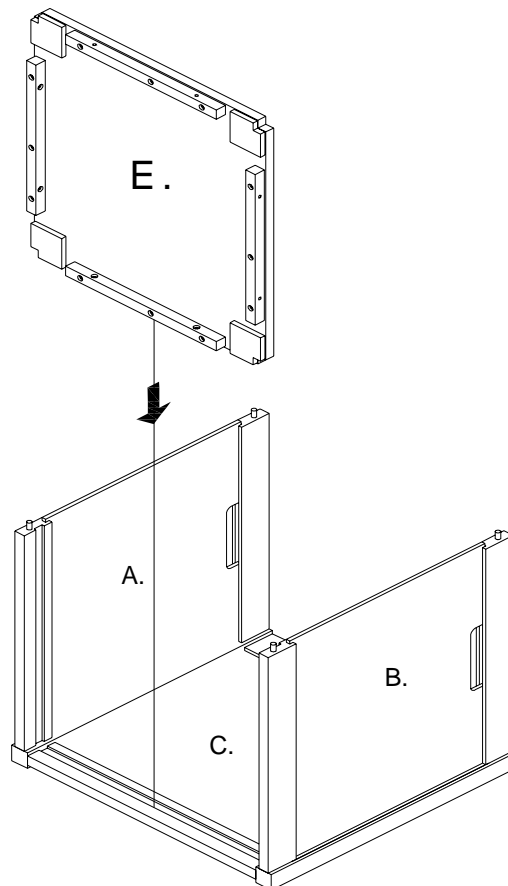


Figure 2

3. Align the predrilled holes on the Left Side Panel (D) to the wooden dowels on the Front/Rear Side Panels. Secure with remaining (8) Long Wood Screws (G). Attach the Bottom Panel (E) to the 4 Side panels using (8) Medium Wood Screws (H) (Figure 3).

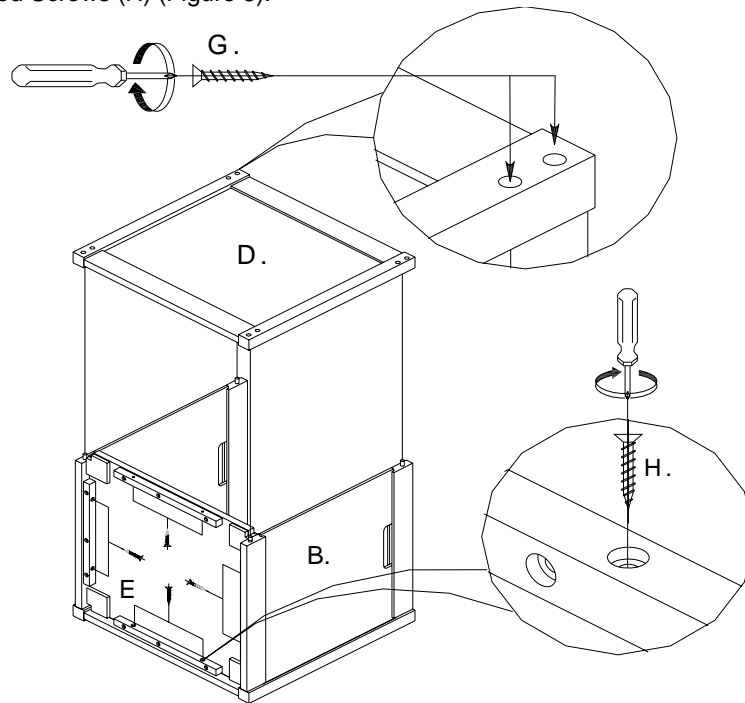


Figure 3

4. Place the assembled piece upside down on a carpeted, scratch-free work surface. Attach the (4) Casters (I) to the pre-drilled holes on the Bottom Panel (E) using (16) Short Wood Screws (F).

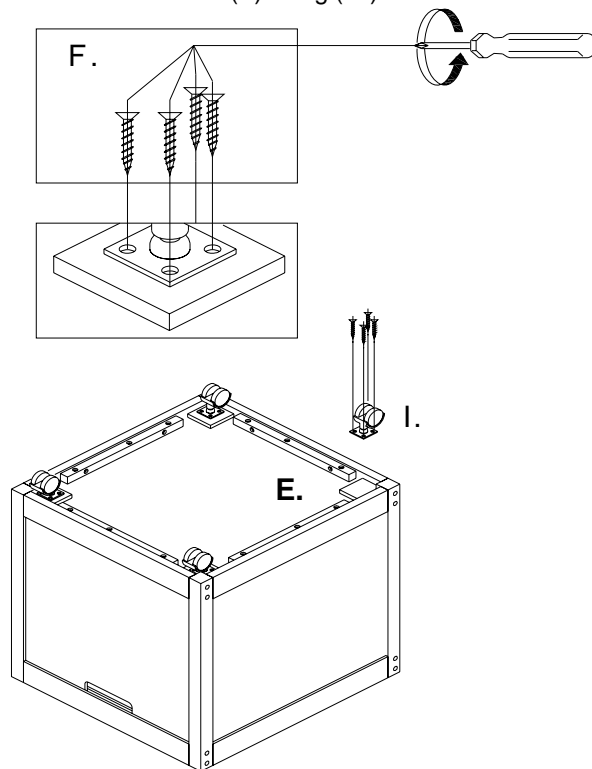


Figure 4

CARE INSTRUCTIONS:

- Dust often using a clean, soft, dry lint-free cloth.
- Blot spills immediately, and wipe with a clean, damp, cloth.
- We do not recommend the use of chemical cleansers, abrasives, or furniture polish on our lacquered finish.

Thank you for your purchase.
stores | catalog | www.potterybarnkids.com
USA 1.800.290.8181