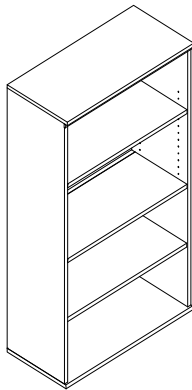


pottery barn kids

Cameron Bookcase Hutch

PRE-ASSEMBLY:

- For your safety and ease, assembly by two adults is recommended.
- Please read all instructions before beginning assembly. The illustrations provided allow for easier assembly when used in conjunction with the assembly instructions.
- Remove all parts and hardware from box and lay out on a carpeted or scratch-free work surface. The shipping box provides an ideal work surface. Do not dispose of any contents until assembly is completed to avoid accidentally discarding small parts or hardware.
- Use the parts and hardware lists to identify and separate each of the pieces included prior to starting assembly.
- Note: DO not fully tighten the bolts until all parts are in place. Failure to follow these instructions may cause the bolts to misalign during assembly.
- The use of power tools for assembly is not recommended. Power tools can damage hardware or split wood.

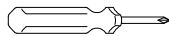


PARTS INCLUDED:



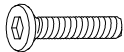




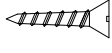
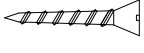

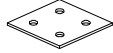
- | | |
|-----------------------------|----------------------------|
| (A) Top Panel – 1pc | (F) Right Side Panel – 1pc |
| (B) Bottom Panel – 1pc | (G) Left Side Panel – 1pc |
| (C) Adjustable Shelf – 2pcs | (H) Big Back Panel – 1pc |
| (D) Fixed Shelf – 1pc | (I) Small Back Panel -1pc |
| (E) Top Rear Rail – 1pc | |

TOOLS REQUIRED:

Philips Screwdriver (Not included)

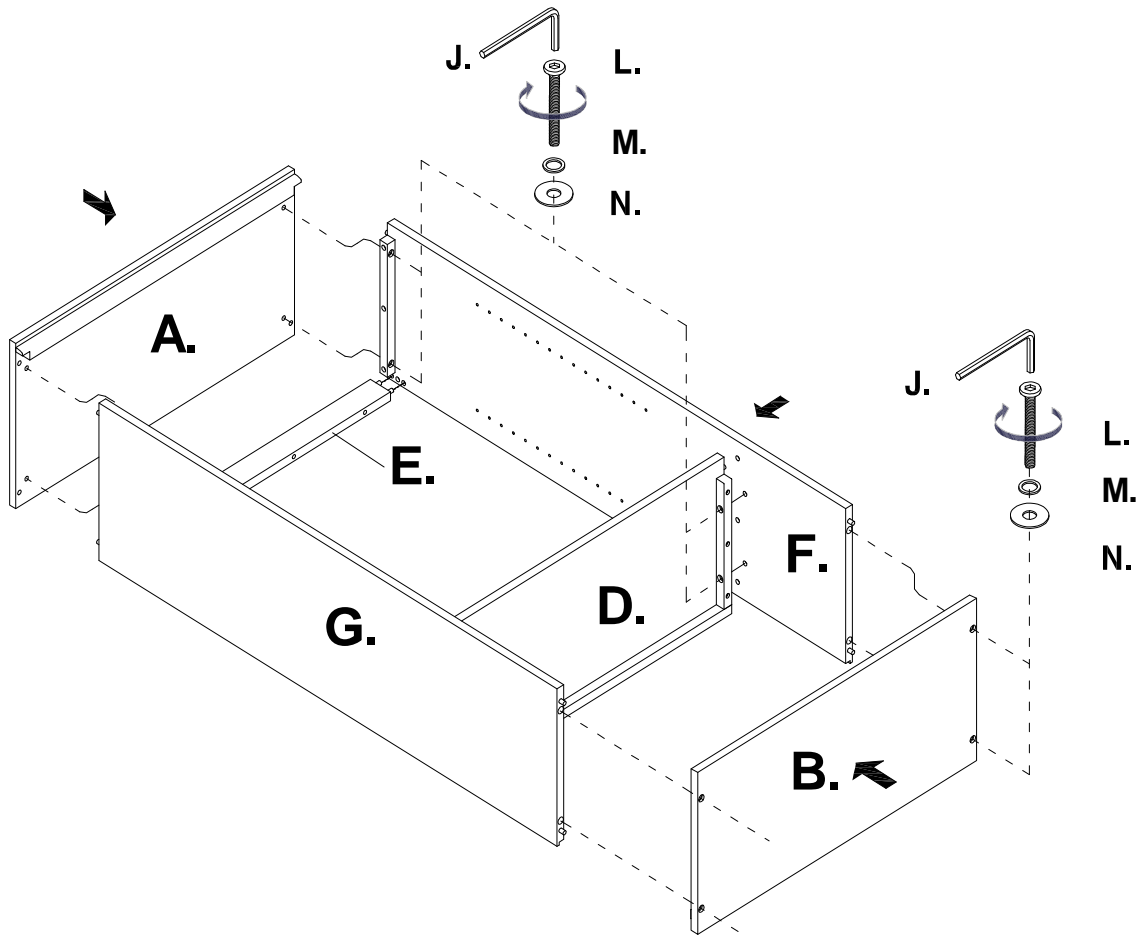


HARDWARE INCLUDED:

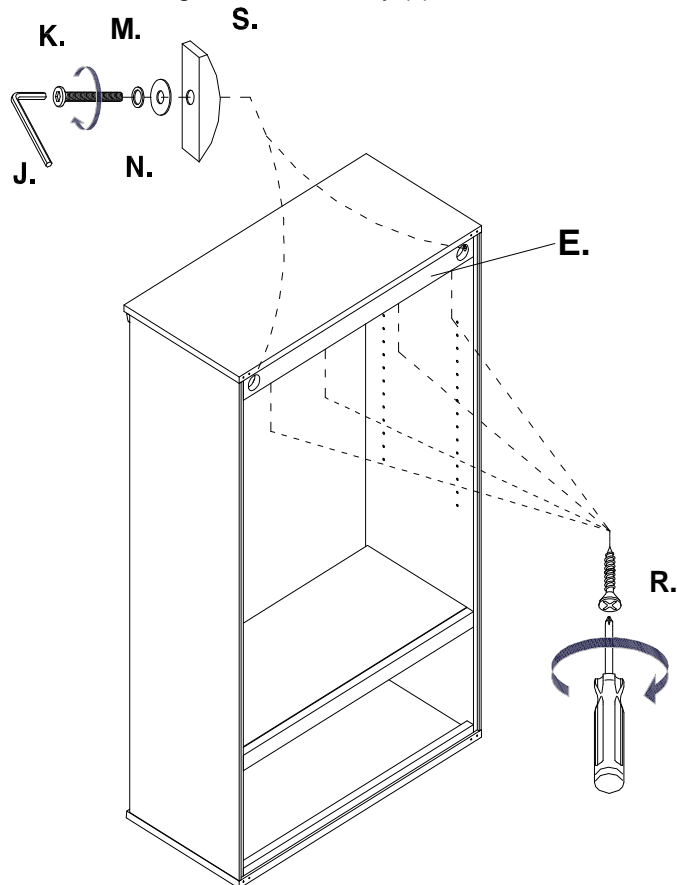
			
(J) Allen Key – 1pc	(K) Long Allen Bolt 1/4"x40mm – 2pcs	(L) Short Allen Bolt 1/4"x28mm -12pcs	(M) Spring Washer – 14pcs
			
(N) Flat Washer – 14pcs	(O) Shelf Supporter – 8pcs	(P) Short Wood Screw 3x12mm – 16pcs	(Q) Medium Wood Screw 4x19mm – 43pcs
			
(R) Long Wood Screw 4x38mm – 4pcs	(S) Half-Moon Metal Block – 2pcs	(T) Square Bracket – 4pcs	

ASSEMBLY INSTRUCTIONS:

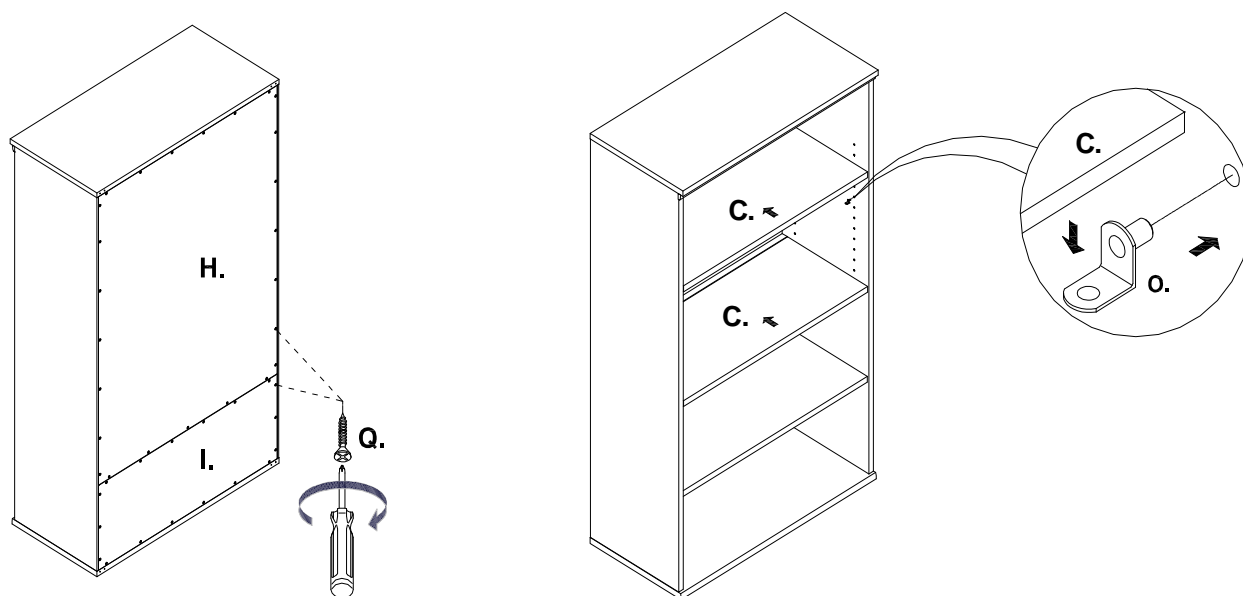
1. Connect the Left/Right Side Panels (G&F) with the Top Rear Rail (E) and Fixed Shelf (D). To fasten the Fixed Shelf (D) to the Left/Right Side Panels (G&F), slide a Spring Washer (M), Flat Washer (N) onto a Short Allen Bolt (L) and insert the Short Allen Bolt (L) from cleat located under the Fixed Shelf (D) into the pre-drilled holes on Left/Side Panels (G&F).
2. Align and attach the Top/Bottom Panels (A&B) to the wooden dowels located on the side panels. Slide a Spring Washer (M), Flat Washer (N) onto a Short Allen Bolt (L) and use the Short Allen Bolt to secure the Top/Bottom Panels (A&B) to the side panels. (Fig. 1)



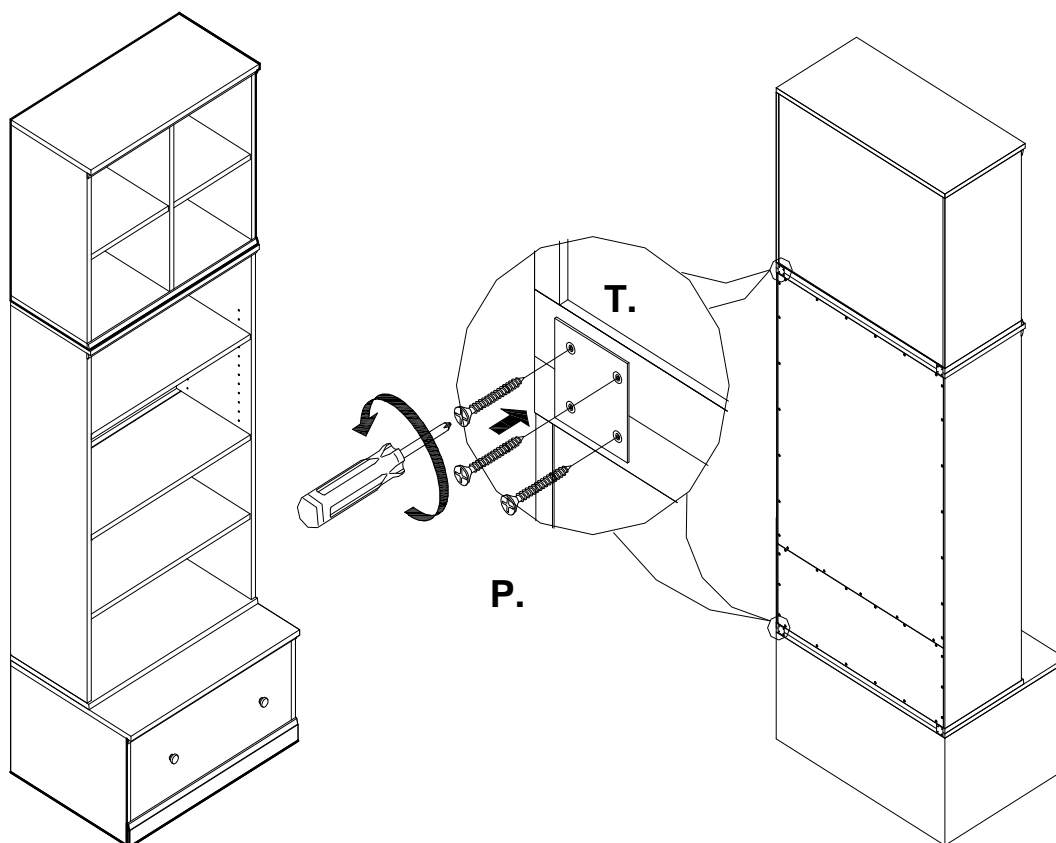
- Upright the assembled unit. Secure the Top Rear Rail (E) to the Top Panel by using (4) Long Wood Screws (R).
- Slide a Spring Washer (M), Flat Washer (N) and a Half-Moon Metal Block (S) onto a Long Allen Bolt (K). Insert the Long Allen Bolt from round cut-out located on the Top Rear Rail (E) into the pre-drilled hole on the Left/Right Side Panels securing with an Allen key (J).



- Secure the Big/Small Back Panels (H&I) to the assembled unit by using Medium Wood Screws (Q).
- Insert (8) Shelf Supporters (O) into the corresponding pre-drilled holes on side panels. Place the (2) Adjustable Shelf (C) on the Shelf Supporters.



- When connect the Bookcase Hutch to other Cameron Wall System units (sold separately), use the Square Bracket (T) and Short Wood Screws (P).



CARE INSTRUCTIONS:

- Dust often using a clean, soft, dry lint-free cloth.
- Blot spills immediately, and wipe with a clean, damp, cloth.
- We do not recommend the use of chemical cleansers, abrasives, or furniture polish on our lacquered finish.

Thank you for your purchase.
 stores | catalog | www.potterybarnkids.com
 USA 1.800.290.8181