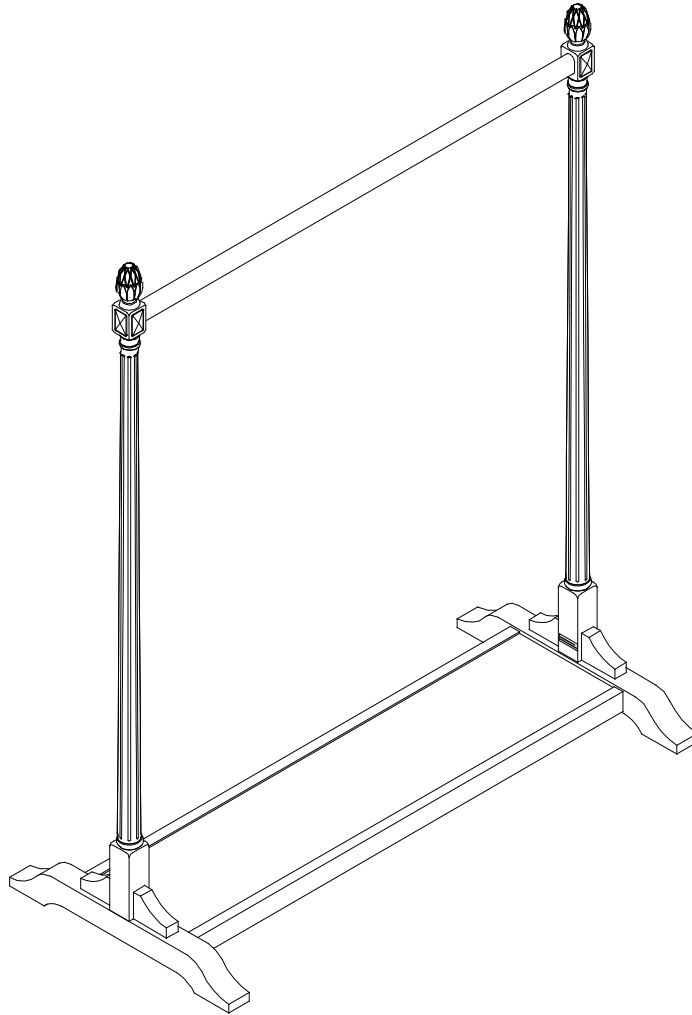


pottery barn kids



**BLYTHE WARDROBE RACK**

[www.potterybarnkids.com](http://www.potterybarnkids.com)

**IMPORTANT SAFETY INSTRUCTIONS:**

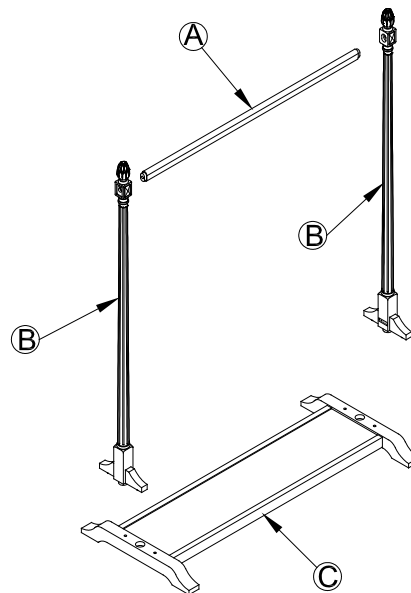
- Please read all instructions carefully before assembling.
- For your safety, assembly by two or more adults is strongly recommended.
- Keep these instructions for future use.
- Use only vendor-supplied hardware to assemble this item. Using unauthorized hardware could jeopardize the structural integrity of the wardrobe rack.

**PRE-ASSEMBLY:**

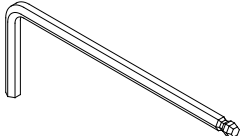
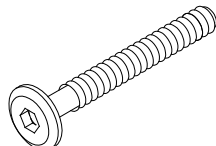
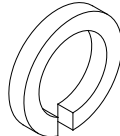
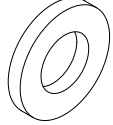
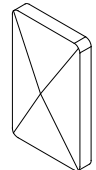
- Remove all parts and hardware from the box. Place all items on a carpeted or scratch-free work surface, as this will avoid damaging parts during assembly. The shipping box provides an ideal work surface.
- To avoid accidentally discarding small parts or hardware, do not dispose of any packaging or contents of the shipping carton until assembly is complete.
- Use the parts and hardware lists below to identify and separate each of the pieces included.
- The illustrations provided allow for easier assembly when used in conjunction with the assembly instructions.
- The use of power tools to aid in assembly is not recommended. Power tools can damage the hardware and split the wood.
- **Note:** Do not fully tighten all bolts until all parts are in place. Failure to follow these instructions may cause the bolts to misalign during assembly.

**PARTS INCLUDED:**

- (A) Hanging bar (x1)
- (B) Post (x2)
- (C) Base (x1)



**HARDWARE INCLUDED:**

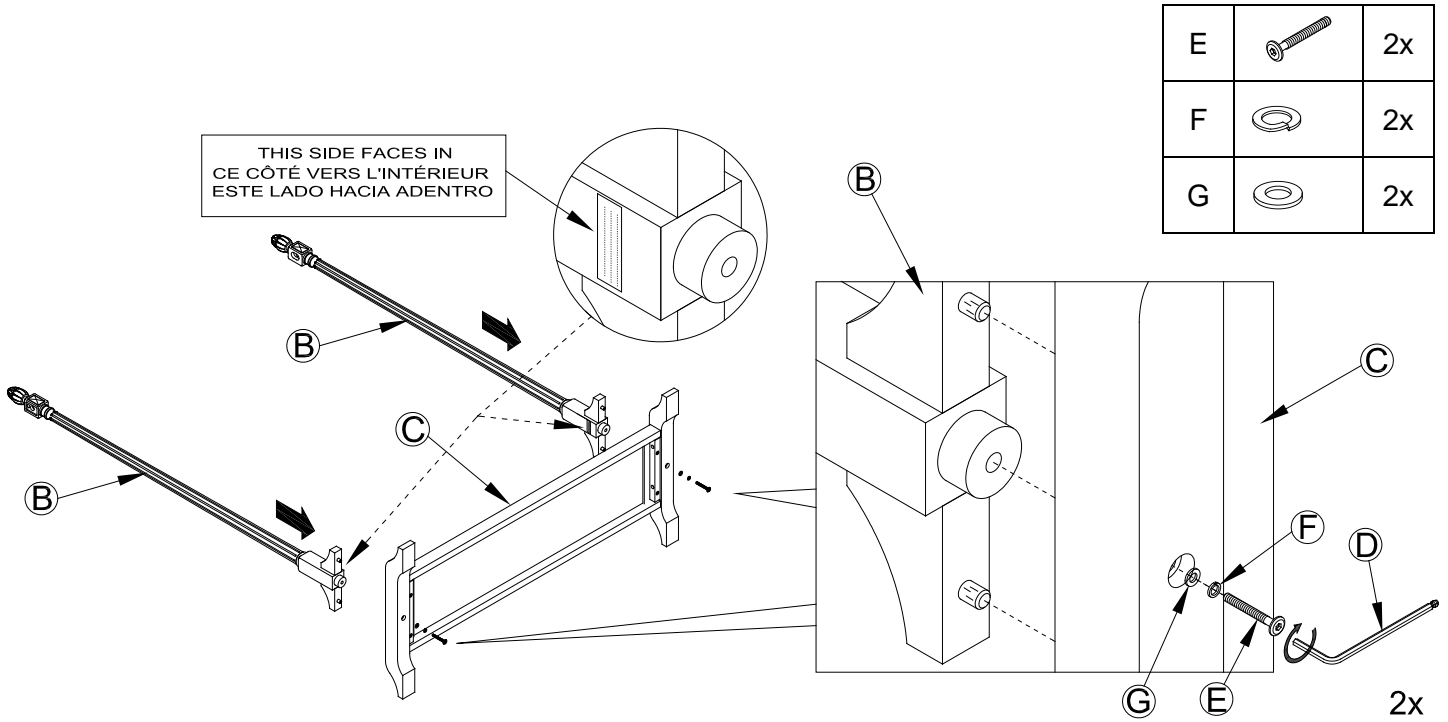
<p>(D) Allen Key with ball tip – 1x</p> 	<p>(E) Allen bolt 1/4"x45mm – 4x</p> 	<p>(F) Spring Washer 1/4" – 4x</p> 	<p>(G) Flat Washer 1/4" –4x</p> 
<p>(H) Magnetic Decor Cover – 2x</p> 			

**ASSEMBLY INSTRUCTION STEPS:**




1. Attach (B) to (C) by aligning wooden dowels on (B) with pre-drilled holes on (C), as seen in the illustration below.

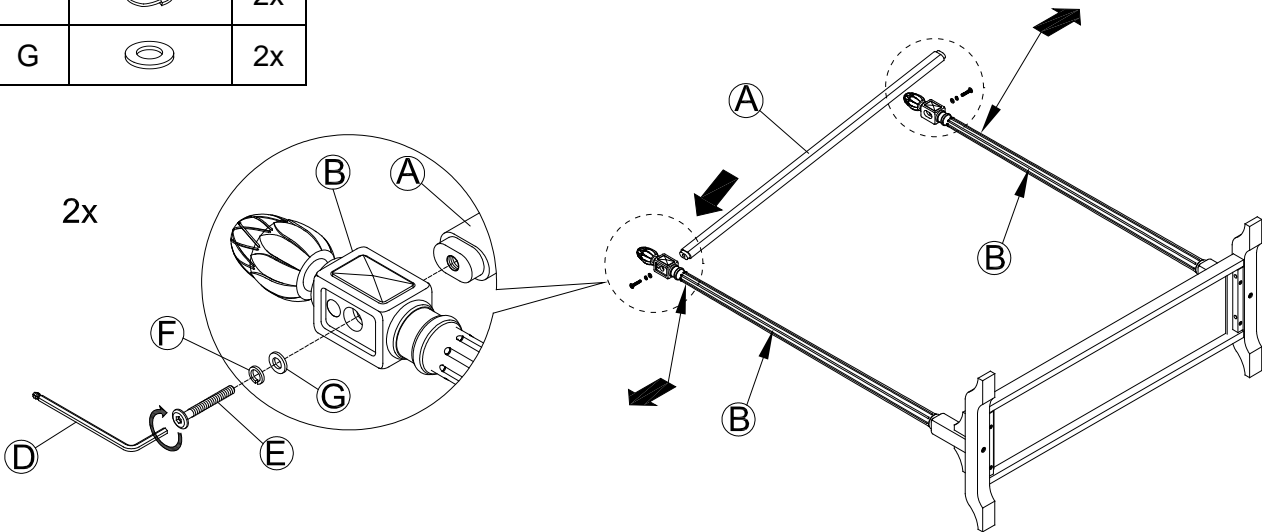
**Noted:**

- ✓ **Make sure the label at the bottom of (B) is facing inwards.**
- ✓ **Do not fully tighten the bolts to make the next steps easier.**

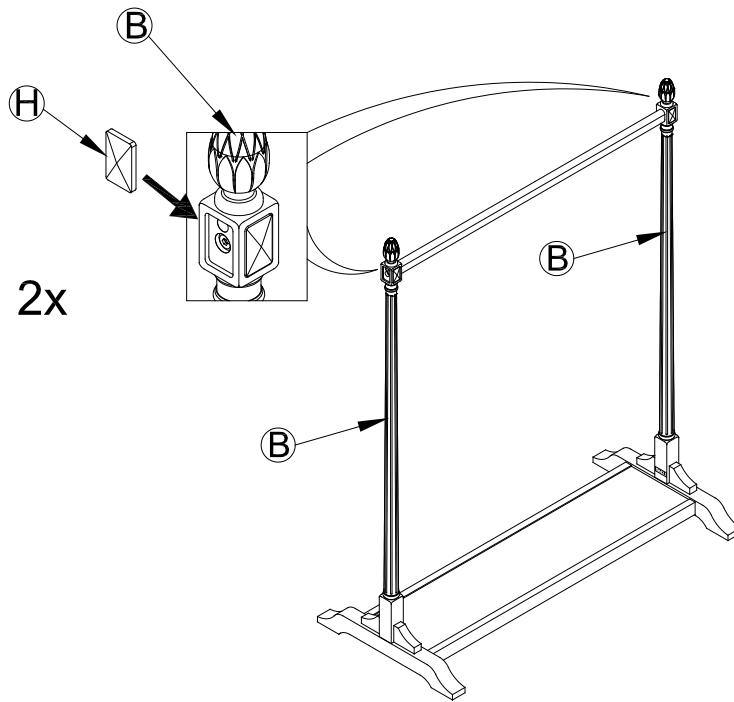


2. Attach (A) to (B) by spreading (B) and aligning tenons on (A) with pre-drilled holes on (B).
3. Secure (A) as seen in the illustration below.
4. Check the alignments and fully tighten all Bolts at this time. **Do not over tighten.**

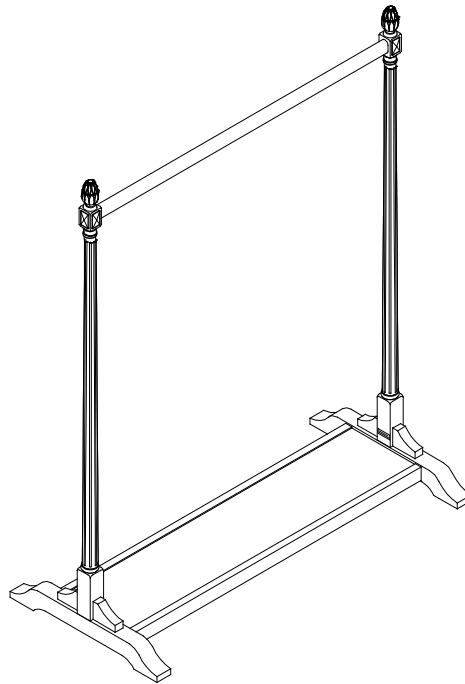
E		2x
F		2x
G		2x



5. Turn the unit upright. Attach (H) to (B), as shown below.



6. Assembly is now completed.



#### CARE INSTRUCTIONS:

- Dust often using a clean, soft, dry, and lint-free cloth.
- Blot spills immediately and wipe with a clean, damp cloth.
- We do not recommend the use of chemical cleansers, abrasives, or furniture polish on our lacquered finish.
- Hardware may loosen over time. Periodically check to make sure all connections are tight. Re-tighten if necessary.

Thank you for your purchase  
Stores | catalog | [www.potterybarnkids.com](http://www.potterybarnkids.com)  
USA 1.800.290.8181