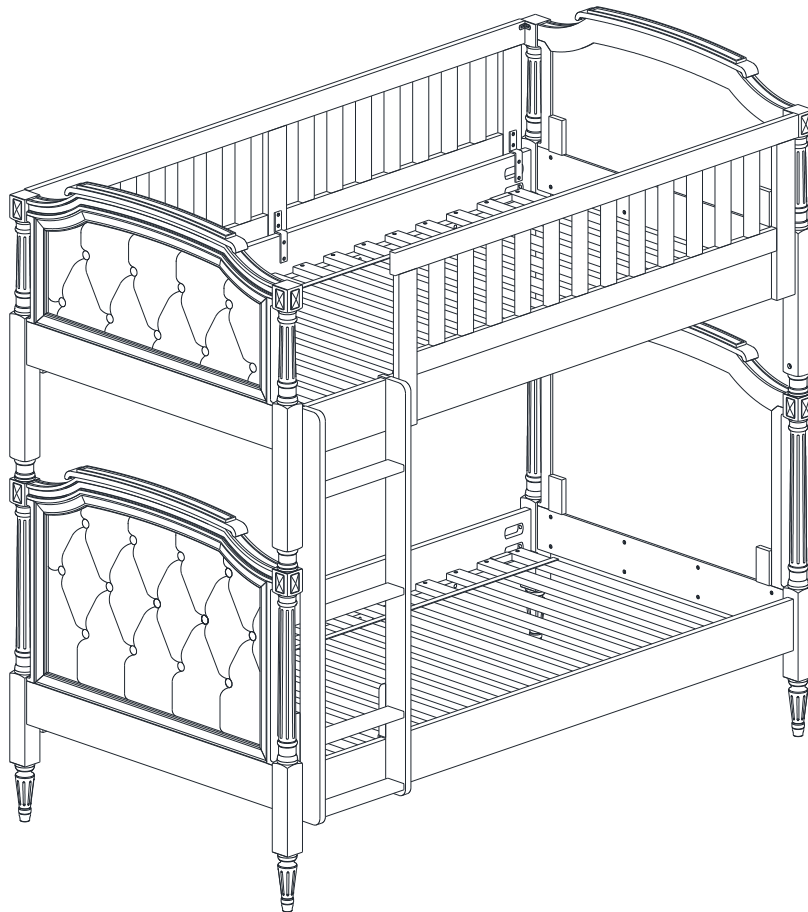


# pottery barn kids



## **BLYTHE BUNK BED TWIN OVER TWIN**

[www.potterybarnkids.com](http://www.potterybarnkids.com)



## **WARNING:** Failure to follow these warnings and assembly

**instructions could result in serious injury or death. To help prevent serious or fatal injuries from entrapment or falls:**

- Read all instructions before assembling bunk bed.
- Before each usage or assembly, inspect bunk bed for damaged hardware, loose joints, missing parts or sharp edges. DO NOT use bunk bed if any parts are missing or broken.
- DO NOT use substitute parts. Contact pottery barn kids for replacement parts and instructional literature if needed.
- Follow the information on the warnings appearing on the upper bunk end structure and on the carton. DO NOT REMOVE WARNING LABEL FROM BED.
- Always use the recommended size mattress or mattress support, or both, to help prevent the likelihood of entrapment or falls.
- Ensure thickness of mattress on upper bunk does not exceed 9 inches and the surface of mattress must be at least 5 inches (127 mm) below the upper edge of guardrails.
- Only use the 9" thickness mattress on the **lower bunk**.
- Ensure both upper and lower bunk are assembled to the highest position when using the product as a bunk bed.
- Use only mattress which is 74"-75" long and 37.5"-38.5" wide on upper and lower bunk.
- Do not allow children under 6 years of age to use the upper bunk.
- Periodically check and ensure that the guardrail, ladder, and other components are in their proper position, free from damage, and that all connectors are tight.
- Do not allow horseplay on or under the bed and prohibit jumping on the bed.
- Prohibit more than one person on the upper bunk.
- Always use the ladder for entering and leaving the upper bunk.
- Use of a night light may provide added safety precaution for a child using the upper bunk.
- Always use guardrails on both long sides of the upper bunk. If the bunk bed will be placed next to the wall, the guardrail that runs the full length of the bed should be placed against the wall to prevent entrapment between the bed and wall.
- The use of water or sleep flotation mattresses is prohibited.
- If refinishing, use a non-toxic finish specified for children's products. **STRANGULATION HAZARD** - Never attach or hang items to any part of the bunk bed that are not designed for use with the bed; for example, but not limited to, hooks, belts and jump ropes.
- This bunk bed meets the requirements of ASTM F1427-13.

KEEP THESE INSTRUCTIONS FOR FUTURE REFERENCE.

04-000044-7

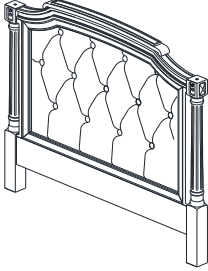
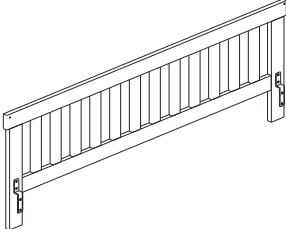
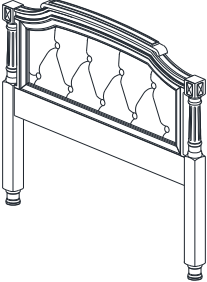
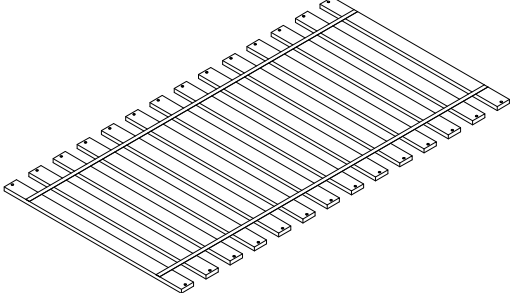
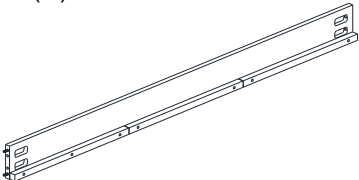

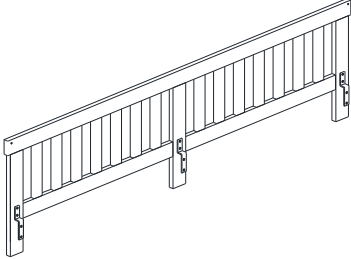
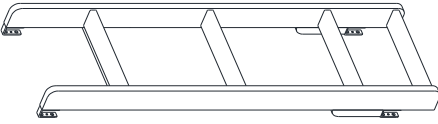
**IMPORTANT SAFETY INSTRUCTIONS:**

- Please read all instructions carefully before assembling.
- For your safety, assembly by two or more adults is strongly recommended.
- Keep instructions for future use.
- Use only vendor supplied hardware to assemble. Using unauthorized hardware could jeopardize the structural integrity of the item.


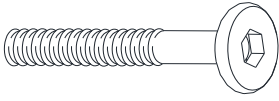
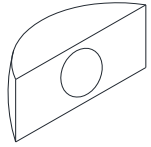

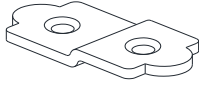
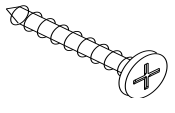







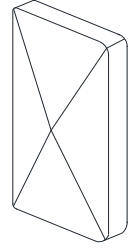
**PRE-ASSEMBLY:**

- Remove all parts and hardware from the box and lay out on a clear carpeted or scratch-free work surface, as this will avoid damaging parts during assembly. The shipping box provides an ideal work surface.
- Do not dispose of any packaging or contents of the shipping carton until assembly is completed to avoid accidentally discarding small parts or hardware.
- Use the parts and hardware lists below to identify and separate each of the pieces included.
- The illustrations provided allow for easier assembly when used in conjunction with the assembly instructions.
- The use of power tools to aid in assembly is not recommended. Power tools can damage hardware and split wood.
- DO NOT fully tighten all bolts until all parts are in place. Failure to follow these instruction may cause the bolts misalign during assembly.

**SPARTS INCLUDED:**

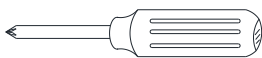
<p>(A) Tall End Board - 2x</p> 	<p>(E) Short Guardrail - 1x</p> 
<p>(B) Short End Board - 2x</p> 	<p>(F) Slat Roll - 2x</p> 
<p>(C) Side Rail - 4x</p> 	<p>(G) Leg - 4x</p> 
<p>(D) Long Guardrail - 1x</p> 	<p>(H) Ladder - 1x</p> 

**HARDWARE INCLUDED:**

 <p>(I) Allen Key 4mm - 1x</p>	 <p>(J) Long Bolt 5/16"x2-1/2" - 16x</p>	 <p>(K) Half moon Washer 5/16" - 16x</p>
 <p>(L) Spring Washer 5/16" - 16x</p>	 <p>(M) Metal Bracket 40x18x2 - 5x</p>	 <p>(N) Long Screw 8 x 30mm-56x</p>
 <p>(O) Connecting bolt 10x148mm - 4x</p>	 <p>(P) Short Screw 8x19mm - 24x</p>	 <p>(Q) Machine Screw 5/32" x 5/8" - 6x</p>
 <p>(R) Corner Bracket 26x26x20 - 3x</p>	 <p>(S) Small Bolt 1/4" x 1-1/4"-8x</p>	 <p>(T) Spring Washer 1/4" - 8x</p>
 <p>(U) Flat Washer 1/4" - 8x</p>	 <p>(V) Décor covers 52 x 31 x 8mm - 4x</p>	

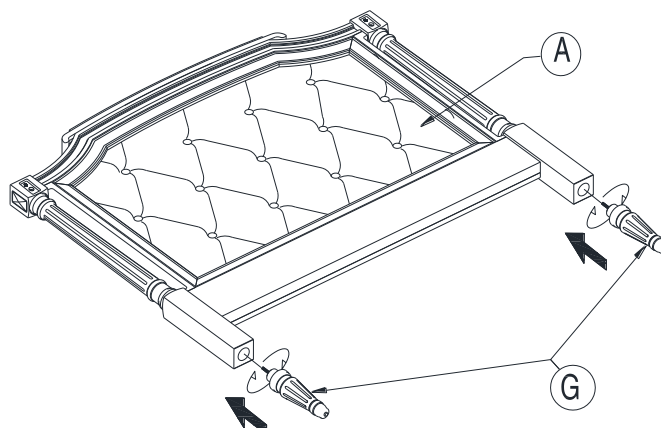
**TOOLS REQUIRED (Not included):**

Philips Head Screwdriver






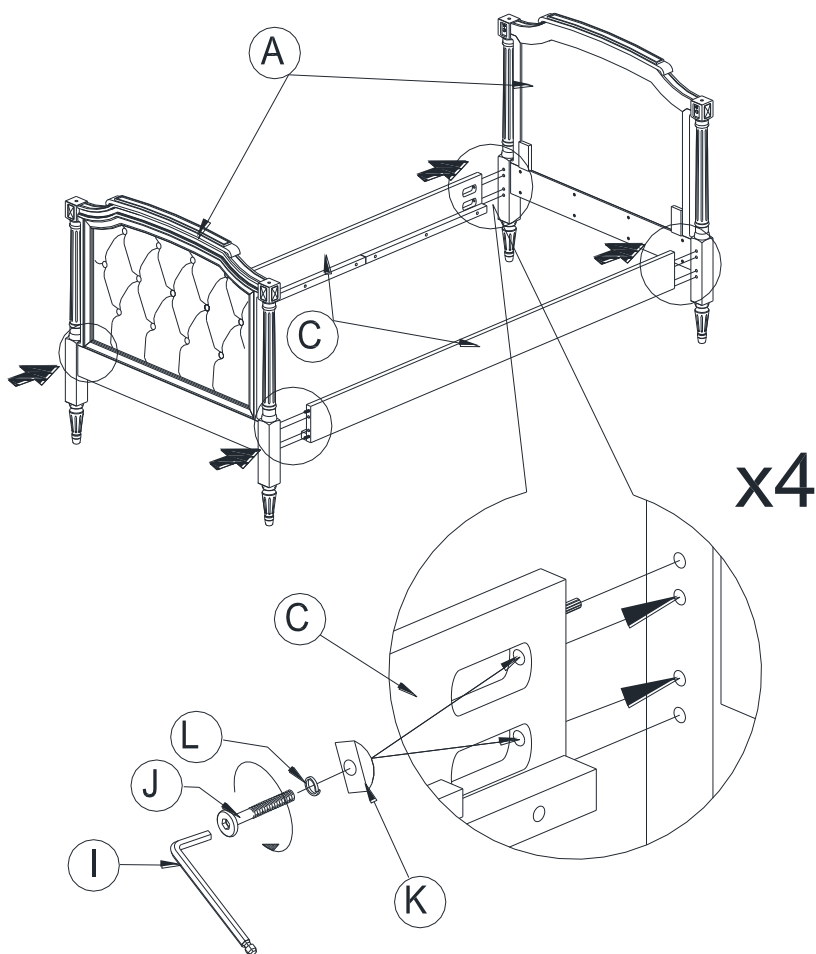
**ASSEMBLY INSTRUCTION STEPS:**

1. Thread the 4 Legs (G) onto the cut-outs located on the bottom legs of (2) Tall End Board (A) until tight, as seen in the illustration below.






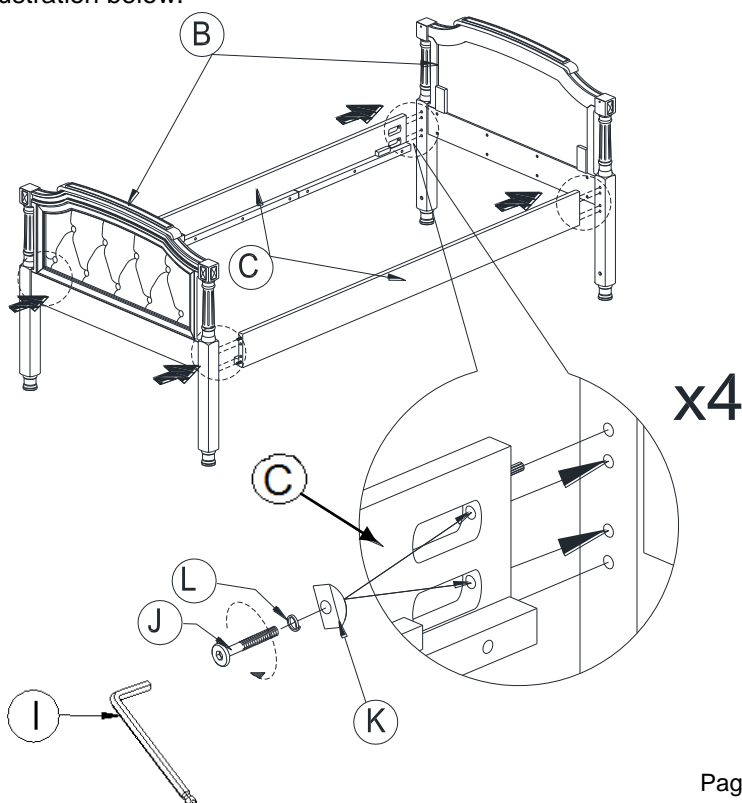
- Attach (2) Side Rails (C) to (2) Tall End Board (A) as shown below.
- Secure the Side Rail (C) with (8) Long Bolts (J), (8) Spring Washer (L), (8) Half moon Washer (K). Tighten the bolts by Allen Key (I), as shown in the illustration below.

J		08x
K		08x
L		08x




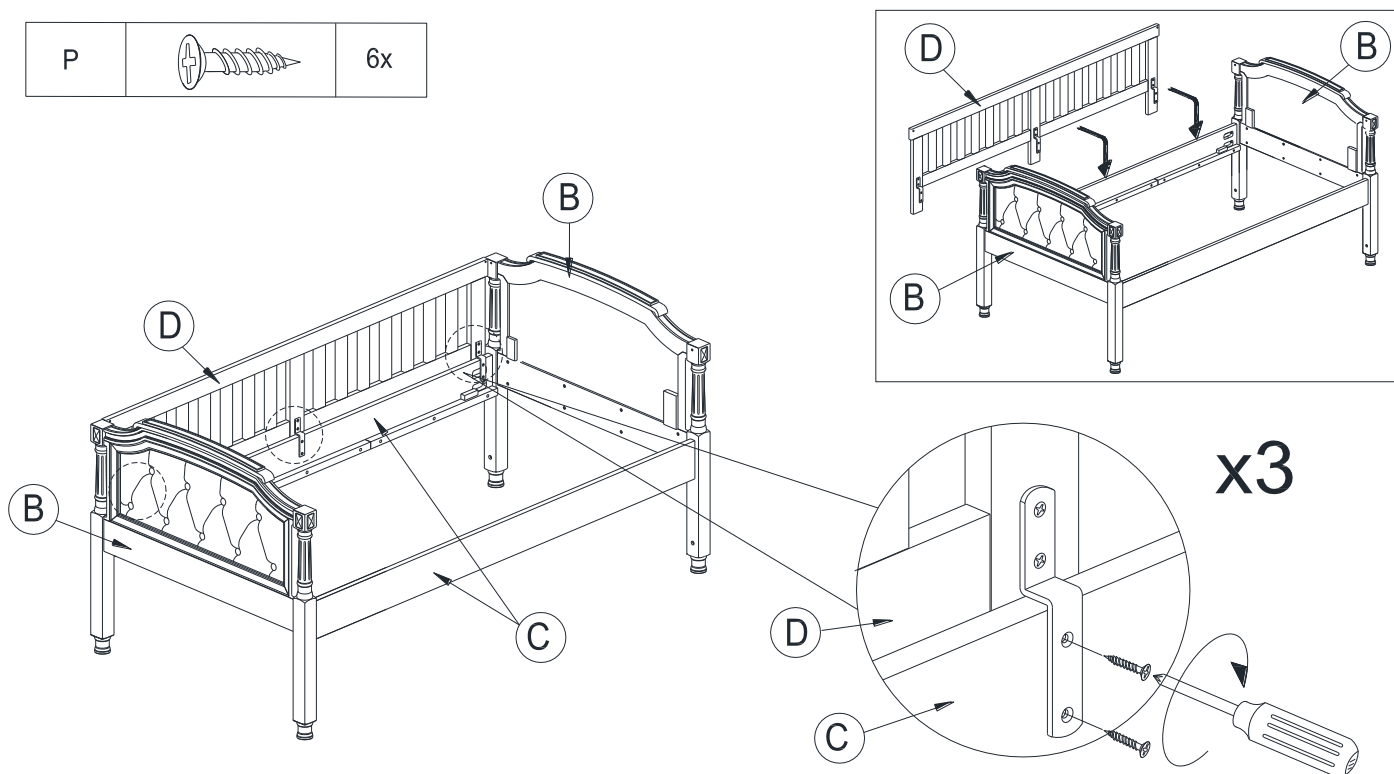
- Attach (2) Side Rails (C) to (2) Short End Board (B) as shown below.
- Secure the Side Rail (C) with (8) Long Bolts (J), (8) Spring Washer (L), (8) Half moon Washer (K). Tighten the bolts by Allen Key (I), as shown in the illustration below.

J		08x
K		08x
L		08x



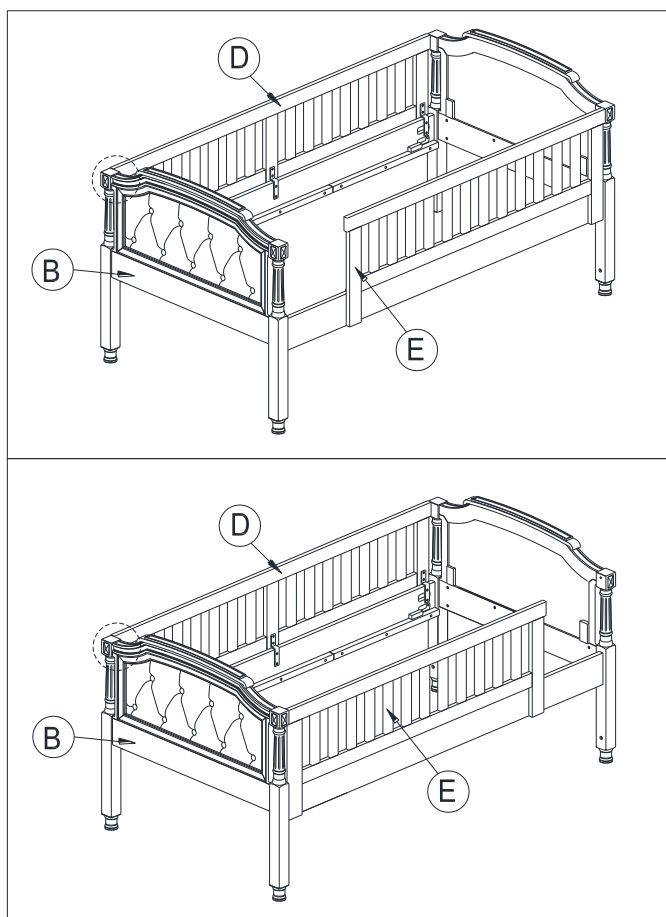
6. Attach the Long Guardrail (D) to the Side Rail (C). Make sure the brackets are facing inwards and sit well on top of the side rail, as seen in the illustration below.
7. Insert (6) Short Screw (P) through the holes on the brackets into Side Rail (C).
8. Tighten the Screws with a Philips Head Screwdriver (not provided).

P		6x
---	---	----



9. Determine the desired location of the ladder opening (use options below).

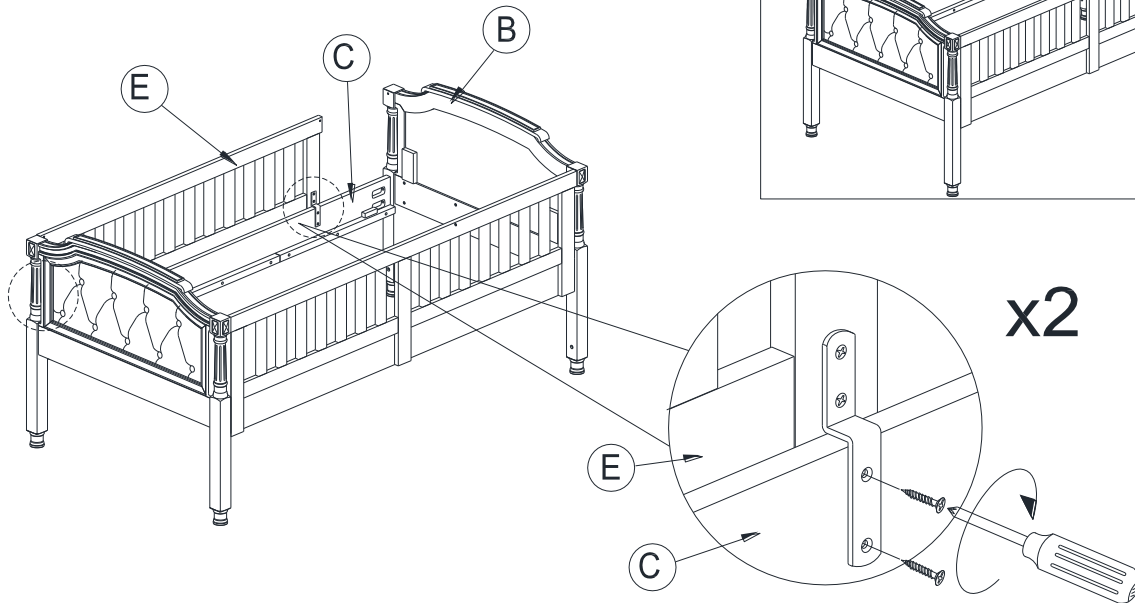
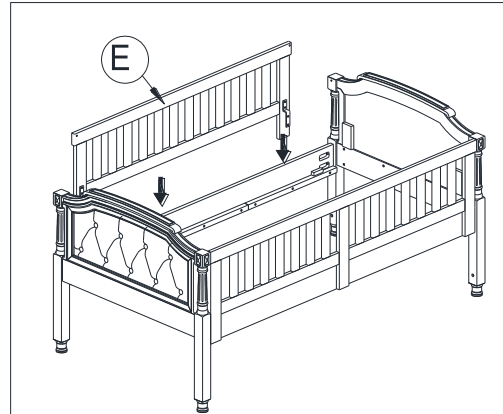
OPTIONS



10. Fasten the Short Guardrail (E) to the Side Rails (C) by Short Screw (P) inserting through the **brackets into the pre-drilled holes on the Side Rails**. Make sure there is no gap in between the guardrail end and the Short End Board (B) which is opposite the desired entry point before screwing the parts.

11. Tighten the screws with a Philips Head Screwdriver (not provided).

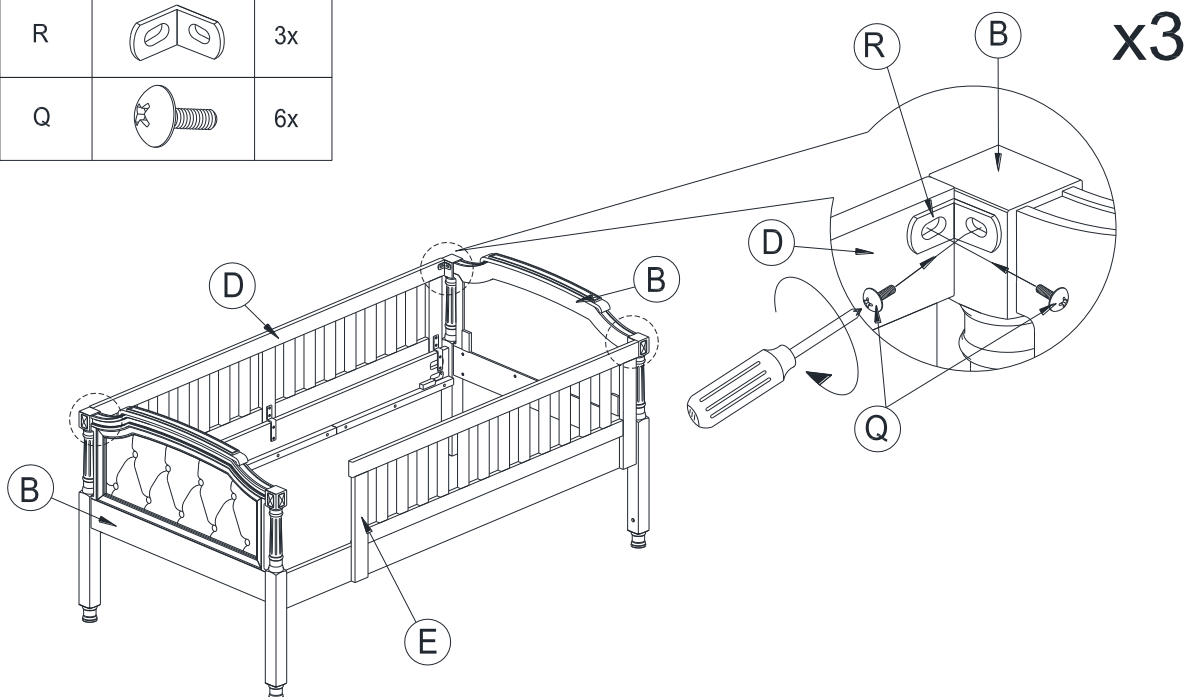
P		4x
---	--	----




12. Attach the Long Guardrail (D) and Short Guardrail (E) to the Short End Boards (B) by using (3) Corner Brackets (R) and (6) Machine Screw (Q).

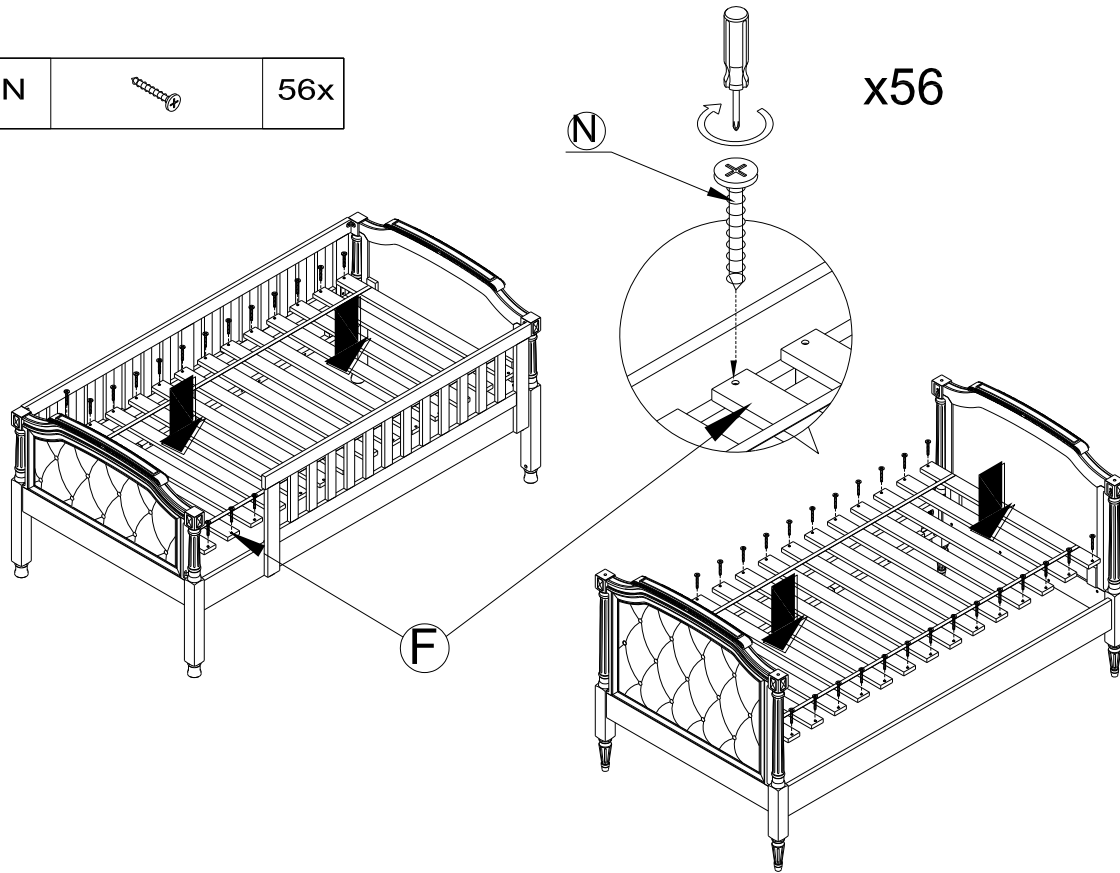
13. Tighten the Machine Screw (Q) through the holes on the brackets into the pre-fixed insert nuts on Long Guardrail (D), Short Guardrail (E) and Short End Board (B) with a Philips Head Screwdriver, as seen in the illustration below.

R		3x
Q		6x




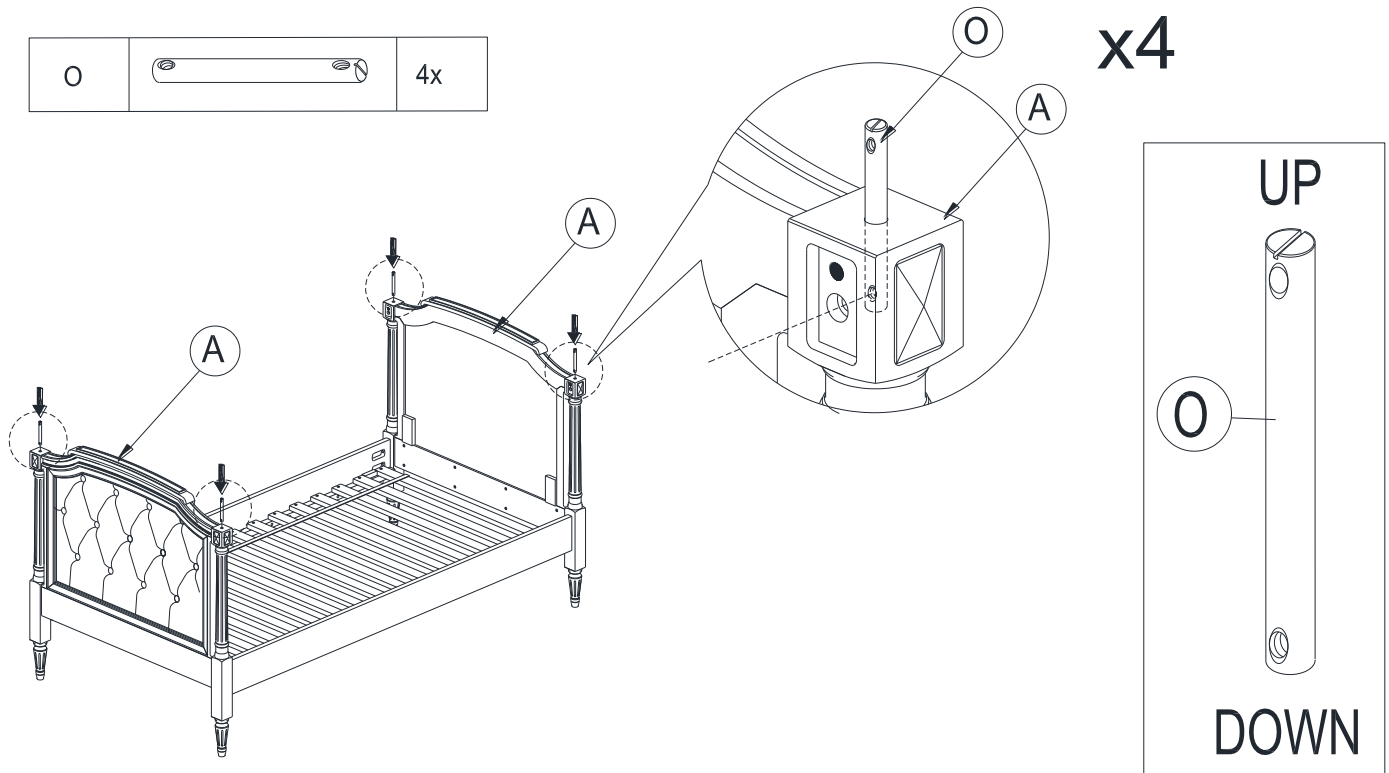
14. Extend and place the Slat Roll (F) to bed frames. Secure the slats by (56) Long Screw (N) with a Phillip Head Screwdriver (not provided).

N		56x
---	---	-----



15. Put the (4) Connecting Bolt (O) into pre-drilled holes on the post top of (2) Tall End Board (A). Make sure the groove at the end of connecting Bolts (O) is facing upwards as seen in the illustration below.

O		4x
---	---	----







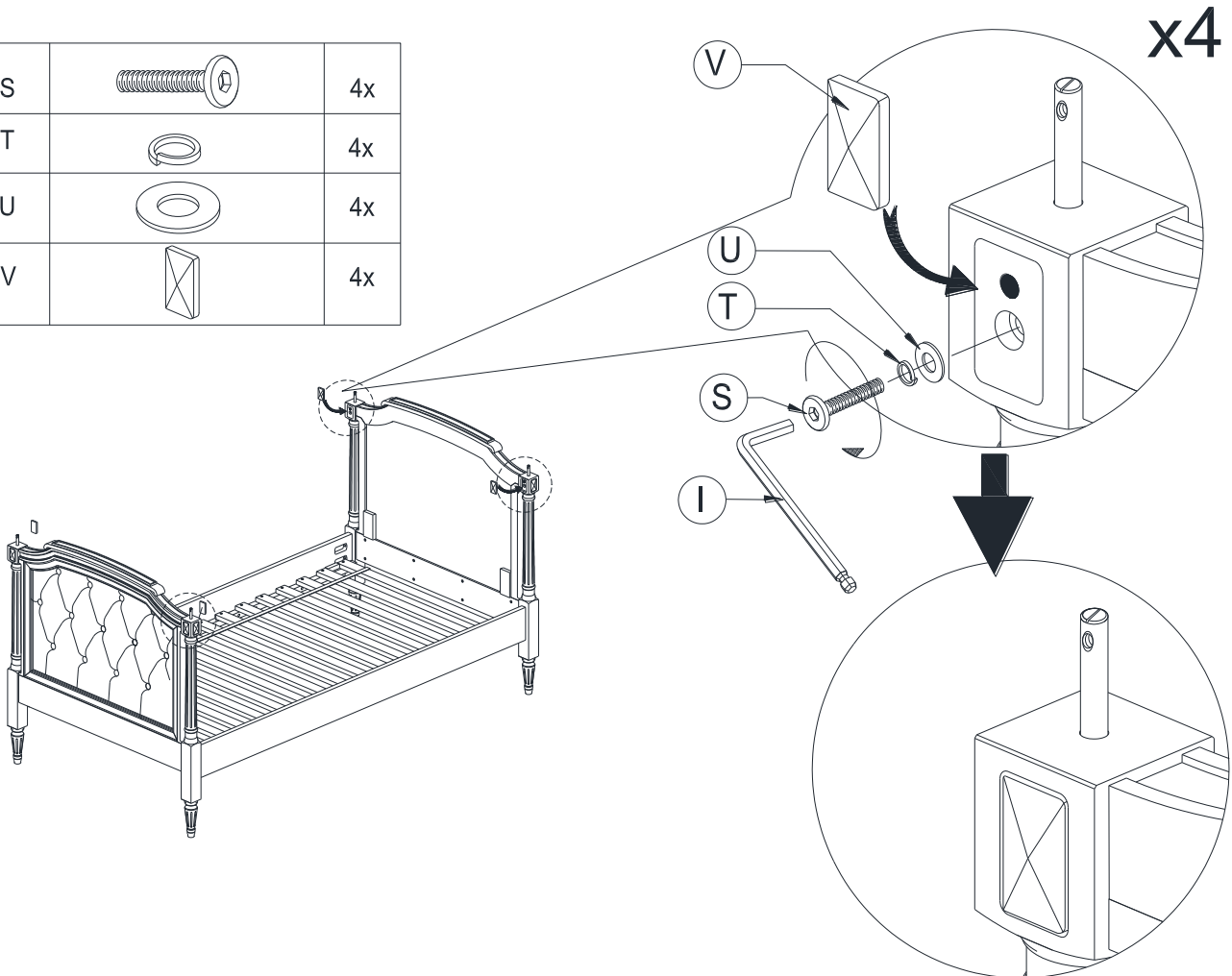


16. Insert (4) Spring Washer (T), (4) Flat Washer (U), (4) Small Bolt (S) through the holes of the posts of Tall End Board (A) and into the bottom holes of the Connecting Bolts (O).

17. Tighten the bolts with Allen Key (I).

18. Put the (4) décor covers (V) into the posts of (2) Tall End Board (A) as seen in the illustration below.

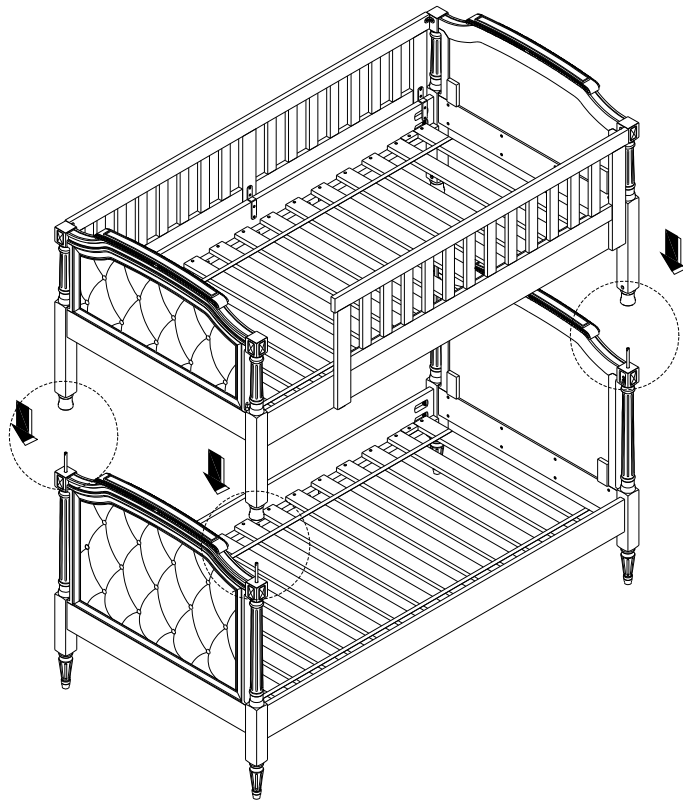
S		4x
T		4x
U		4x
V		4x






19. With the help of another person, lift the upper bed (with Short End Boards) and place over the bottom bed. Make sure the Connecting bolts (O) are well inserted into the holes on bottom of upper bed posts.

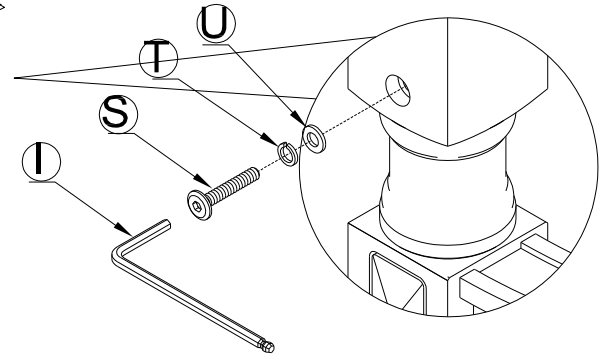
20. Insert (4) Spring Washer (T), (4) Flat Washer (U), (4) Small Bolt (S) through the holes on the Post of Short End Board (B) and into the upper holes on the Connecting bolts (O).

21. Tighten the bolts with Allen Key (I).

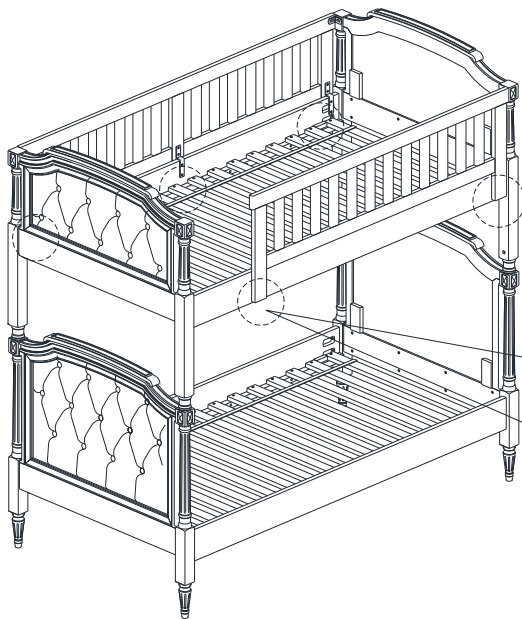




S		4x
T		4x
U		4x

x4

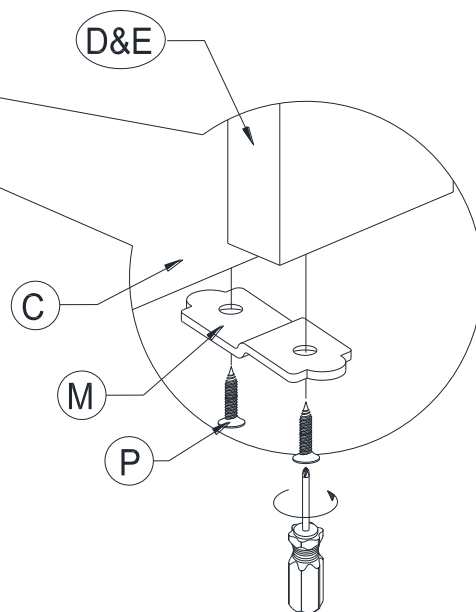


22. Place and hold (5) Metal Bracket (M) on the bottom of the guardrails in 5 locations and use (10) Short Screws (P) to secure guardrails and side rails together, as shown below .



P		10x
M		5x

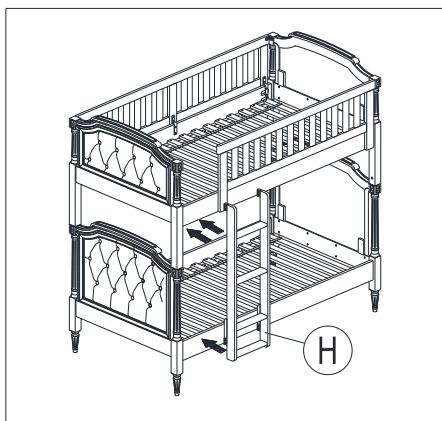
x5

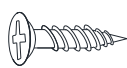


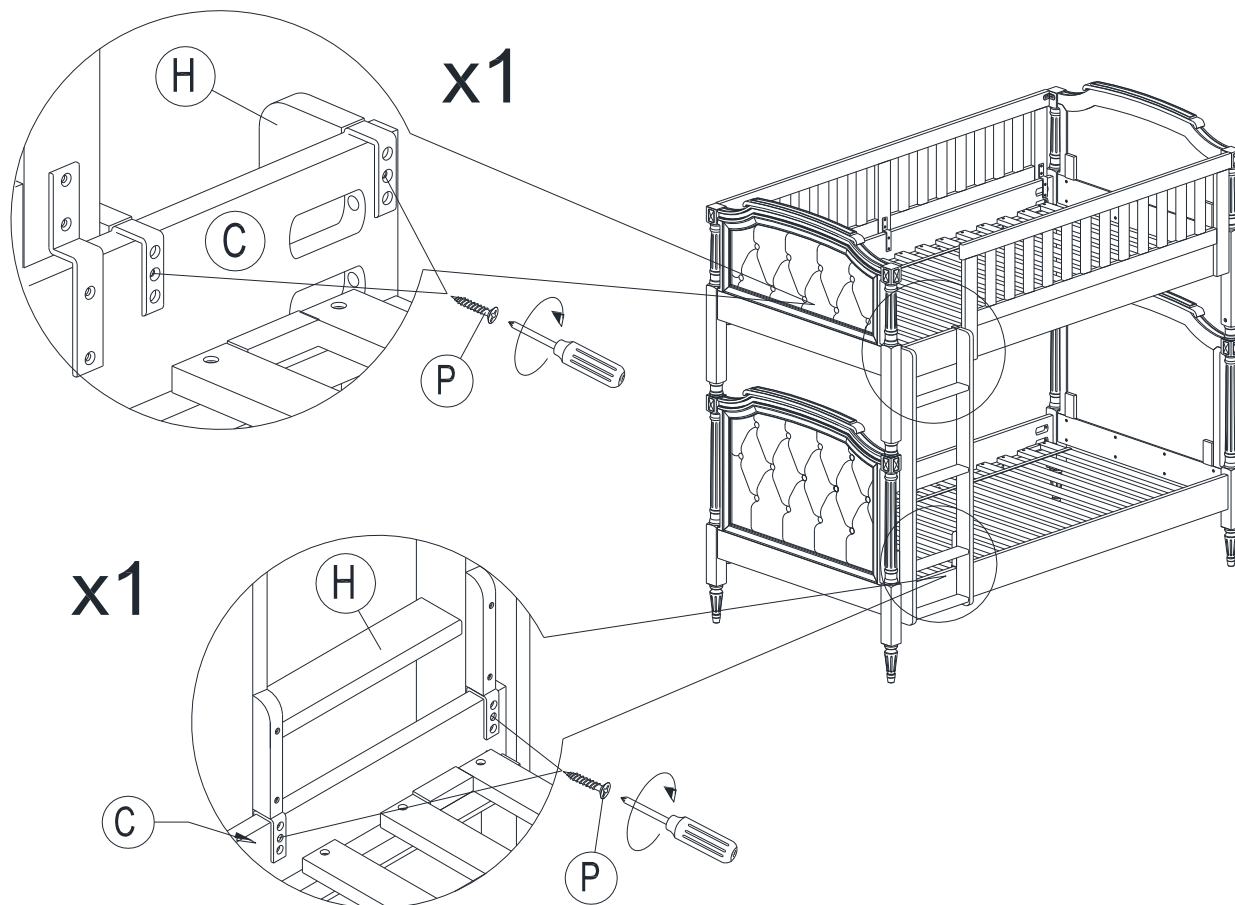
23. Attach the Ladder (H) to the opening of the Short Guardrail and ensure the pre-installed hooks on the ladder sit well on side rail of both upper and lower beds.

24. Insert (4) Short Screw (P) through the holes on the hooks and into the pre-drilled holes on the side rails.

25. Tighten the screws by a Phillip Head Screwdriver (not provided).



P		4x
---	---	----



#### Care Instructions:

- Dust often using a clean, soft, dry and lint-free cloth.
- Blot spills immediately and wipe with a clean, damp, cloth.
- We do not recommend the use of chemical cleansers, abrasives or furniture polish on our lacquered finish.
- Hardware may loosen over time. Periodically check to make sure all connections are tight. Re-tighten if necessary.

Thank you for your purchase  
Stores | catalog | [www.potterybarnkids.com](http://www.potterybarnkids.com)  
USA 1.800.290.8181