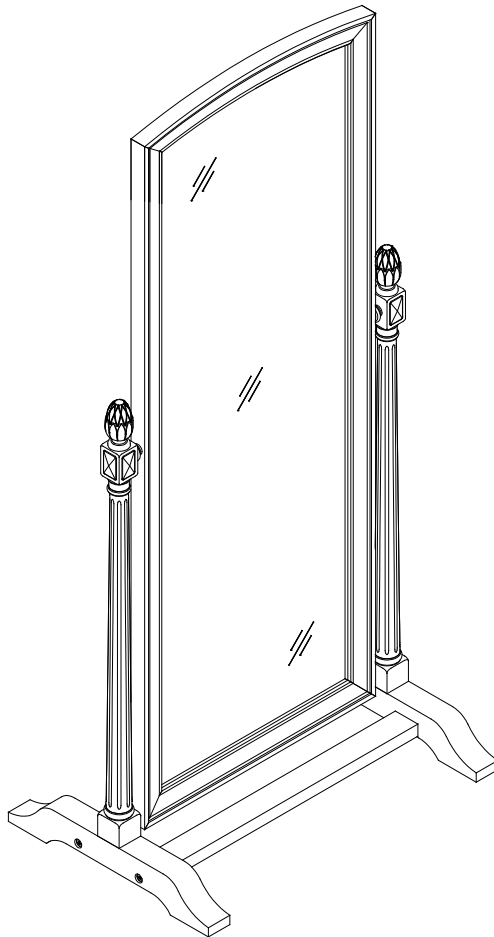


pottery barn kids



**BLYTHE FLOOR MIRROR**

[www.potterybarnkids.com](http://www.potterybarnkids.com)

**IMPORTANT SAFETY INSTRUCTIONS:**

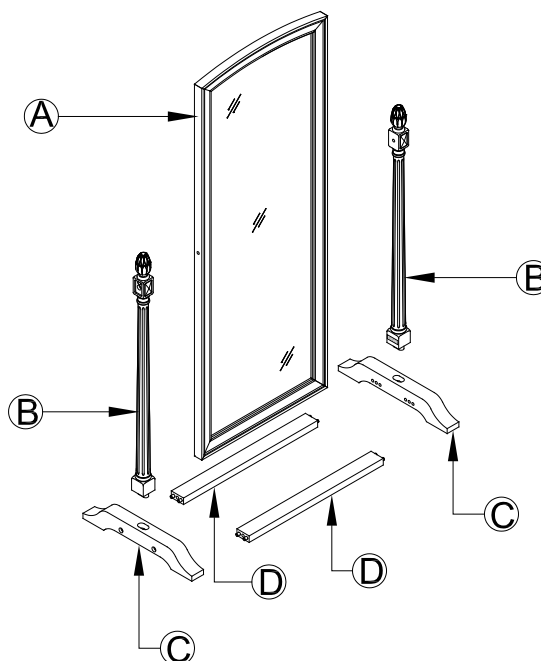
- Please read all instructions carefully before assembling.
- For your safety, assembly by two or more adults is strongly recommended.
- Keep these instructions for future use.
- Use only vendor-supplied hardware to assemble this item. Using unauthorized hardware could jeopardize the structural integrity of the Floor mirror.

**PRE-ASSEMBLY:**

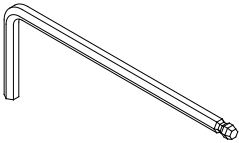
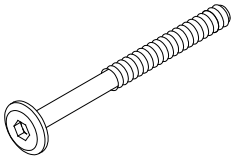
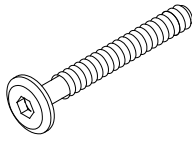
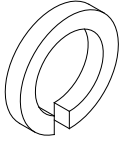
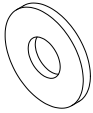
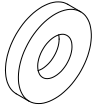
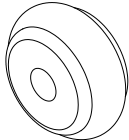
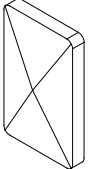
- Remove all parts and hardware from the box. Place all items on a carpeted or scratch-free work surface, as this will avoid damaging parts during assembly. The shipping box provides an ideal work surface.
- To avoid accidentally discarding small parts or hardware, do not dispose of any packaging or contents of the shipping carton until assembly is complete.
- Use the parts and hardware lists below to identify and separate each of the pieces included.
- The illustrations provided allow for easier assembly when used in conjunction with the assembly instructions.
- The use of power tools to aid in assembly is not recommended. Power tools can damage the hardware and split the wood.
- **Note:** Do not fully tighten all bolts until all parts are in place. Failure to follow these instructions may cause the bolts to misalign during assembly.

**PARTS INCLUDED:**

- (A) Mirror (x1)
- (B) Post (x2)
- (C) Base (x2)
- (D) Bottom stretcher (x2)



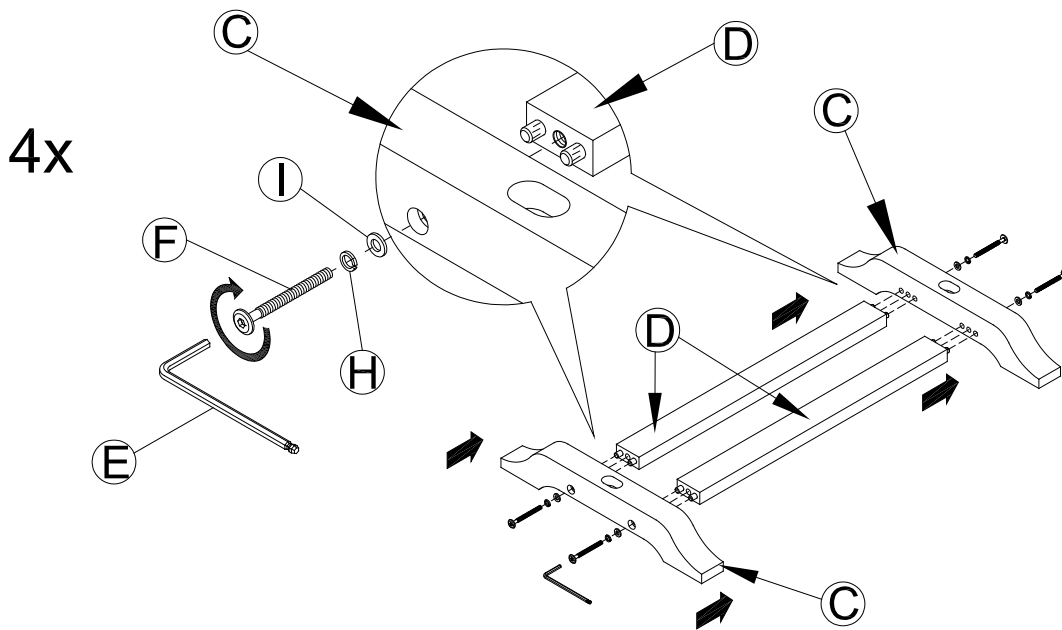
**HARDWARE INCLUDED:**

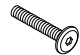


<p>(E) Allen Key with ball tip – 1x</p> 	<p>(F) Long Allen bolt 1/4"x63mm - 6x</p> 	<p>(G) Short Allen bolt 1/4"x45mm - 2x</p> 	<p>(H) Spring Washer 1/4"- 8x</p> 
<p>(I) Flat Washer 1/4" – 8x</p> 	<p>(J) Plastic Washer ø17x3mm – 4x</p> 	<p>(K) Spacer – 2x</p> 	<p>(L) Magnetic Decor Cover - 2x</p> 

## ASSEMBLY INSTRUCTION STEPS:

1. Attach (D) to (C) by aligning wooden dowels on (D) with pre-drilled holes on (C) as seen in the illustration below.

**Noted:** Do not fully tighten the bolts to make the next steps easier.


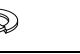



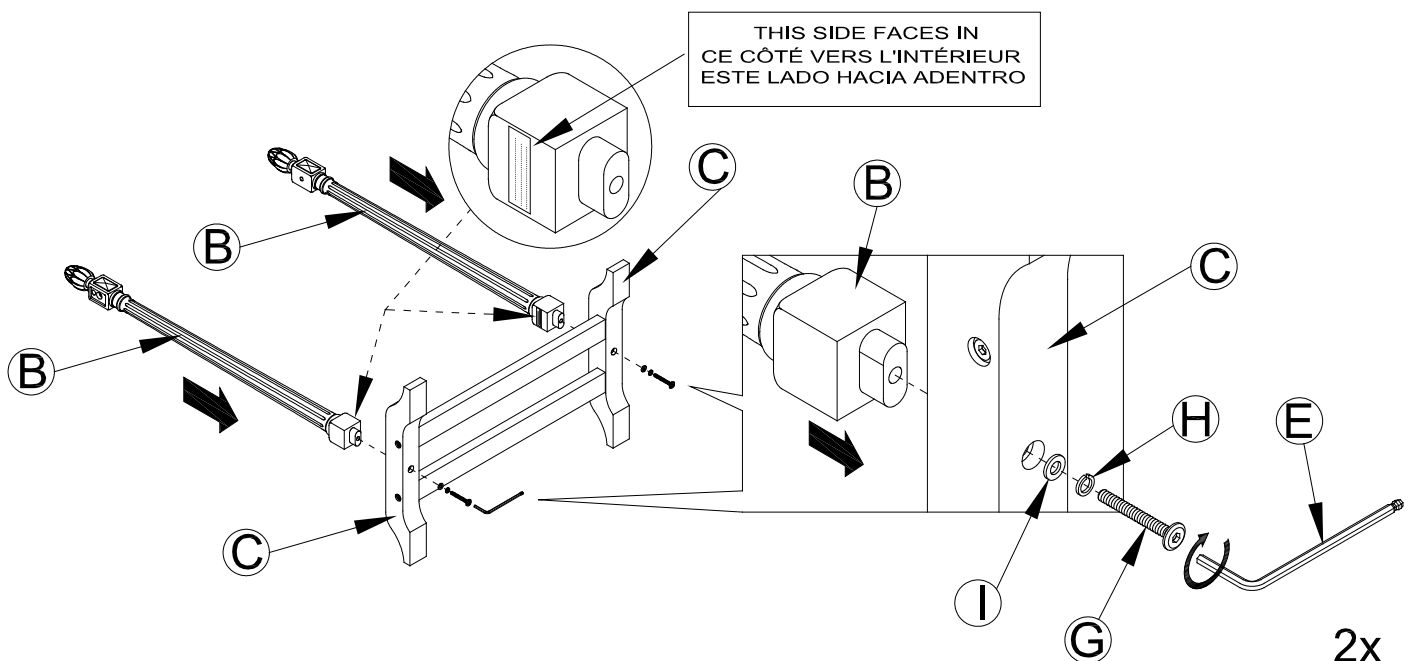
F		4x
H		4x
I		4x

2. Attach (B) to (C) by aligning wooden tenons on (B) with pre-drilled holes on (C), as seen in the illustration below.

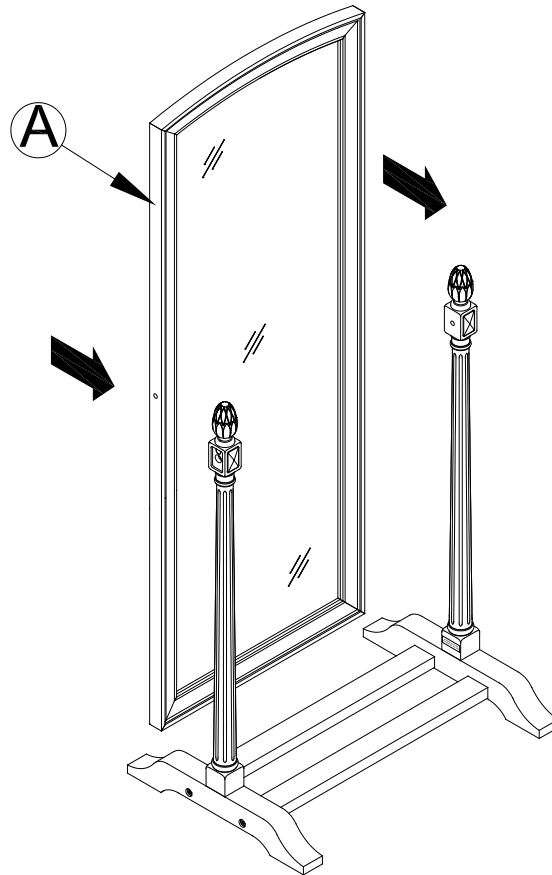
**Noted:**






- ✓ Make sure the label at the bottom of (B) is facing inwards.
- ✓ Do not fully tighten the bolts to make the next steps easier.

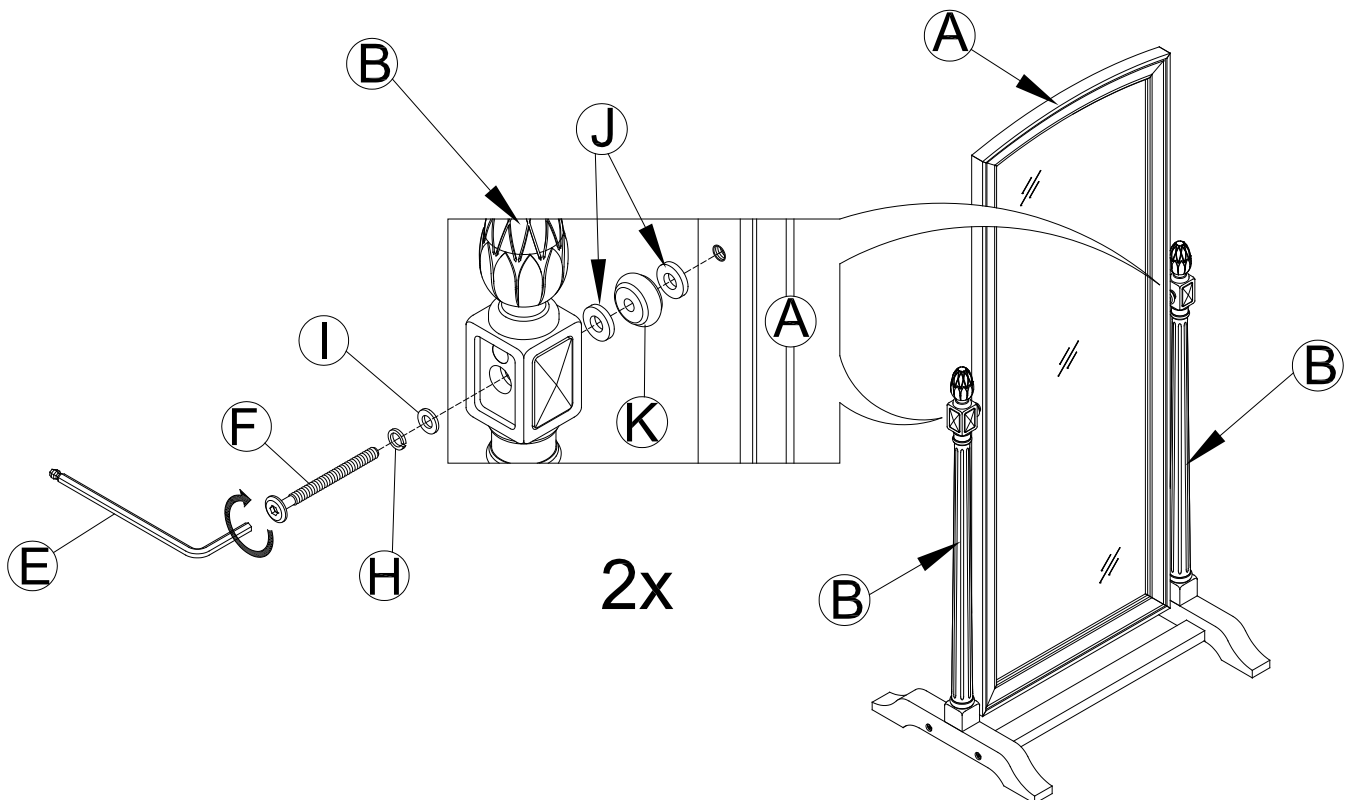
G		2x
H		2x
I		2x



- Turn the assembled piece (B&C) upright.
- Carefully place (A) to (B&C) and secure (A), as shown below.

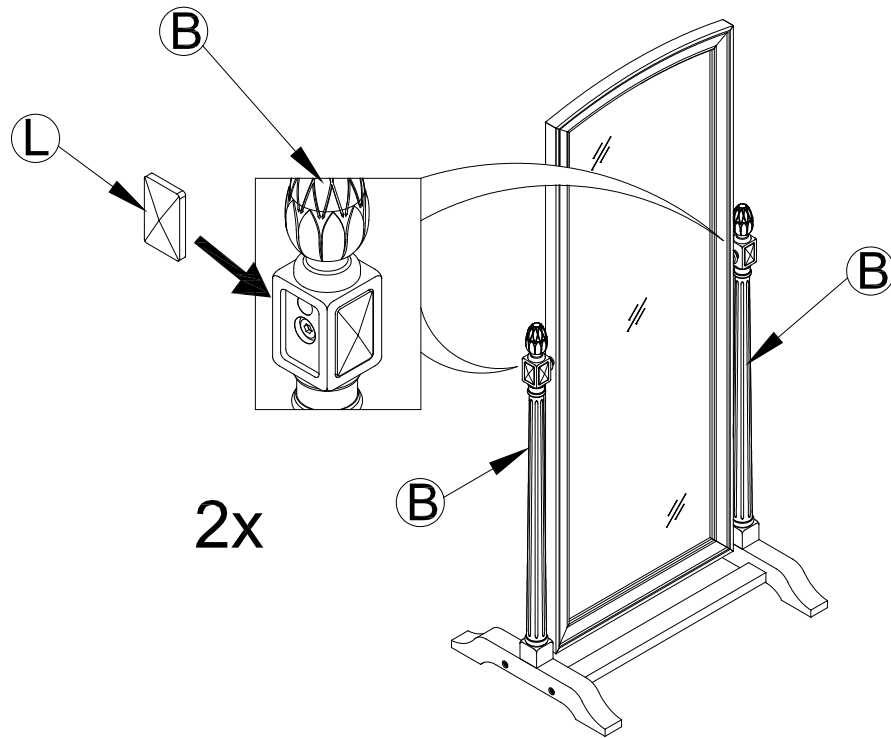


F		2 x
H		2 x
I		2 x
J		4x
K		2x

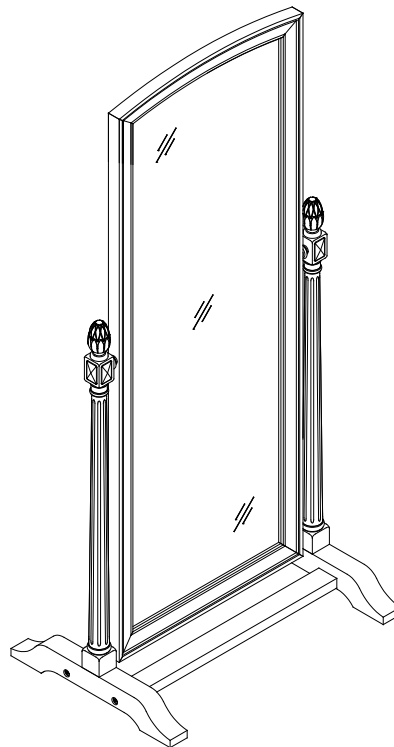


- Check the alignments and fully tighten all Bolts at this time. **Do not over tighten.**

6. Attach (L) to (B), as shown below.



7. Assembly is now completed.



**CARE INSTRUCTIONS:**

- Dust often using a clean, soft, dry, and lint-free cloth.
- Blot spills immediately and wipe with a clean, damp cloth.
- We do not recommend the use of chemical cleansers, abrasives, or furniture polish on our lacquered finish.
- Hardware may loosen over time. Periodically check to make sure all connections are tight. Re-tighten if necessary.

Thank you for your purchase  
Stores | catalog | [www.potterybarnkids.com](http://www.potterybarnkids.com)  
USA 1.800.290.8181