

pottery barn kids

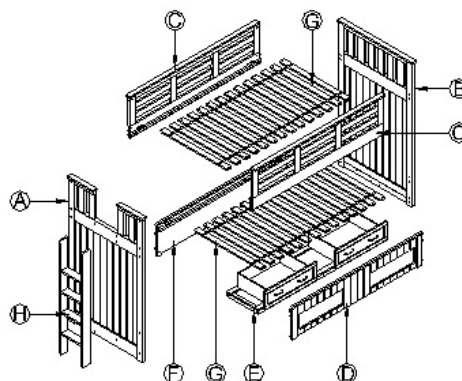
BELDEN BUNK BED

PRE-ASSEMBLY:

- Remove all parts and hardware from the box and place them on a clean carpeted, or scratch-free work surface (The shipping box provides an ideal work surface). This will avoid damaging any parts during assembly.
- To avoid accidentally discarding small parts or hardware, do not dispose of any contents until assembly is complete.
- Two people are recommended for ease of assembly.
- Prior to starting assembly, use the parts and hardware lists to identify and separate each of the pieces included.
- The illustrations provided allow for easier assembly when used in conjunction with the assembly instructions.
- Note: Do not fully tighten all th bolts until all parts are in place. Failure to follow these instructions may cause the bolts to misalign during assembly.
- Please use caution if using power tools to aid in assembly . Power tools can damage hardware or split wood.

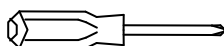
PARTS INCLUDED:

- A – Footboard (1)
- B – Headboard (1)
- C – Guardrail (2)
- D – Right side panel (1)
- E – Bottom frame with drawers (1)
- F – Left side panel (1)
- G – Slat rolls (2)
- H – Ladder (1)



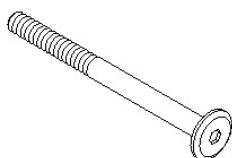
TOOLS REQUIRED:

- Phillips head screwdriver (not included)
- T – Allen Key (included)

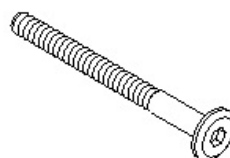


HARDWARE INCLUDED:

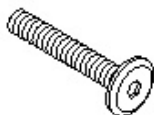
- I – Long Hex Bolt 5/16"x100mm (20)



- J – Short Hex Bolt 1/4"x63mm (8)



- K – Short Hex Bolt 1/4" x 32mm (7)



- L – Spring Washer 5/16"x13x1.5 mm (20)



M – Flat Washer 5/16" x 15 x 1.5mm (20)



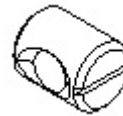
N – Spring Washer 1/4" x 10 x 1.5mm (15)



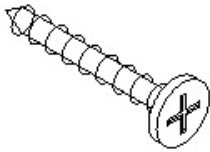
O – Flat Washer 1/4" x 12 x 1.5mm (15)



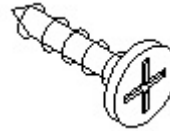
P – Barrel Nut 5/16" x 15 x 12mm (20)



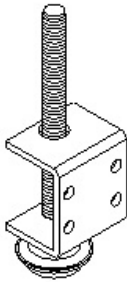
Q – Large Phillips Head Screw 8 x 30mm (56)



R – Small Phillips Head Screw 8 x 19mm (4)

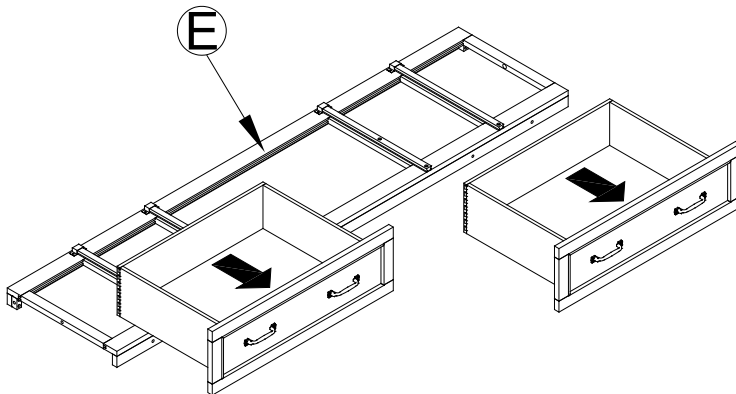


S – Leveler 3/8" x 109 x 30mm (1)

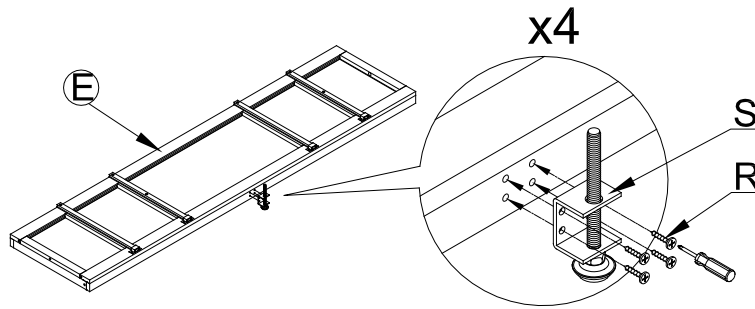


ASSEMBLY:

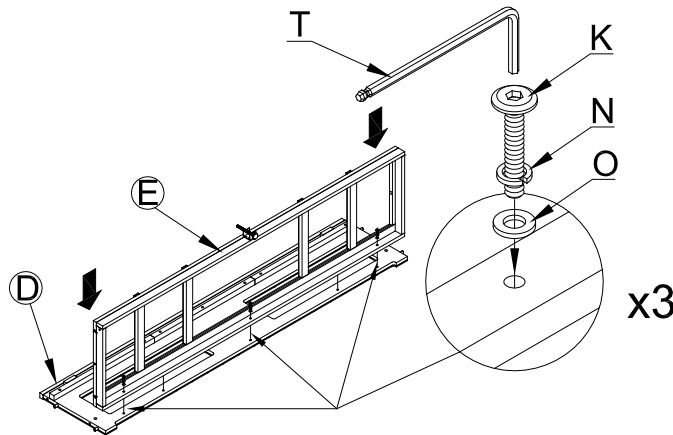
1. Pull the 2 Drawers out from the Bottom frame (E), as shown in the illustration below.



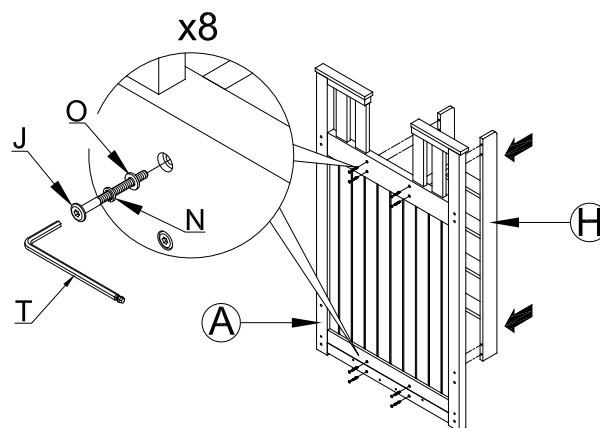
2. Attach 1pc of Leveler (S) to the Bottom Frame (E) using 4pcs of Small Phillips head screw 8x19mm (R), as seen in the illustration below.
3. Tighten with a Phillips head screwdriver (not included).



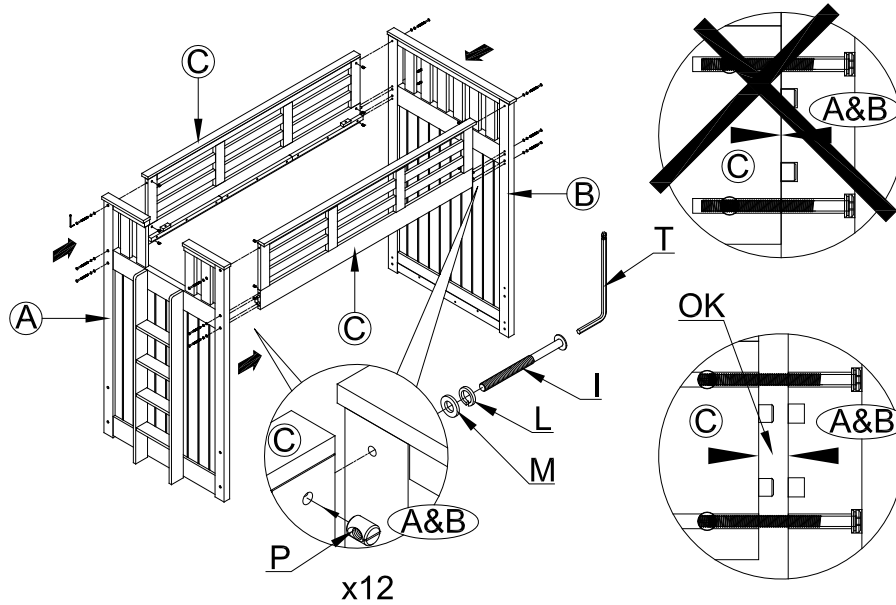
4. Lay down Right Side Panel (D) and attach Bottom Frame (E), making sure the pre-drilled holes align.
5. Secure using 3pcs of Short Hex Bolt 1/4"x32mm (K), 3pcs of Spring Washer (N), 3pcs of Flat Washer (O), and tighten with Allen Key (T), as seen in the illustration below.



6. Attach Ladder (H) to Footboard (A).
7. Secure using 8pcs of Short Hex Bolt 1/4"x63mm (J), 8pcs of Spring Washer (N), 8pcs of Flat Washer (O), and tighten using Allen Key (T), as seen in the illustration below.

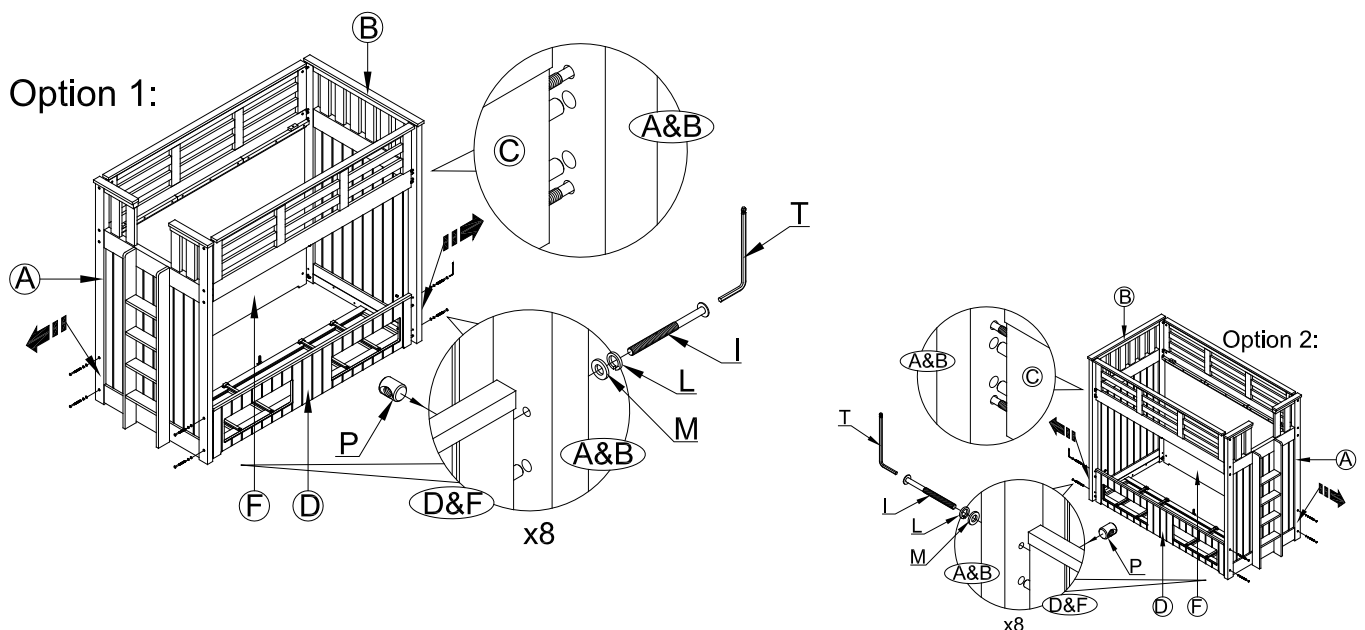


8. Attach 2pcs of Guardrail (C) to Footboard (A) and Headboard (B).
9. Secure using 12pcs of Long Hex Bolt 5/16"x100mm (I), 12pcs of Spring Washer (L), 12pcs of Flat Washer (M), 12pcs of Barrel Nut (P) and tighten loosely with Allen Key (T), as shown in the illustration below. Keep the space between Guardrail (C), Headboard (B), and Footboard (A), as the close-up shows in the illustration to the bottom right for next assembly step.

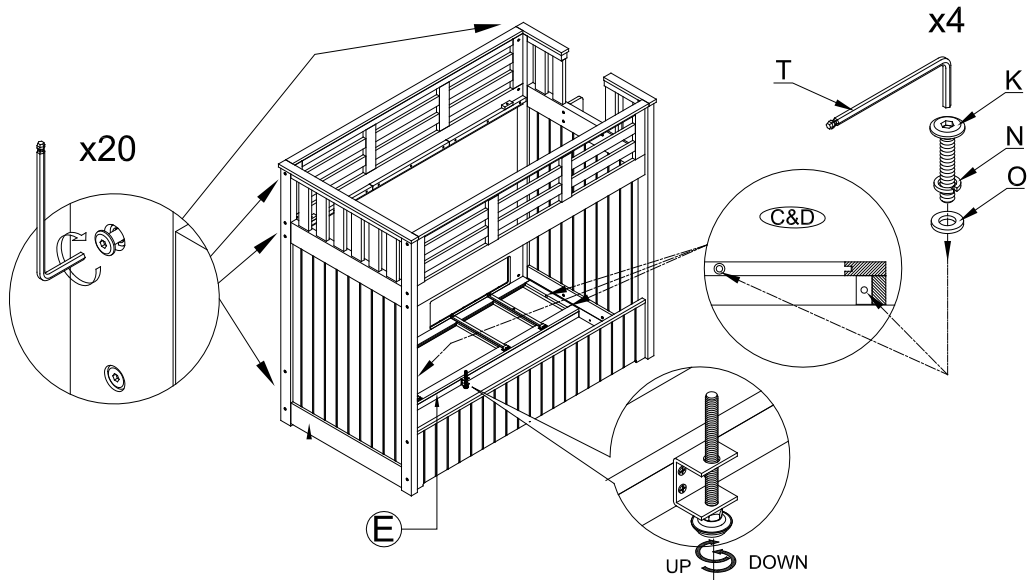


10. Attach Right Side Panel (D) and Left Side Panel (F) to Headboard (B) and Footboard (A).
11. Secure using 8pcs of Long Hex Bolt 5/16"x100mm (I), 8pcs of Spring Washer (L), 8pcs of Flat Washer (M), 8pcs of Barrel Nut (P), and tighten with Allen Key (T), as shown in the illustration below.

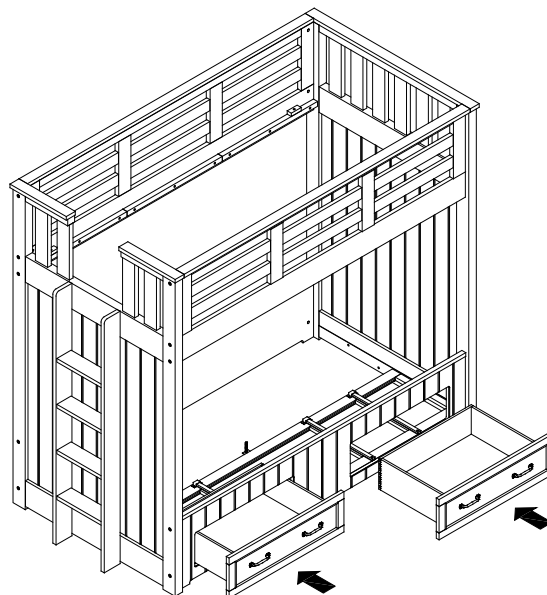
**Note: Right side panel (D) can be attached to either side, make sure you have the right one you expected at this step.



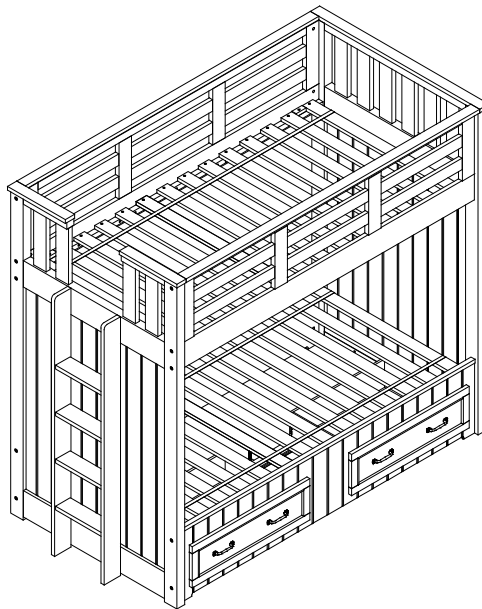
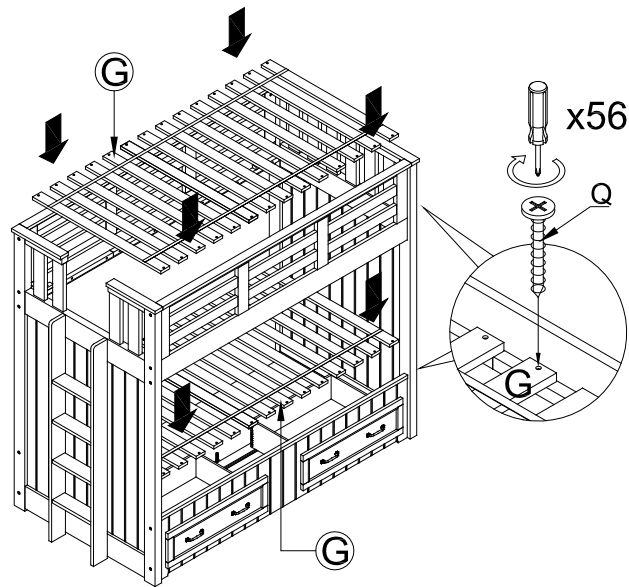
12. Attach Bottom Frame (E) to Headboard (B) and Footboard (A).
13. Secure using 4pcs of Short Hex Bolt 1/4" x 32mm (K), 4pcs of Spring Washer (N), 4pcs of Flat Washer (O), and tighten with Allen Key (T).
14. Adjust Leveler (S) to be flush with the floor.
15. Fully tighten all bolts at this step to secure the construction.



16. Put the drawer boxes back to the Bottom Frame (E) by aligning the wooden runners. Make sure the drawer fits properly.



17. Lay Slat Roll (G) in between the Headboard (B) and Footboard (A).
18. Attach Slat Roll (G) to the bed frame by using 56pcs of Large Phillips Head Screw 8x30mm (O).
19. Loosely tighten with a Phillips Head Screwdriver.
20. Tighten all bolts and screws to make sure all are tight and bed structure is rigid.
21. It is recommended that all screws be checked from time to time for safety, as the hardware may loosen over time.



Thank you for your purchase.

stores | catalog | www.potterybarnkids.com

USA 1.800.290.8181