



BASSINET

www.potterybarnkids.com

13-May-2024

2/5



WARNING

– Failure to follow these warnings and the instructions could result in serious injury or death.

- To reduce the risk of SIDS, pediatricians recommend healthy infants be placed on their backs to sleep, unless otherwise advised by your physician.
- If a sheet is used with the pad, use only the one provided by the bassinet or cradle manufacturer or one specifically designed to fit the dimensions of the bassinet or cradle mattress.
- String can cause strangulation! Do not place items with a string around a child's neck, such as hood strings or pacifier cords.
- Do not suspend strings over a bassinet or cradle or attach strings to toys.
- FALL HAZARD – To help prevent falls, do not use this product when the infant begins to push up on hands and knees or has reached 10kg (22lbs.), whichever comes first.

SUFFOCATION HAZARD

Infants have suffocated:

- In gaps between extra padding and side of the bassinet / cradle.
- On soft bedding.
- Use **ONLY** the pad provided by manufacturer
- **NEVER** add a pillow, comforter, or another mattress for padding.

04-000108-3

13-May-2024

3/5

IMPORTANT SAFETY INSTRUCTIONS:

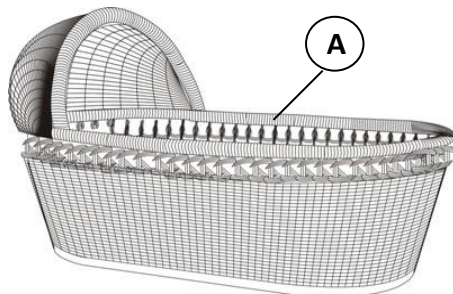
- Please read all instructions carefully before assembling.
- Keep instructions for future use.
- Use only vendor supplied hardware to assemble. Using unauthorized hardware could jeopardize the structural integrity of the item.
- Do not remove warning labels. Labels are permanent and not designed to be removed

PRE-ASSEMBLY:

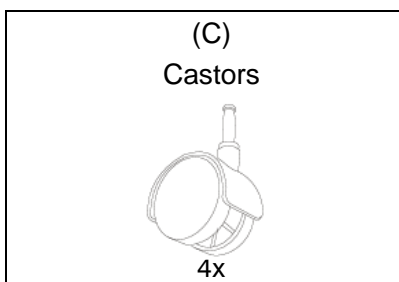
- Remove all parts and hardware from the box and lay out on a clear carpeted or scratch-free work surface, as this will avoid damaging parts during assembly. The shipping box provides an ideal work surface.
- Do not dispose of any packaging or contents of the shipping carton until assembly is completed to avoid accidentally discarding small parts or hardware.
- Use the parts and hardware lists below to identify and separate each of the pieces included.
- The illustrations provided allow for easier assembly when used in conjunction with the assembly instructions.
- The use of power tools to aid in assembly is not recommended. Power tools can damage hardware and split wood.

Parts Included:

- | | |
|-------------------|----|
| (A) Bassinet | 1x |
| (B) Bassinet Cart | 1x |



Hardware Included:



Assembly Instruction Steps:

Step 1 : Carefully lay the Bassinet Cart (B) face down on a scratch free work surface. Align the Castor (C) with the pre-drilled hole on the leg of Bassinet cart (B). Insert the Castor into the corresponding holes (Fig.1). Repeat this step for the remaining Castors.

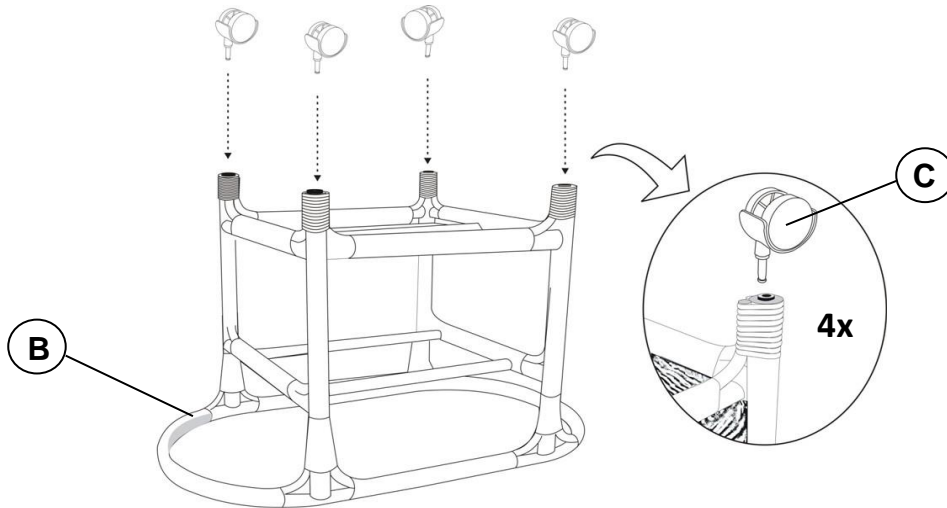


Fig.1

Step 2 : Carefully turn upright the Bassinet cart (B). Put the Bassinet (A) into the Bassinet cart (B) (Fig.2). Assembly is complete (Fig. 3).

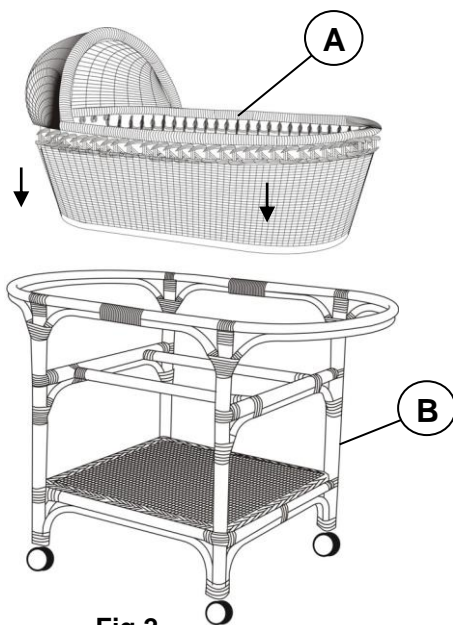


Fig.2



Fig.3

13-May-2024

5/5

Care Instructions:

- Dust often using a clean, soft, dry, lint-free cloth.
- Blot spills immediately, and wipe with a clean, damp cloth.
- We do not recommend the use of chemical cleansers, abrasives, or furniture polish on our lacquered finish.
- If the bassinet is to be stored, store in cool dry place and carefully package all original hardware to protect from loss or damage.
- Parents should ensure a safe environment for the child by checking the bassinet regularly that every component is properly and securely in place, before placing the child in the product.