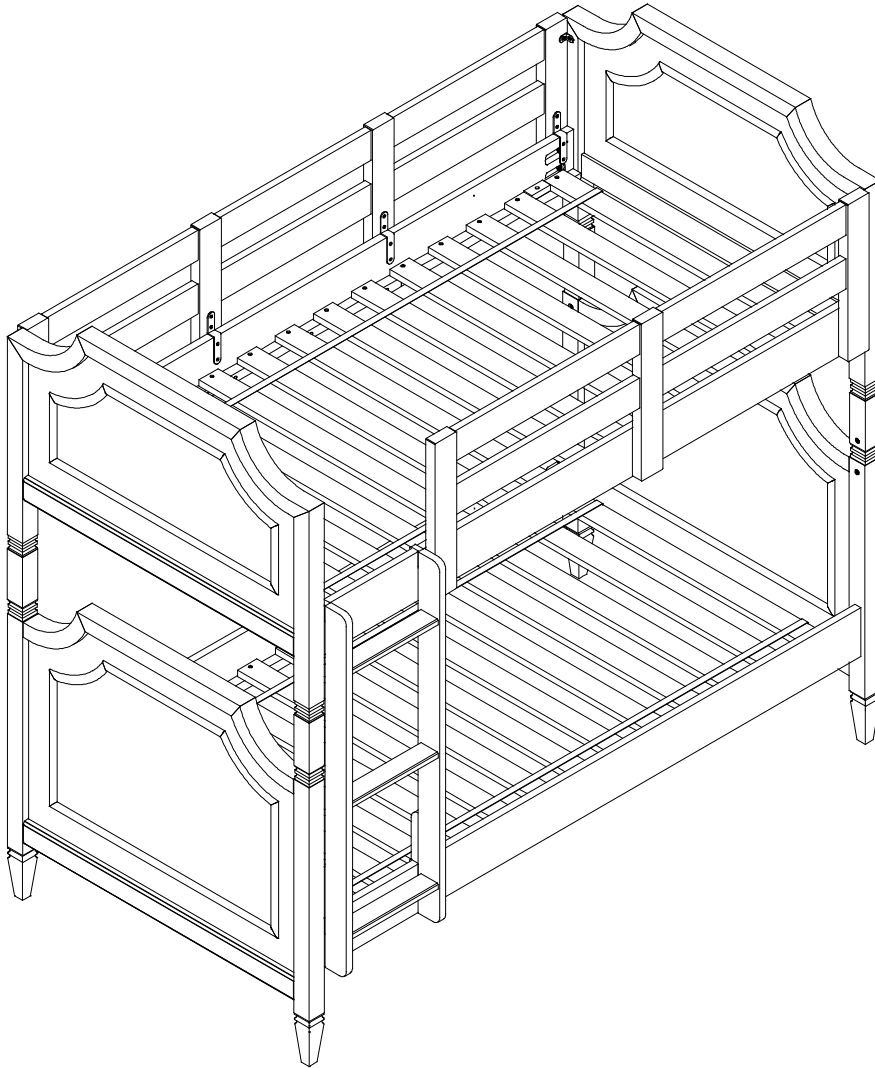


pottery barn kids



REGENCY BUNK BED TWIN OVER TWIN

www.potterybarnkids.com



WARNING: Failure to follow these warnings and assembly

instructions could result in serious injury or death. To help prevent serious or fatal injuries from entrapment or falls:

- Read all instructions before assembling bunk bed.
- Before each usage or assembly, inspect bunk bed for damaged hardware, loose joints, missing parts or sharp edges. DO NOT use bunk bed if any parts are missing or broken.
- DO NOT use substitute parts. Contact pottery barn kids for replacement parts and instructional literature if needed.
- Follow the information on the warnings appearing on the upper bunk end structure and on the carton. DO NOT REMOVE WARNING LABEL FROM BED.
- Always use the recommended size mattress or mattress support, or both, to help prevent the likelihood of entrapment or falls.
- Ensure thickness of mattress on upper bunk does not exceed 9 inches and the surface of mattress must be at least 5 inches (127 mm) below the upper edge of guardrails.
- Only use the 9" thickness mattress on the **lower bunk**.
- Ensure both upper and lower bunk are assembled to the highest position when using the product as a bunk bed.
- Use only mattress which is 74"-75" long and 37.5"-38.5" wide on upper and lower bunk.
- Do not allow children under 6 years of age to use the upper bunk.
- Periodically check and ensure that the guardrail, ladder, and other components are in their proper position, free from damage, and that all connectors are tight.
- Do not allow horseplay on or under the bed and prohibit jumping on the bed.
- Prohibit more than one person on the upper bunk.
- Always use the ladder for entering and leaving the upper bunk.
- Use of a night light may provide added safety precaution for a child using the upper bunk.
- Always use guardrails on both long sides of the upper bunk. If the bunk bed will be placed next to the wall, the guardrail that runs the full length of the bed should be placed against the wall to prevent entrapment between the bed and wall.
- The use of water or sleep flotation mattresses is prohibited.
- If refinishing, use a non-toxic finish specified for children's products. **STRANGULATION HAZARD** - Never attach or hang items to any part of the bunk bed that are not designed for use with the bed; for example, but not limited to, hooks, belts and jump ropes.
- This bunk bed meets the requirements of ASTM F1427-13.

KEEP THESE INSTRUCTIONS FOR FUTURE REFERENCE.

04-000044-7

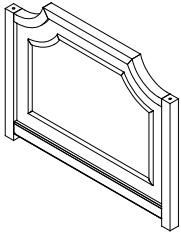
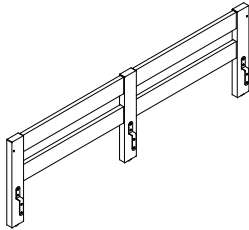
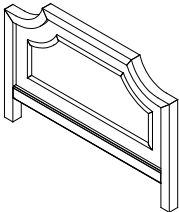
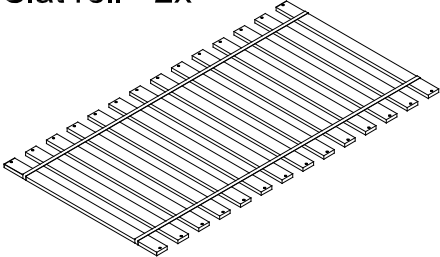
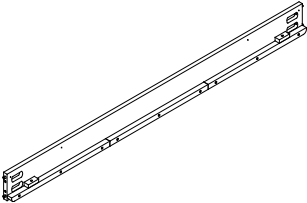


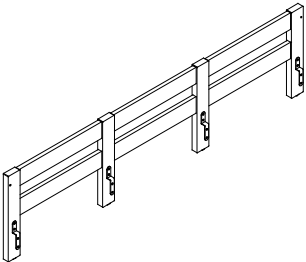
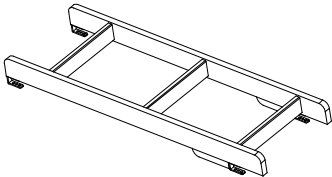
IMPORTANT SAFETY INSTRUCTIONS:

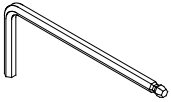
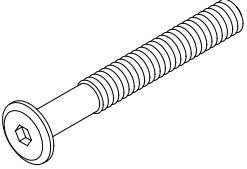
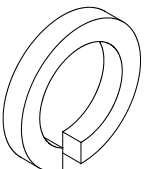
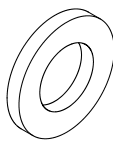
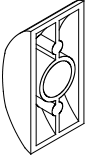
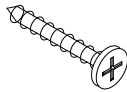
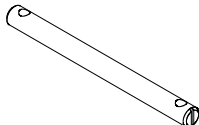
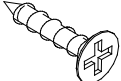
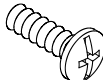
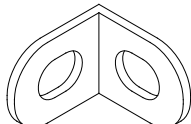
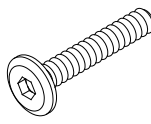

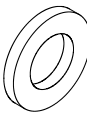
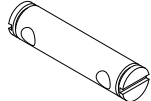
- Please read all instructions carefully before assembling.
- For your safety, assembly by two or more adults is strongly recommended.
- Keep instructions for future use.
- Use only vendor supplied hardware to assemble. Using unauthorized hardware could jeopardize the structural integrity of the item.

PRE-ASSEMBLY:

- Remove all parts and hardware from the box and lay out on a clear carpeted or scratch-free work surface, as this will avoid damaging parts during assembly. The shipping box provides an ideal work surface.
- Do not dispose of any packaging or contents of the shipping carton until assembly is completed to avoid accidentally discarding small parts or hardware.
- Use the parts and hardware lists below to identify and separate each of the pieces included.
- The illustrations provided allow for easier assembly when used in conjunction with the assembly instructions.
- The use of power tools to aid in assembly is not recommended. Power tools can damage hardware and split wood.
- DO NOT fully tighten all bolts until all parts are in place. Failure to follow these instruction may cause the bolts misalign during assembly.

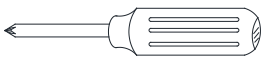
PARTS INCLUDED:

<p>(A) - Tall end Board- 2x</p> 	<p>(E) - Short Guard Rail-1x</p> 	
<p>(B) - Short end Board -2x</p> 	<p>(F) - Slat roll - 2x</p> 	
<p>(C) - Side rail - 4x</p> 	<p>(G) - Leg - 8x</p> 	<p>(H) - Connector - 4x</p> 
<p>(D) - Long Guard Rail-1x</p> 	<p>(I) - Ladder - 1x</p> 	

<p>(J) Allen Key with Ball Tip - 1x</p> 	<p>(K) Bolt 5/16" x 63mm – 16x</p> 	<p>(L) Spring Washer 5/16" – 16x</p> 	<p>(M) Flat Washer 5/16" – 16x</p> 
<p>(N) Half Moon Washer - 16x</p> 	<p>(O) Flat Head Wood Screw 8 x 30mm – 56x</p> 	<p>(P1) Long Connector Bolt 1/4" x Φ 10x112mm – 4x</p> 	<p>(Q) Flat Head Wood Screw - 25x</p> 
<p>(R) Machine Screw 5/32" x 16mm - 6x</p> 	<p>(S) Corner Bracket – 3x</p> 	<p>(T) Bolt 1/4" x 32mm – 8x</p> 	<p>(U) Spring Washer 1/4" - 8x</p> 
<p>(V) Flat Washer 1/4" - 8x</p> 	<p>(P2) Short Connector Bolt 1/4" x Φ 10x 41mm - 4x</p> 		

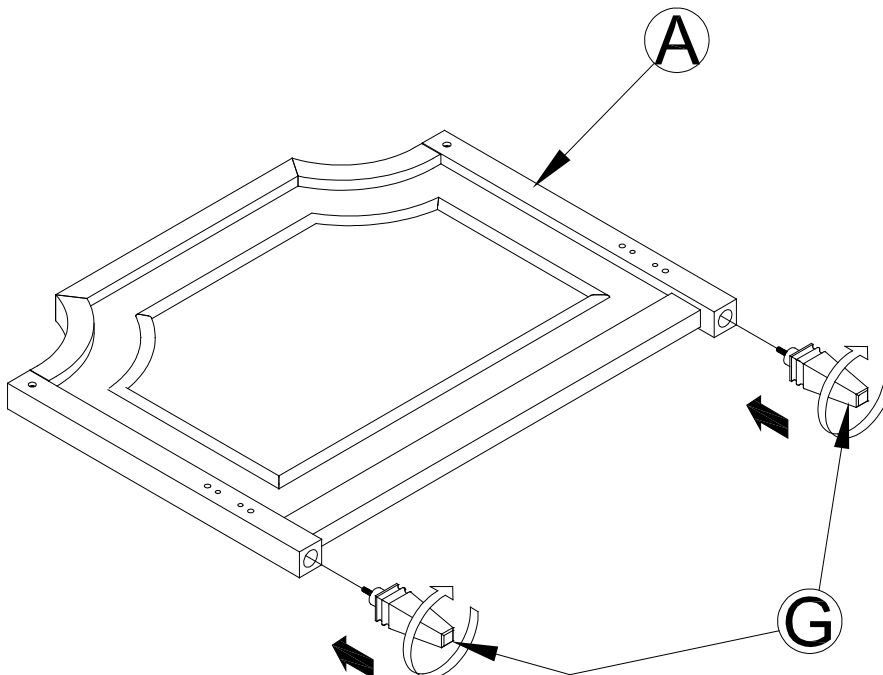
TOOLS REQUIRED (Not included):

Philips Head Screwdriver

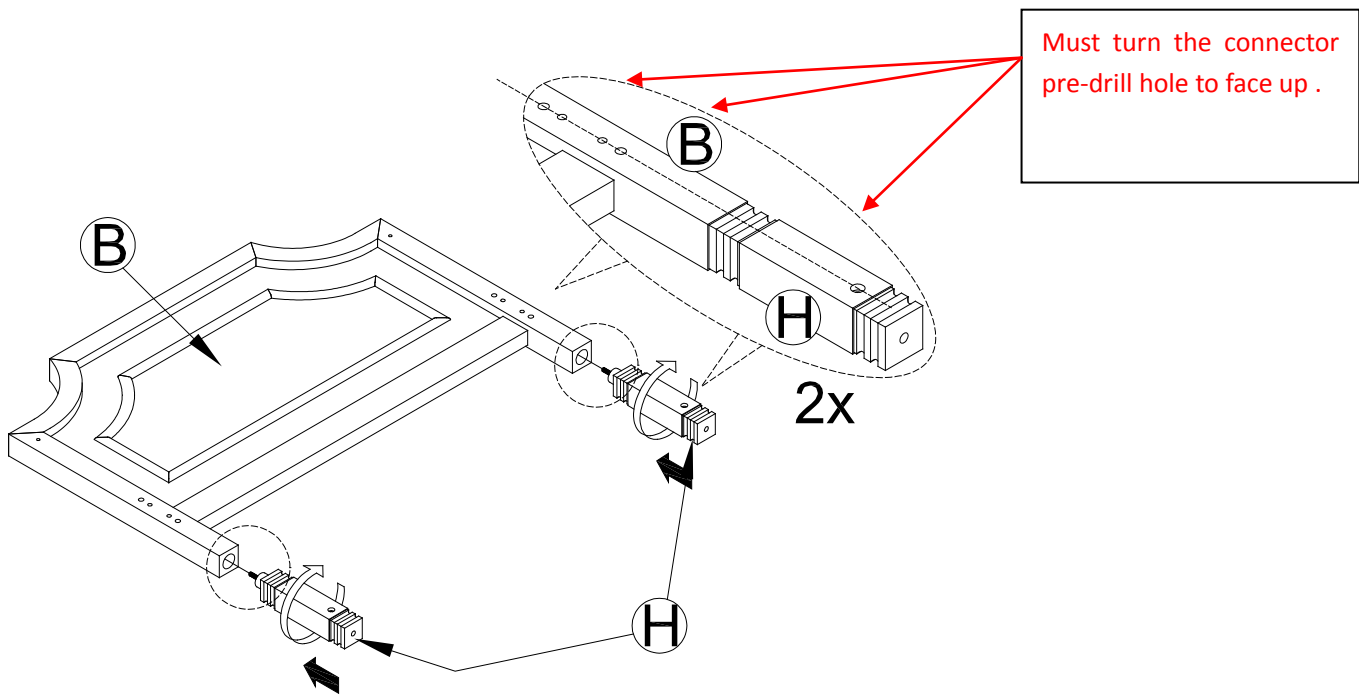


ASSEMBLY INSTRUCTION STEPS:

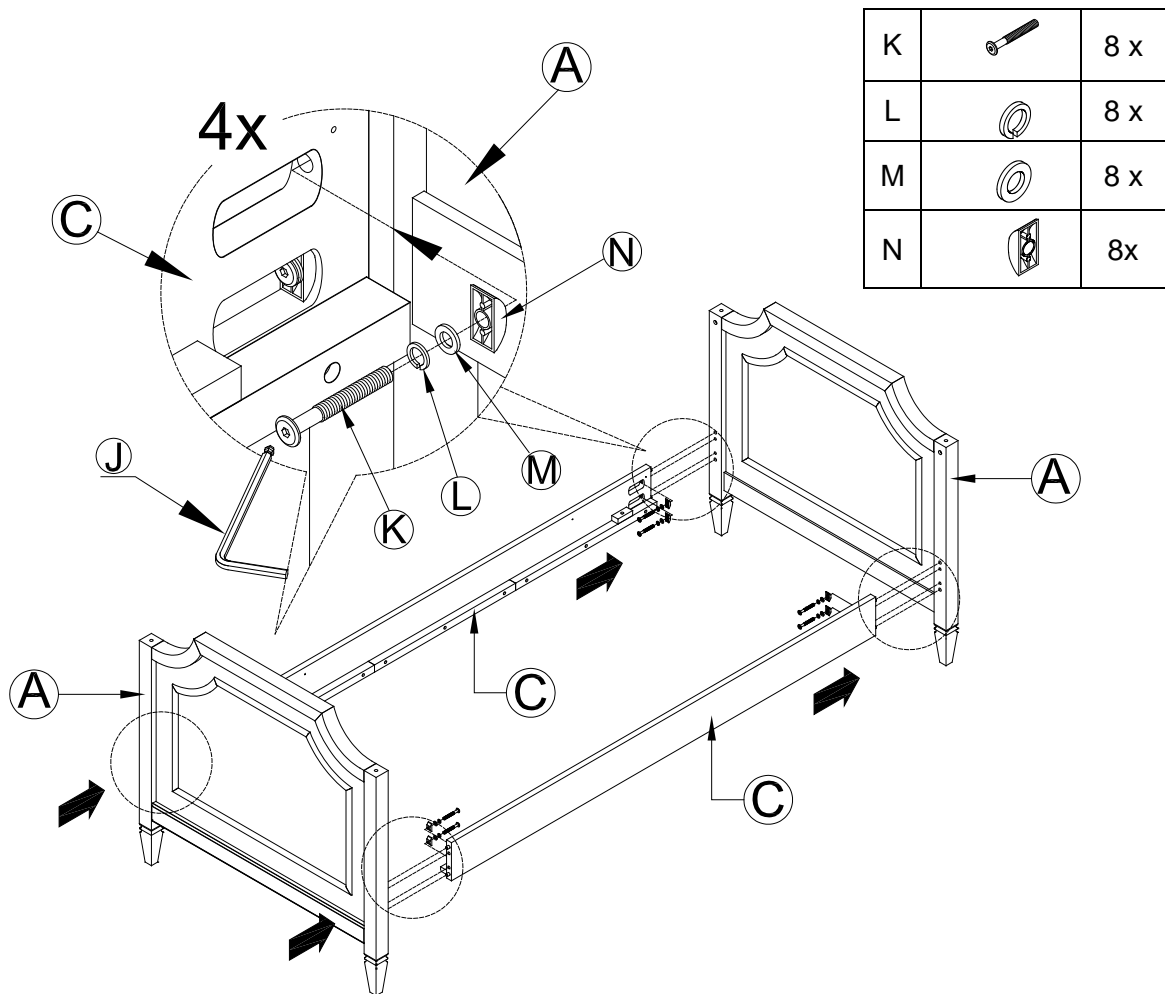
1. Insert (G) onto the cut-outs located on the bottom post of (A) until tighten, as shown below.



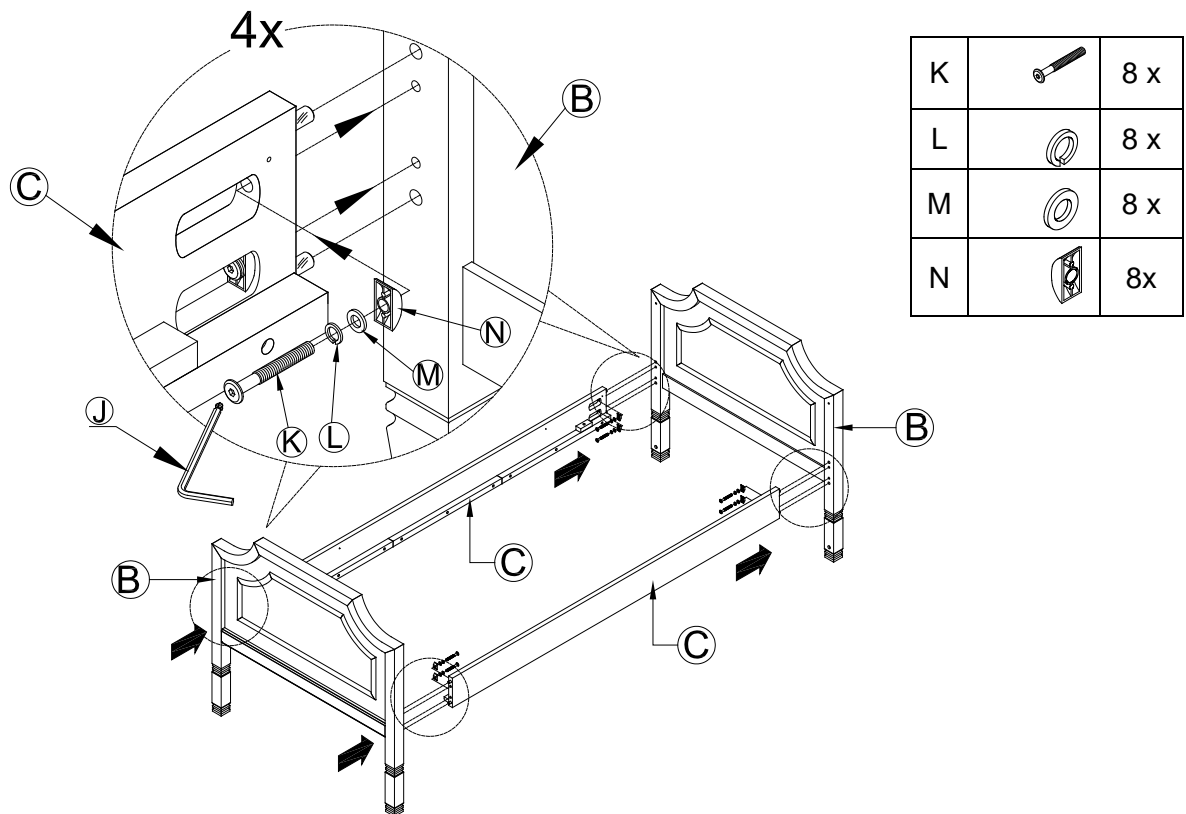
2. Insert (H) into the cut-outs located on the bottom post of (B) until tighten, as shown below.




3. Attach (C) to (A) by aligning pre-drill holes with wooden dowels as shown below. Tighten the bolts.

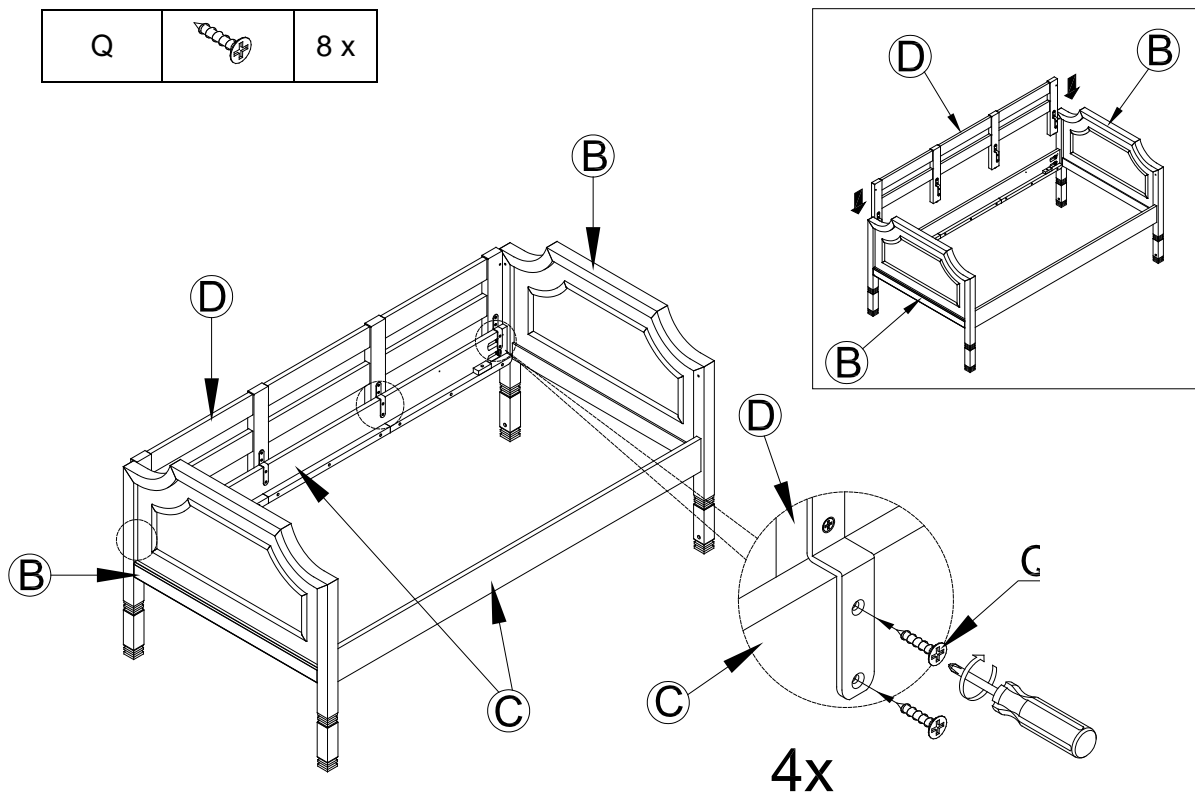


4. Attach (C) to (B) by aligning pre-drill holes with wooden dowels as shown below. Tighten the bolts.

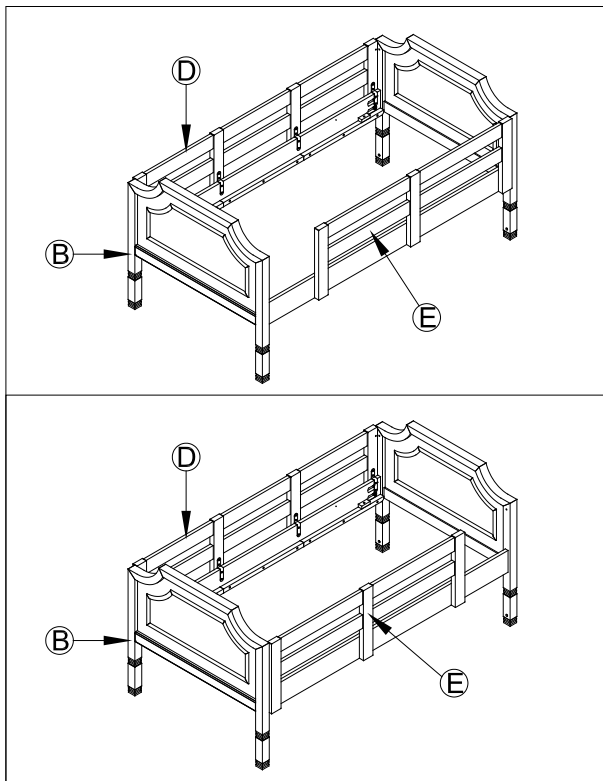


5. Attach (D) to (C). Make sure the brackets are facing inwards and sit well on top of the side rail, as shown below.


Q		8 x
---	-------------------------------------------------------------------------------------	-----

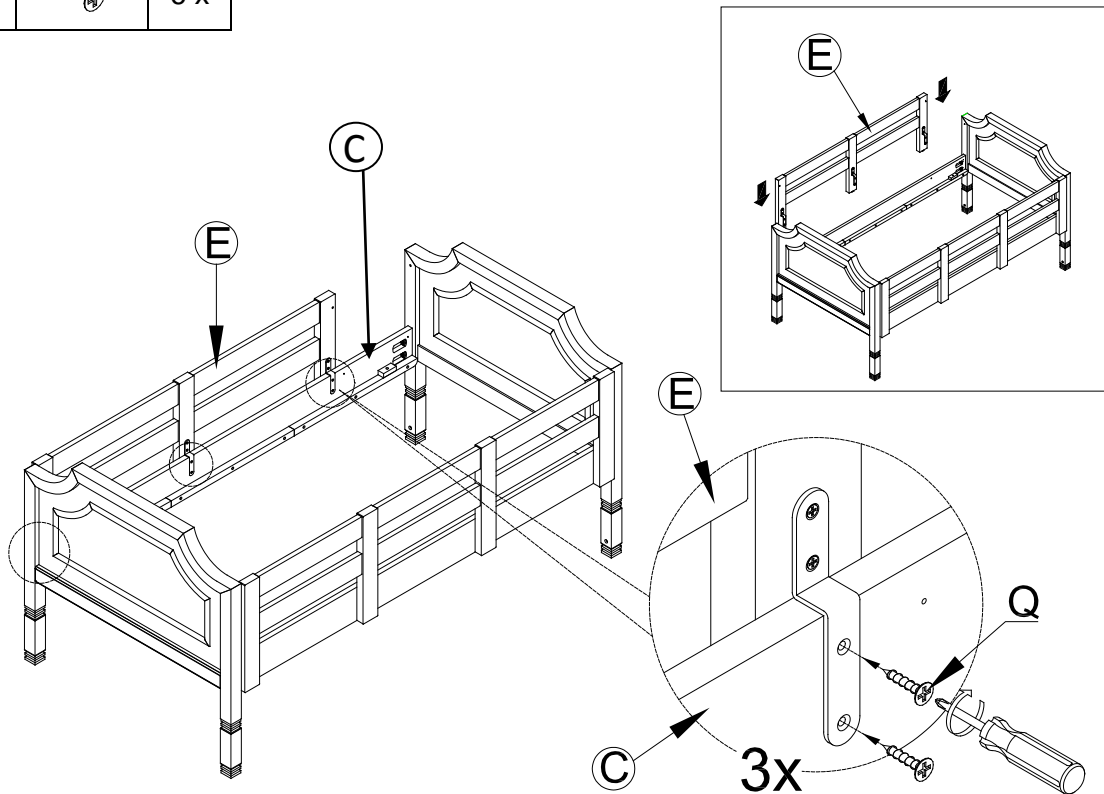


6. Determine the desired location of the ladder opening (use options below).





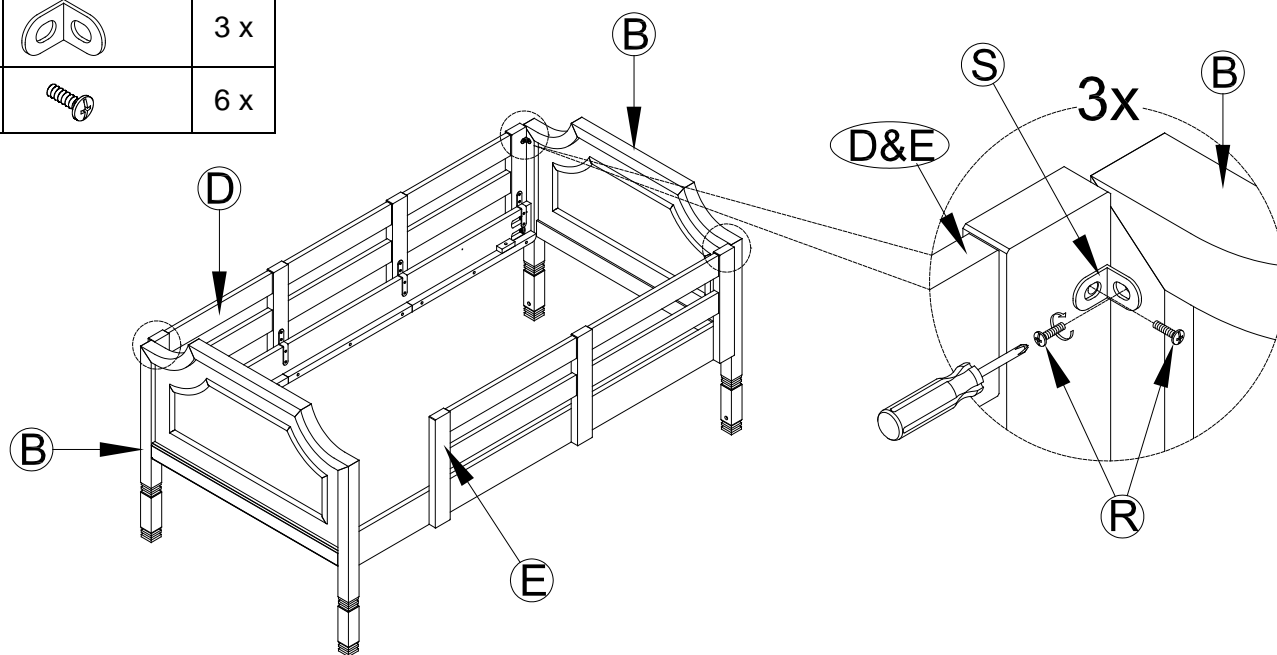
7. Attach (E) to (C). Make sure the brackets are facing inwards and sit well on top of the side rail and there is no gap in between the guardrail (E) end and the Short End Board (B) as shown below.

Q		6 x
---	-------------------------------------------------------------------------------------	-----

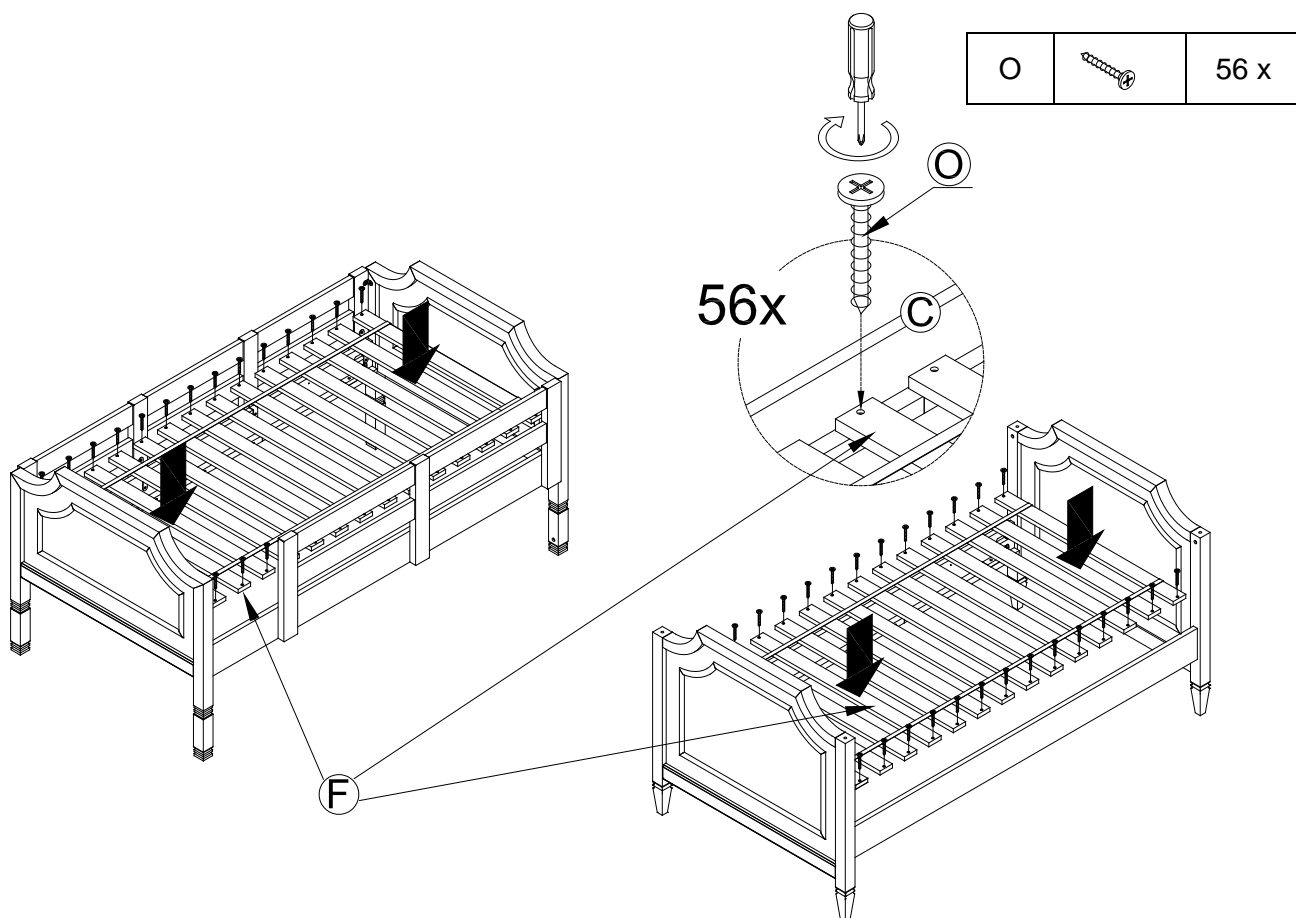


8. Attach (D) & (E) to (B) as shown below.




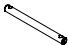
S		3 x
R		6 x

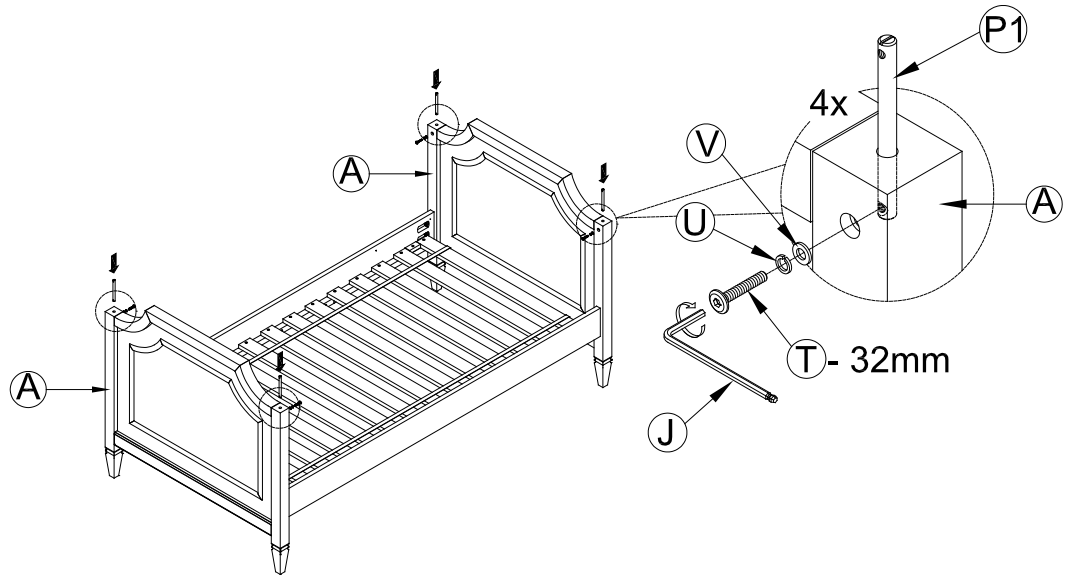


9. Extend and place the Slat Roll (F) to bed frames. Secure the slats as shown below.






10. Insert (P1) into pre-drilled holes on the top post of (A). Make sure the groove at the end of connecting Bolts (P1) is facing upwards as seen in the illustration below.

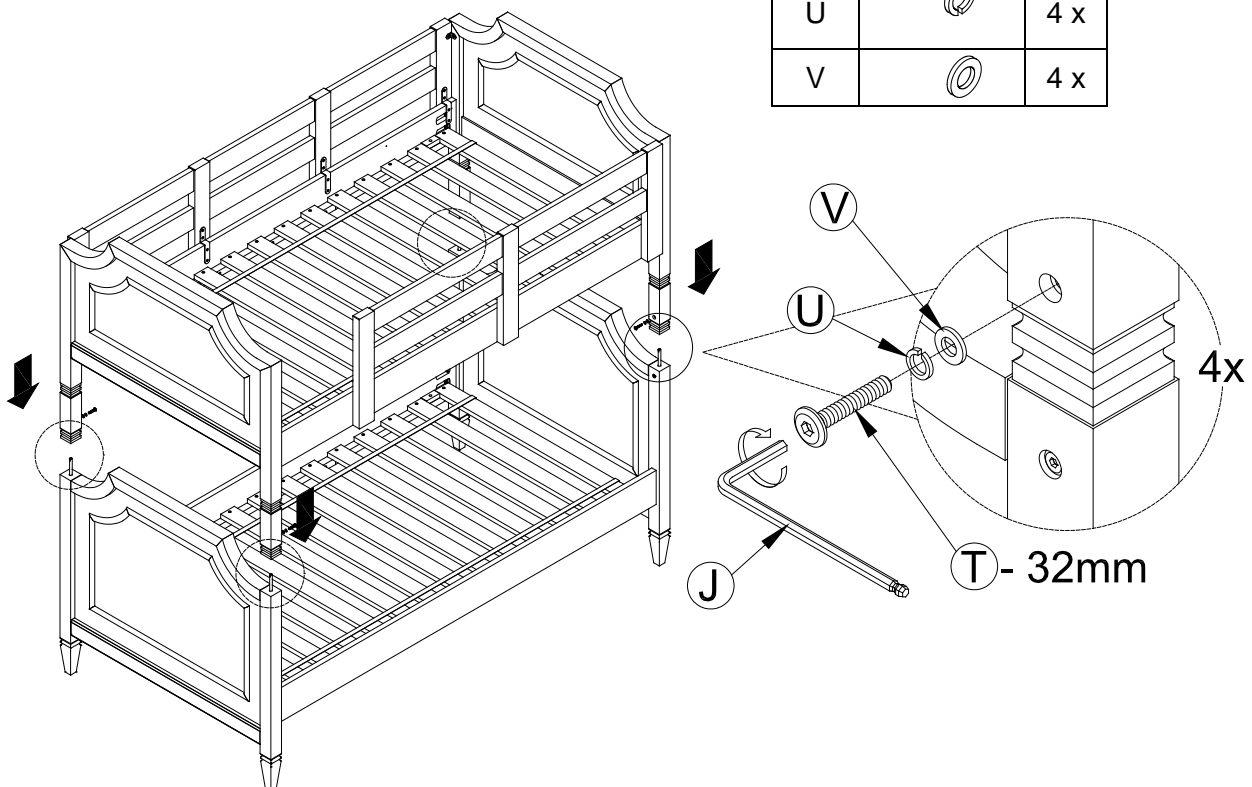
T		4 x
U		4 x
V		4 x
P1		4 x



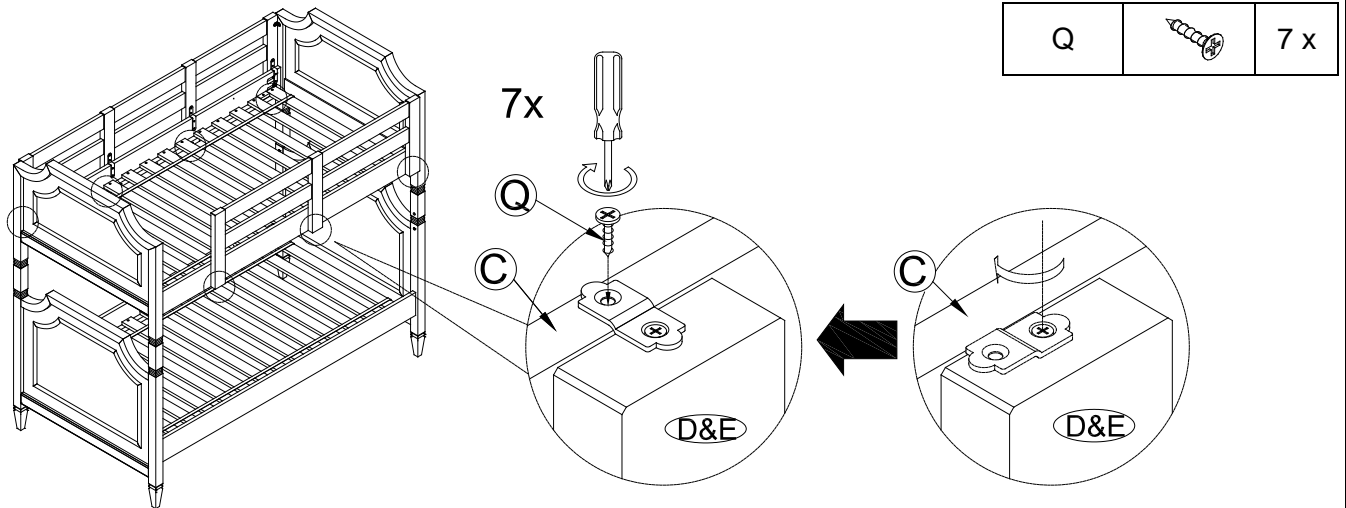
11. With the help of another person, lift the upper bed (with Short End Boards) and place over the bottom bed. Make sure the Connecting bolts (P1) are well inserted into the holes on bottom of upper bed posts.

12. Attach upper and lower bunk as shown below.

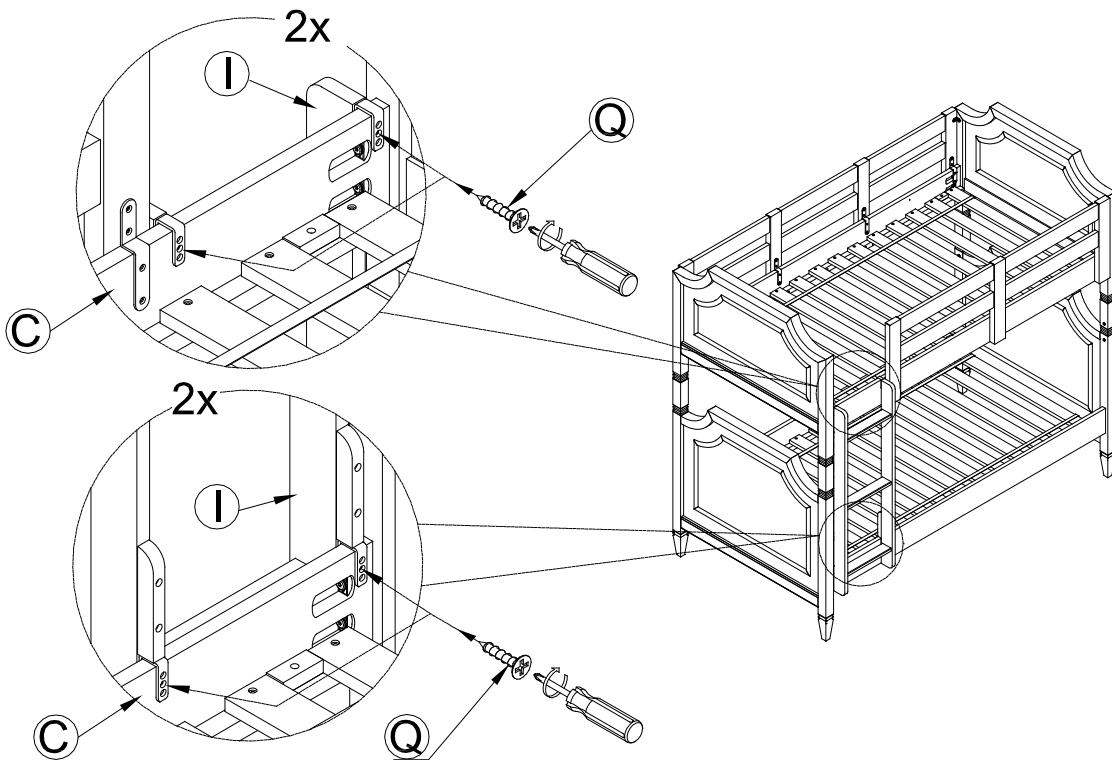
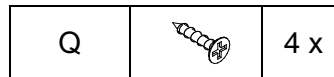
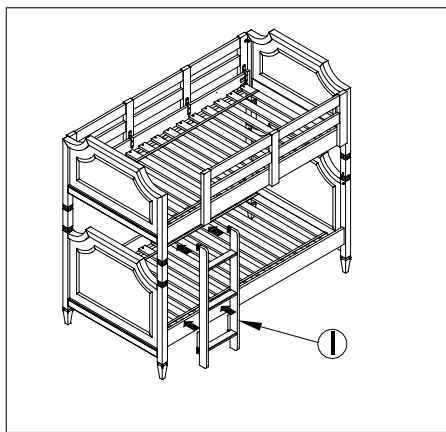
T		4 x
U		4 x
V		4 x



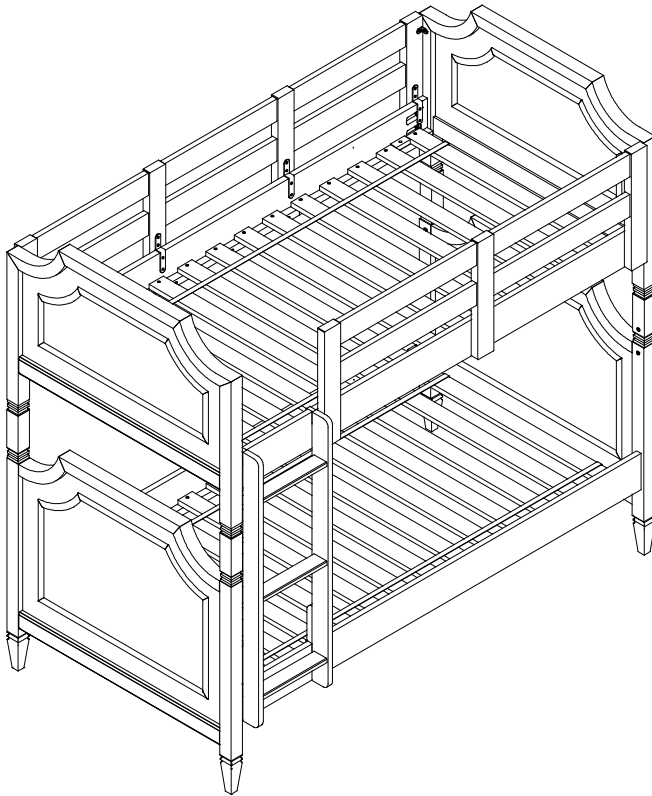
13. Turn (Q) on the bottom of the guardrails in correct locations. Secure guardrails (E &F) and side rails (C) together, as shown below .



14. Attach the Ladder (I) to bunk bed as shown below.

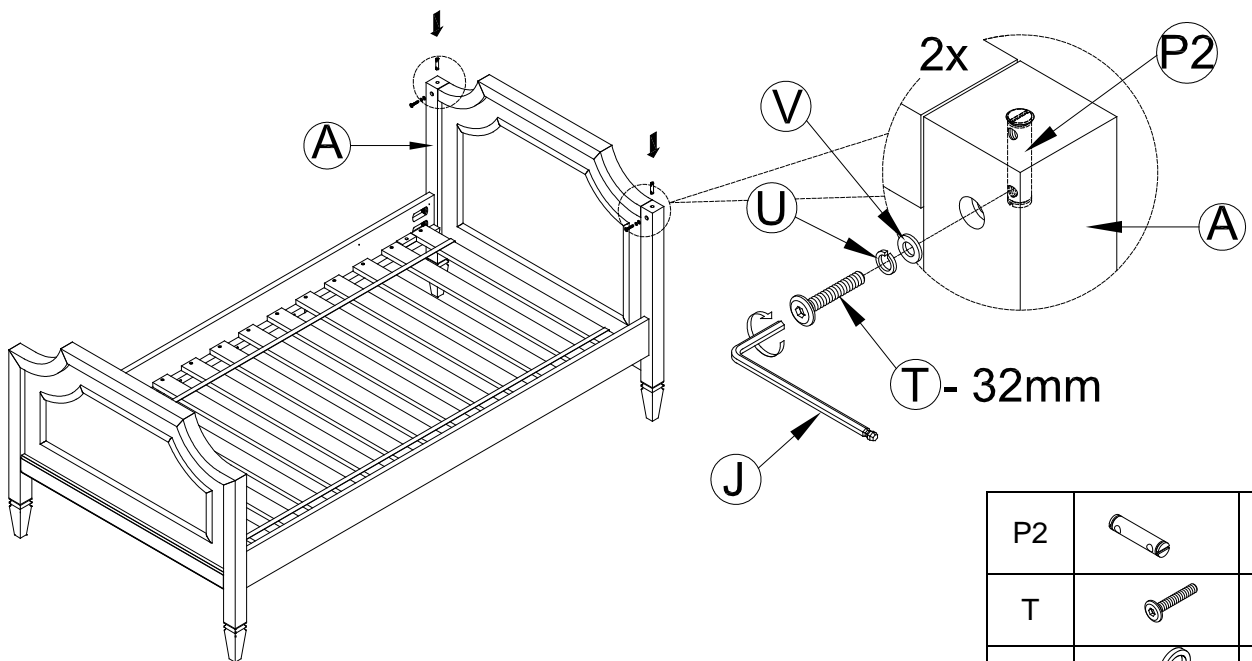


15. Assembly now is completed.



16. To convert the bunk bed into two twin beds, use Tall End Boards (A) as head boards and Short End Boards (B) as foot boards.

- a. Assemble beds following instructions in steps 1 - 4.
- b. Assemble slats following instructions in step 9.
- c. Insert (2x) Short Connecting Bolt (P2) into top of posts of each twin bed assembly. Tighten (P2) by bolt (T), as seen in the illustration below.



P2		2x
T		2 x
U		2 x
V		2 x

CARE INSTRUCTIONS:

- Dust often using a clean, soft, dry, lint-free cloth.
- Blot spills immediately, and wipe with a clean, damp cloth.
- We do not recommend the use of chemical cleansers, abrasives, or furniture polish on our lacquered finish.
- If the product is to be stored, store in cool dry place and carefully package all original hardware to protect from loss or damage.
- Check fasteners periodically for tightness. **DO NOT** over tighten, as this may cause distortion or breakage.
- Parents should ensure a safe environment for the child by checking the crib regularly that every component is properly and securely in place, before placing the child in the product.

Thank you for your purchase
Stores | catalog | www.potterybarnkids.com
USA 1.800.290.8181