

pottery barn kids

CAROLINA ACTIVITY CARTS

Please read this assembly instruction carefully before beginning assembly.
Please also retain this instruction for future reference.

TOOLS NEEDED:

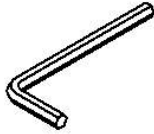
- Allen Wrench (Included)
- Phillips Head screwdriver (Not included)

PART LISTS:

(A) 1 Allen Wrench

(B) 8 Allen Bolt

(C) 16 Phillip Head Screw

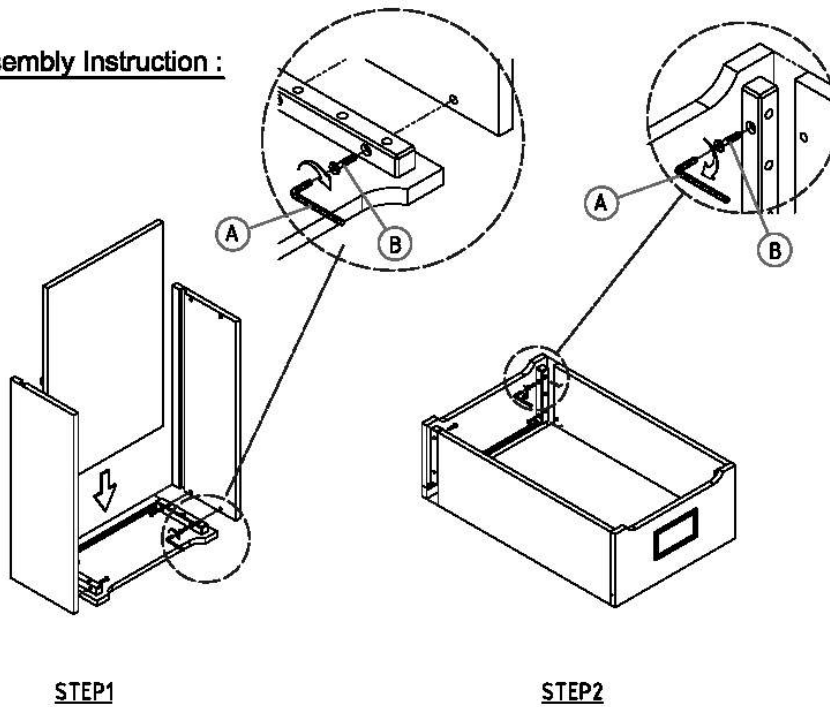


(D) 2 Fixed Wheel Castors

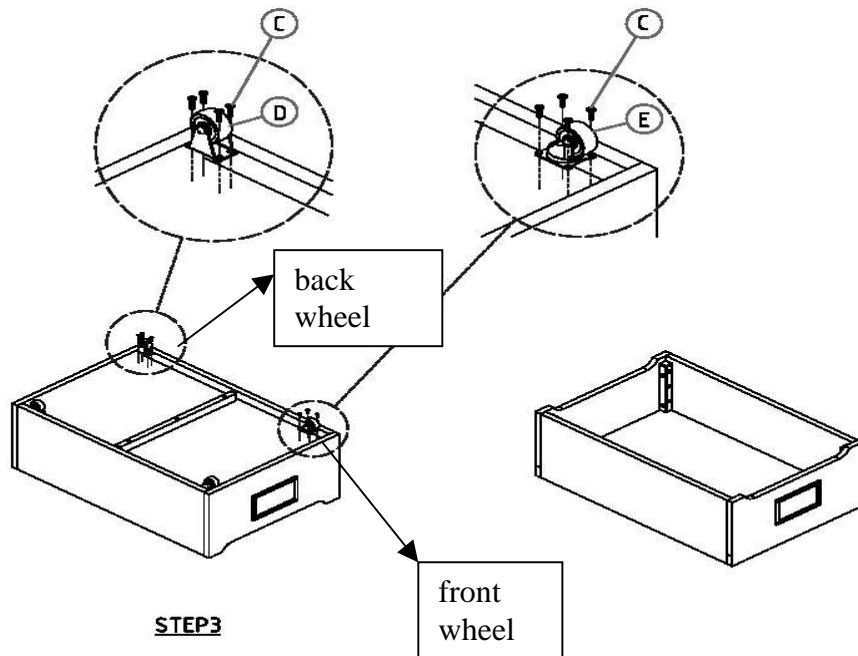
(E) 2 Swivel Castors



Assembly Instruction :



1. Lay back of the cart on the soft surface and attach the side panel aligning the slot for the base insert, using Allen Wrench (A) to tighten Allen Bolt (B) loosely as shown. Repeat the same step on the other side prior to inserting the base panel.
2. Attach the Black Board Front Panel and tighten with Allen Bolt (B) using the Allen Wrench (A). Tighten up all Phillips Screws (B) firmly.



3. Turn the Cart upside down on a soft surface. Attach swivel castors (E) in the front, fixed wheel castors in the back of the cart, then tighten up with Phillips screws (C) using screw driver (not included).

CARE:

Dust often using a dry, soft cloth.

Thank you for your purchase.
stores | catalog | www.potterybarnkids.com